

MATERIAL NUMBER		CKT SIZE	DESCRIPTION	POL	COLOR
TRAY PACKAGING PK-31300-892	TUBE PACKAGING PK-31301-063				
34691-0200	34691-9200	20	STAC64 RIGHT ANGLE HEADER ASSEMBLY	A	BLACK
34691-0201	34691-9201	20	STAC64 RIGHT ANGLE HEADER ASSEMBLY	B	GREY
34691-0202	34691-9202	20	STAC64 RIGHT ANGLE HEADER ASSEMBLY	C	BROWN
34691-0203	34691-9203	20	STAC64 RIGHT ANGLE HEADER ASSEMBLY	D	GREEN
34691-0160	34691-9160	16	STAC64 RIGHT ANGLE HEADER ASSEMBLY	A	BLACK
34691-0161	34691-9161	16	STAC64 RIGHT ANGLE HEADER ASSEMBLY	B	GREY
34691-0162	34691-9162	16	STAC64 RIGHT ANGLE HEADER ASSEMBLY	C	BROWN
34691-0120	34691-9120	12	STAC64 RIGHT ANGLE HEADER ASSEMBLY	A	BLACK
34691-0121	34691-9121	12	STAC64 RIGHT ANGLE HEADER ASSEMBLY	B	GREY
34691-0122	34691-9122	12	STAC64 RIGHT ANGLE HEADER ASSEMBLY	C	BROWN
34691-0080	34691-9080	8	STAC64 RIGHT ANGLE HEADER ASSEMBLY	A	BLACK
34691-0081	34691-9081	8	STAC64 RIGHT ANGLE HEADER ASSEMBLY	B	GREY
34691-0082	34691-9082	8	STAC64 RIGHT ANGLE HEADER ASSEMBLY	C	BROWN

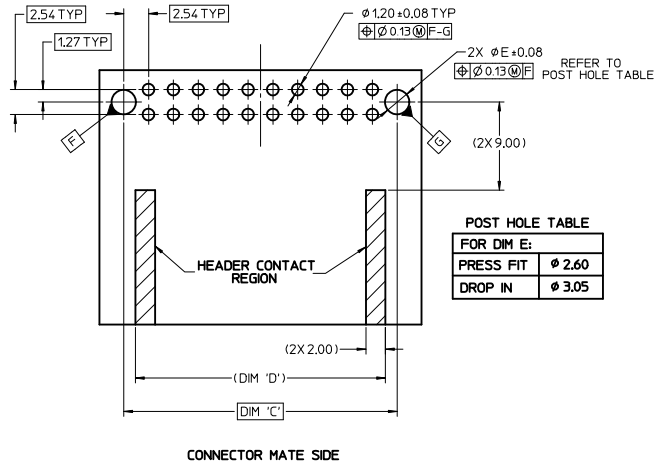
NOTES: VALID UNLESS OTHERWISE SPECIFIED

1. GENERAL:
  - a. CONNECTOR HEADER MUST BE VALIDATED TO THE FOLLOWING FUNCTIONAL REQUIREMENTS:
    - POLARIZATION FEATURE EFFECTIVENESS - SEE PRODUCT SPECIFICATION
    - PIN RETENTION - USCAR-2 REV 4
    - SOLDERABILITY - SMES-152
  - b. APPLICATION REQUIREMENTS (REFERENCE ONLY) FOR:
    - SEE APPLICATION SPECIFICATION - AS-34729-020
    - SEE PRODUCT SPECIFICATION - PS-34729-020
  - c. PACKAGING SPECIFICATION: SEE CHART
2. DESIGN: MATERIALS:
  - a. SHROUD (PLASTIC HOUSING):
    - RESIN - SPS 30%GF - 20% REGRIND MAX. BY WEIGHT
  - b. 0.64MM PINS:
    - BASE MATERIAL: C26000
    - PLATING TYPE: AS NOTED
  - c. PIN ALIGNMENT PLATE: MYLAR
3. PLATING REQUIREMENTS:
  - a. UNDERPLATING - OVERALL NICKEL
  - b. OVERPLATING - OVERALL TIN

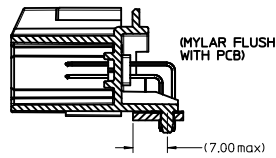
<b>UPDATED DIMENSIONS</b> IEC NO: UAU2011-0361 DRAWN BY: CHYK APPR: SMARCEAU DATE: 2010/11/04	<b>QUALITY SYMBOLS</b> 	<b>GENERAL TOLERANCES (UNLESS SPECIFIED)</b> <table border="1"> <tr><th></th><th>mm</th><th>INCH</th></tr> <tr><td>4 PLACES ±</td><td>0.13</td><td>0.005</td></tr> <tr><td>3 PLACES ±</td><td>0.25</td><td>0.010</td></tr> <tr><td>2 PLACES ±</td><td>0.38</td><td>0.015</td></tr> <tr><td>1 PLACE ±</td><td>0.51</td><td>0.020</td></tr> </table>		mm	INCH	4 PLACES ±	0.13	0.005	3 PLACES ±	0.25	0.010	2 PLACES ±	0.38	0.015	1 PLACE ±	0.51	0.020	<b>DIMENSION STYLE</b> MM ONLY	<b>SCALE</b> 2:1	<b>DESIGN UNITS</b> METRIC	<b>THIRD ANGLE PROJECTION</b> 
		mm	INCH																		
	4 PLACES ±	0.13	0.005																		
	3 PLACES ±	0.25	0.010																		
2 PLACES ±	0.38	0.015																			
1 PLACE ±	0.51	0.020																			
<b>DRAFT WHERE APPLICABLE MUST REMAIN WITHIN DIMENSIONS</b>	<b>DRAWN BY</b> MBAILEY	<b>DATE</b> 10/02/06	<b>TITLE</b> STAC64 SINGLE BAY RIGHT ANGLE ASSEMBLY SALES DRAWING	<b>MATERIAL NO.</b> SEE CHART	<b>DOCUMENT NO.</b> SD-34691-100																
	<b>CHECKED BY</b> EDILLON	<b>DATE</b> 04/18/07	<b>APPROVED BY</b> SMARCEAU	<b>DATE</b> 2010/11/04	<b>SHEET NO.</b> 1 OF 2	<b>MOLEX INCORPORATED</b>															
	THIS DRAWING CONTAINS INFORMATION THAT IS PROPRIETARY TO MOLEX INCORPORATED AND SHOULD NOT BE USED WITHOUT WRITTEN PERMISSION																				

CKT SIZE	DIM 'A'	DIM 'B'	DIM 'C'	DIM 'D'
20	34.04	31.57	27.94	25.54
16	28.96	26.49	22.86	20.46
12	23.88	21.41	17.78	15.38
8	18.80	16.53	12.70	10.30

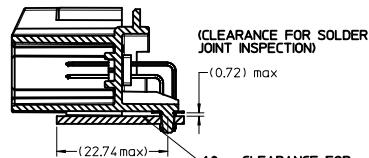
### RECOMMENDED PCB LAYOUT



POST HOLE TABLE	
FOR DIM E:	
PRESS FIT	$\phi 2.60$
DROP IN	$\phi 3.05$

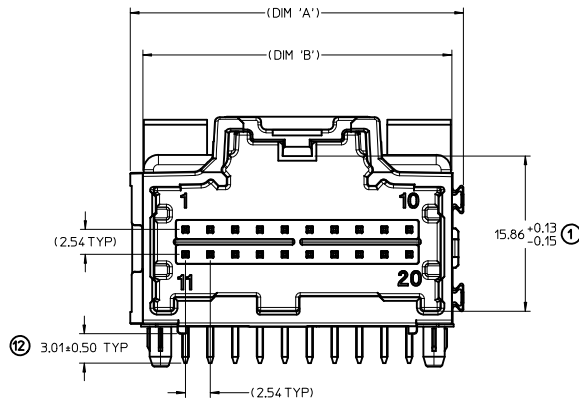


PANEL MOUNTING:  
HEADER-TO-PCB  
SCALE 2:1

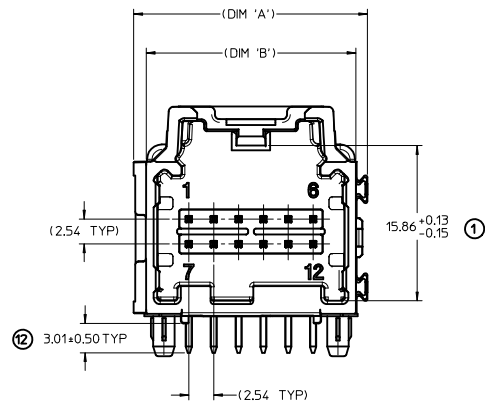


FLUSH MOUNTING:  
HEADER-TO-PCB  
SCALE 2:1

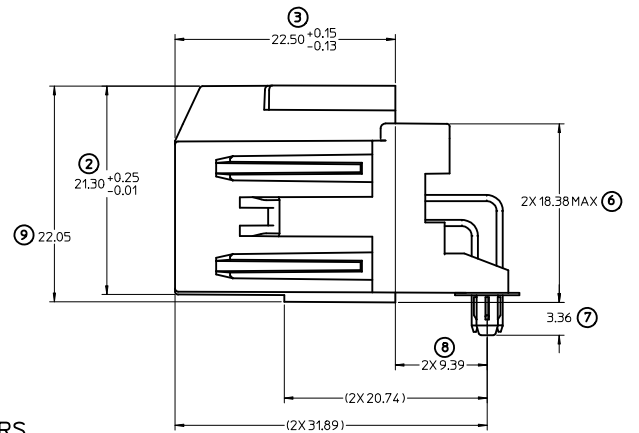
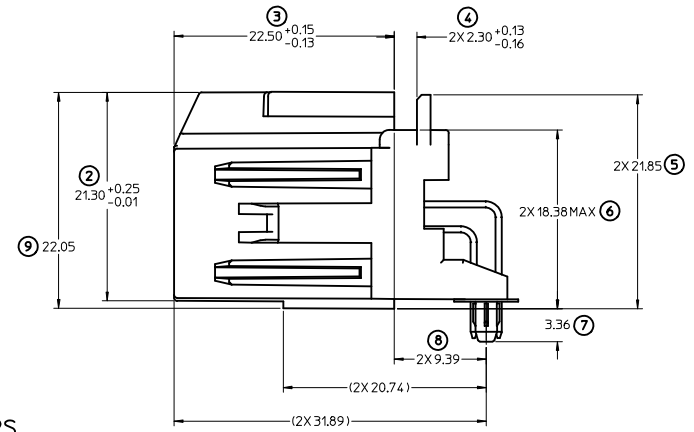
\* RECOMMENDED FOR PIN THROUGH PASTE REFLOW PROCESSING \*



LAYOUT FOR 16 & 20 CKT. HEADERS  
(20 CKT. OPTION 'A' SHOWN)



LAYOUT FOR 8 & 12 CKT. HEADERS  
(12 CKT. OPTION 'A' SHOWN)



REV	DESCRIPTION	DATE	DRAWN BY	DATE	CHECKED BY	DATE	APPROVED BY	DATE	GENERAL TOLERANCES (UNLESS SPECIFIED)		DIMENSION STYLE		SCALE	DESIGN UNITS	THIRD ANGLE PROJECTION					
									mm	INCH	MM ONLY	INCH								
03	UPDATED DIMENSIONS	2010/11/03	MBAILEY	10/02/06	CDILLON	04/18/07	SMARCEAU	2010/11/04		4 PLACES ± 0	3 PLACES ± 0.13	2 PLACES ± 0.25	1 PLACE ± 0.25	ANGULAR ± 3°	DRAFT WHERE APPLICABLE MUST REMAIN WITHIN DIMENSIONS	SEE CHART	MATERIAL NO.	DOCUMENT NO.	TITLE	SHEET NO.
																			STAC64 SINGLE BAY RIGHT ANGLE ASSEMBLY SALES DRAWING	2 OF 2
																			MOLEX INCORPORATED	SD-34691-100