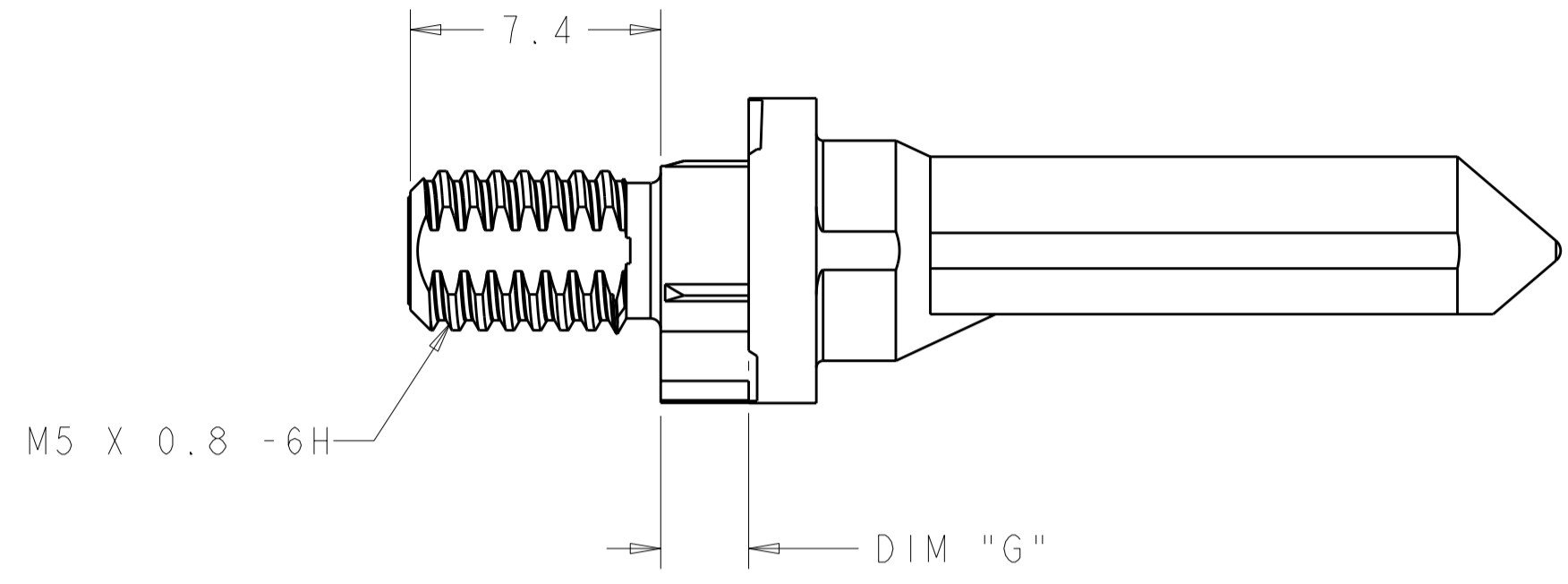
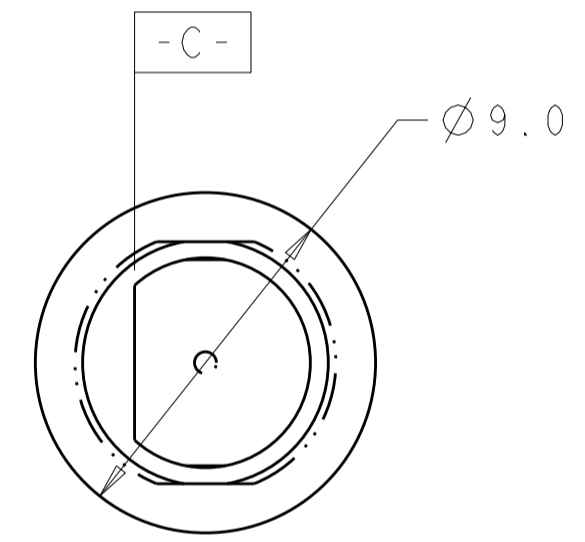
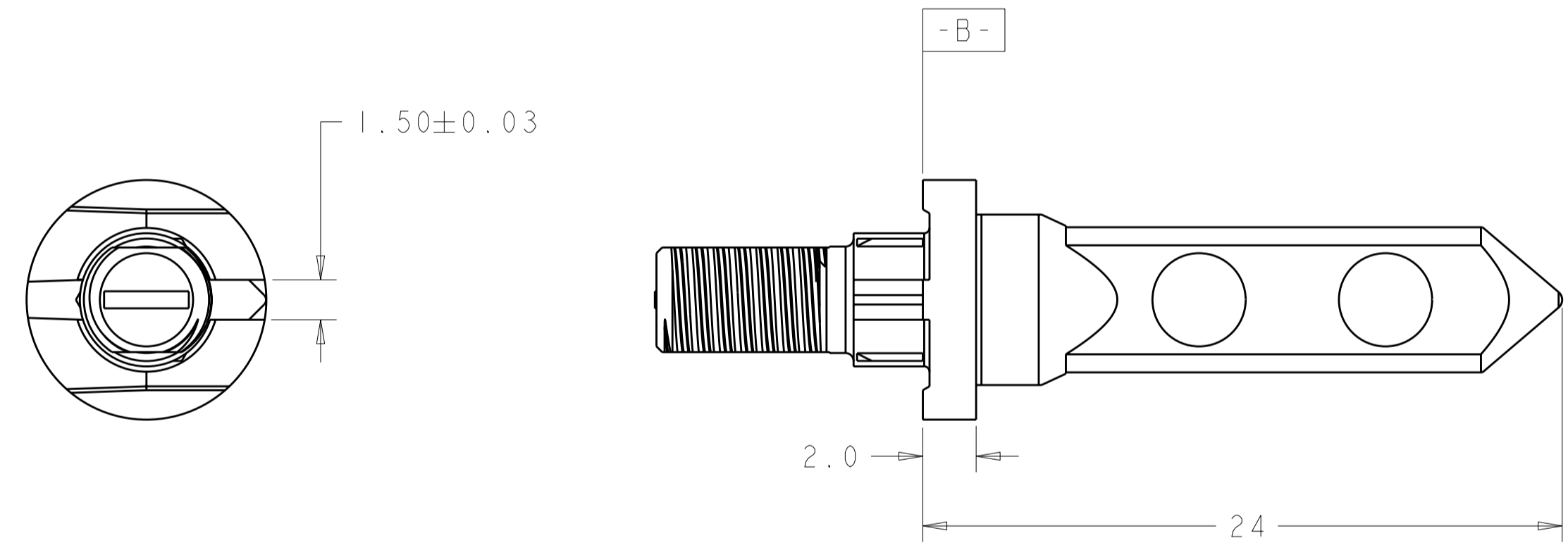


THIS DRAWING IS UNPUBLISHED. RELEASED FOR PUBLICATION 20  
 © COPYRIGHT 20 BY - ALL RIGHTS RESERVED.

LOC	DIST	REVISIONS					
CG	00	P	LTR	DESCRIPTION	DATE	DWN	APVD
			B2	REVISED PER ECO-11-005027	14MAR2011	RK	HMR



- 1 MATERIAL: ZINC ALLOY
- 2 OBSOLETE PART NUMBER
- 3 KEY HOLE ORIENTATION (DIM A) PER MATING GUIDE MODULE PART NUMBER TABLE (ORIENTATION SHOWN ON PCB LAYOUT IS FOR 1469492-2)
- 4 ANNULAR RING PLATED AROUND GUIDE PIN MOUNTING HOLE ON TOP AND BOTTOM SIDE OF BOARD
- 5 FINISH:  
3.81µm MINIMUM SILVER IN CONTACT AREA  
OVER NICKEL OVER COPPER ALL OVER

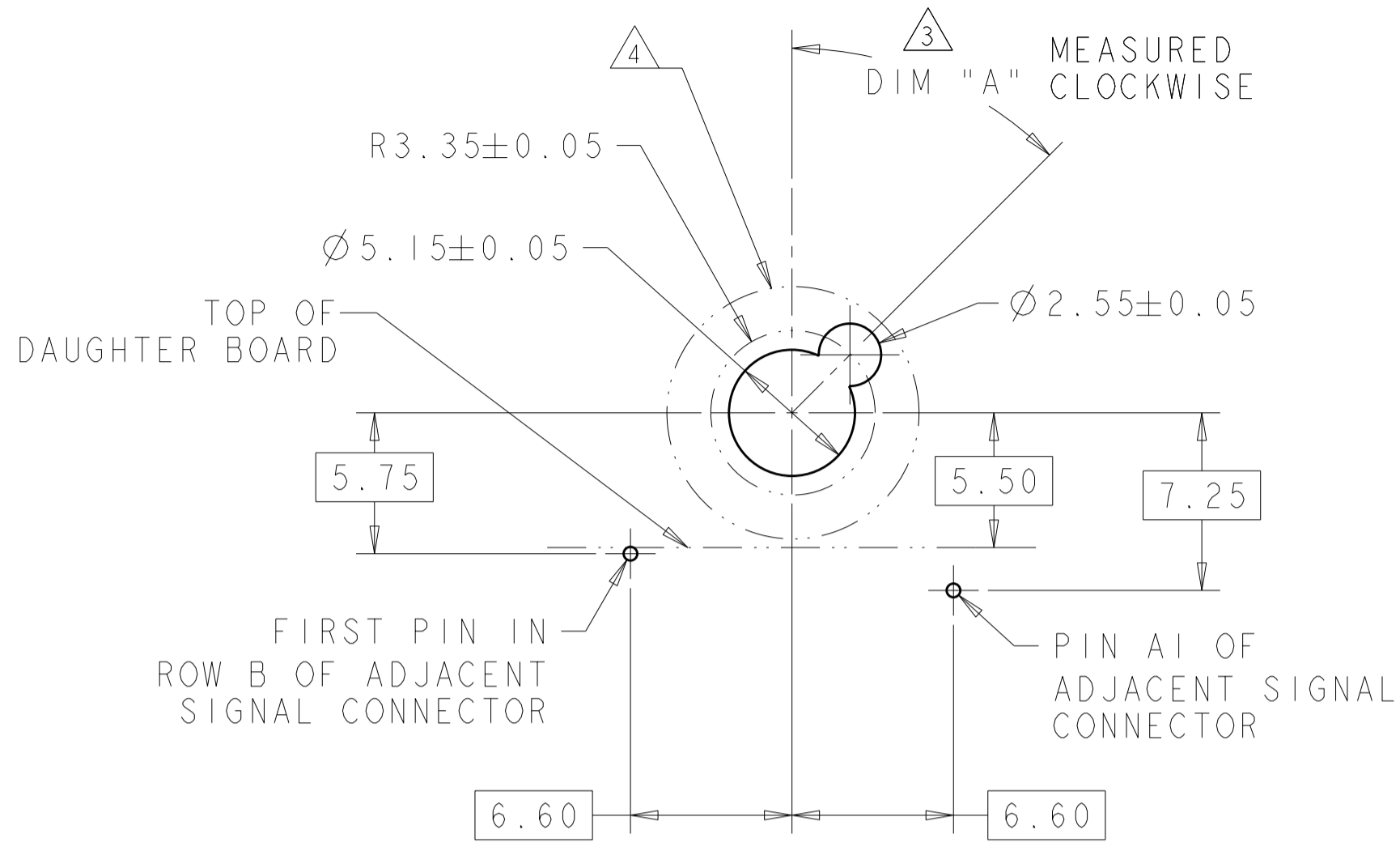


FINISH	DIM "G"	PART NUMBER
-	5.70	2-1469491-4 2
-	4.20	2-1469491-3 2
-	2.60	2-1469491-2 2
5	5.70	1-1469491-4
5	4.20	1-1469491-3
5	2.60	1-1469491-2
-	5.70	1469491-4 2
-	4.20	1469491-3 2
-	2.60	1469491-2 2

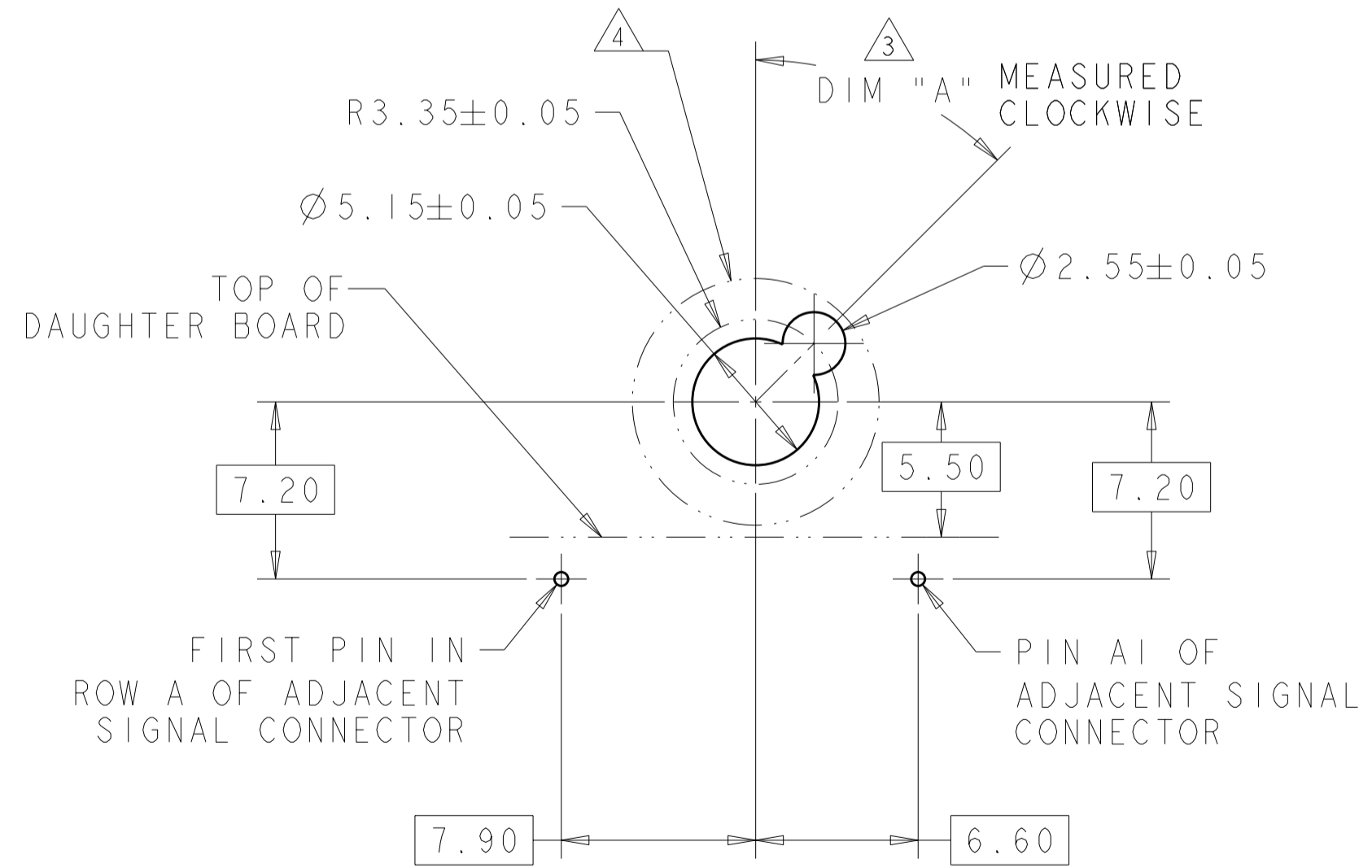
THIS DRAWING IS A CONTROLLED DOCUMENT.		DWN R.TREA 24FEB2004	<b>STE</b> TE Connectivity	
DIMENSIONS: mm		CHK B.PATERSON 24FEB2004		
TOLERANCES UNLESS OTHERWISE SPECIFIED:		APVD G.GRIFFITH 24FEB2004	NAME KEYED GUIDE PIN, DIE CAST BACKPLANE CONNECTOR, MULTIGIG, THREADED POST	
0 PLC ±		PRODUCT SPEC 108-2072	SIZE CAGE CODE DRAWING NO RESTRICTED TO	
1 PLC ±0.5		APPLICATION SPEC 114-13056	A200779C-1469491	
2 PLC ±.13		WEIGHT -	SCALE 5:1 SHEET 1 OF 2 REV B2	
3 PLC ±0.013		CUSTOMER DRAWING		
4 PLC ±				
ANGLES ±				
FINISH				

THIS DRAWING IS UNPUBLISHED. RELEASED FOR PUBLICATION 20  
 © COPYRIGHT 20 BY - ALL RIGHTS RESERVED.

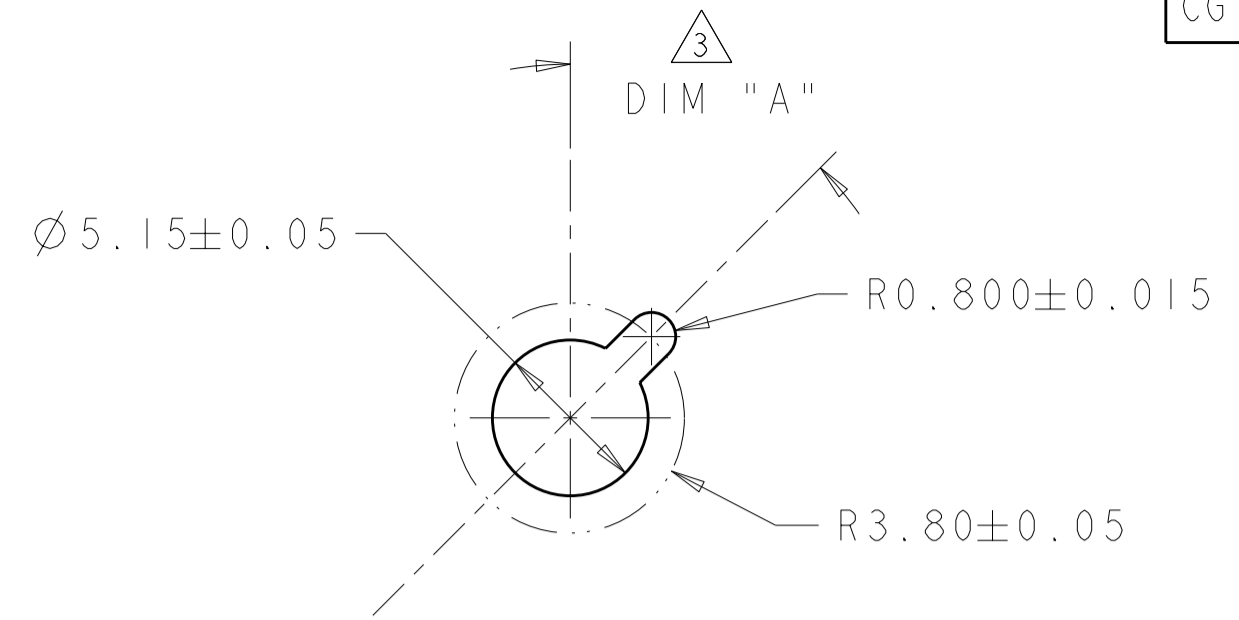
LOC	DIST	REVISIONS			
P	LTR	DESCRIPTION	DATE	DWN	APVD
CG	00	SEE SHEET 1			



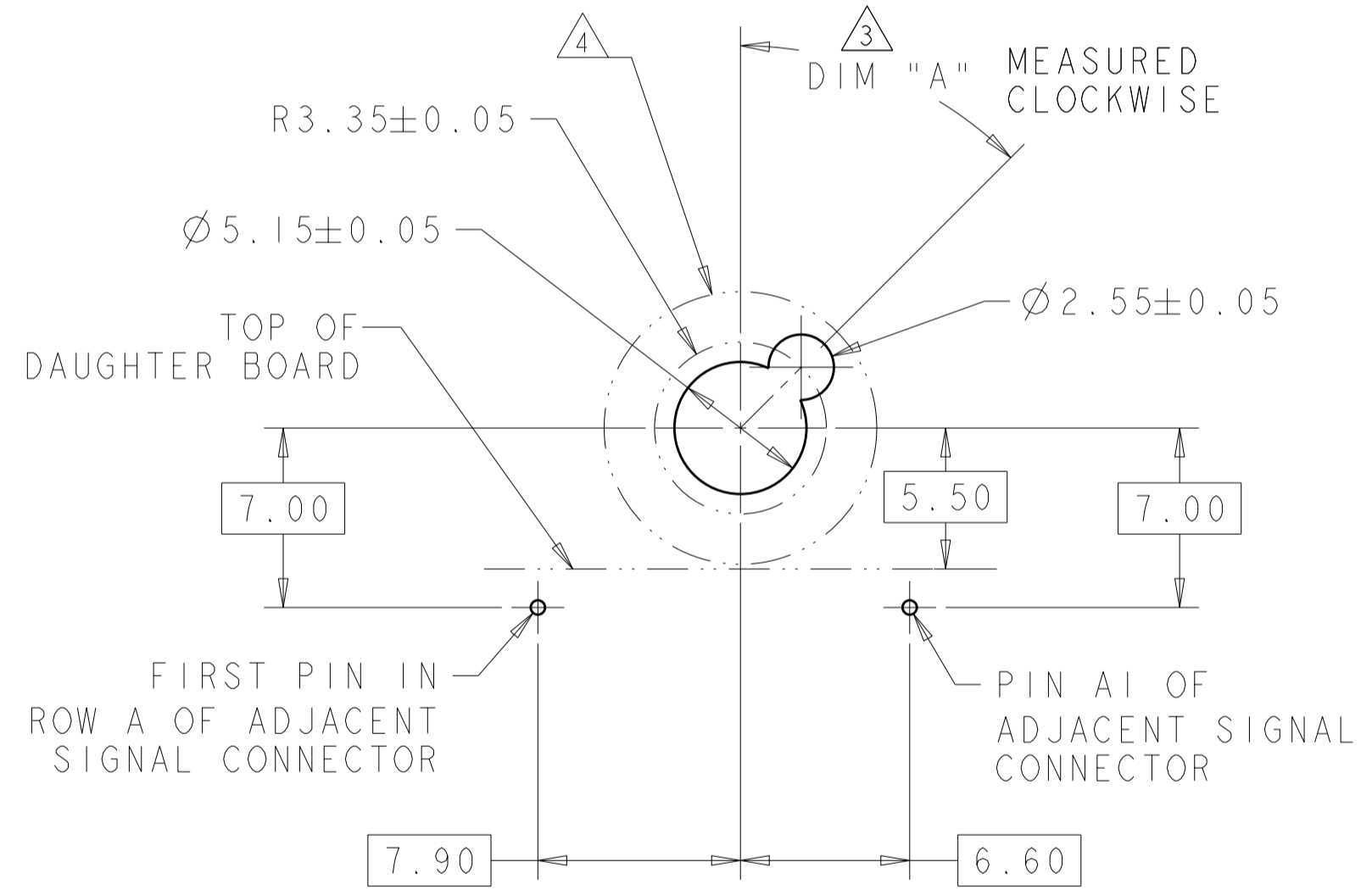
TIER 1  
 GUIDE PIN FOOTPRINT  
 (20.3 & 25.4mm SIGNAL MODULES)  
 SCALE 4:1



TIER 2  
 GUIDE PIN FOOTPRINT  
 (20.3mm SIGNAL MODULES)  
 SCALE 4:1



ALTERNATE PCB LAYOUT  
 FOR GUIDE POST  
 SCALE 4:1



TIER 2  
 GUIDE PIN FOOTPRINT  
 (25.4mm SIGNAL MODULES)  
 SCALE 4:1

-	-	-
-	-	-
-	-	-
-	-	-
-	-	-
-	-	-
5	-	1-1469492-9
5	315°	1-1469492-8
5	270°	1-1469492-7
5	90°	1-1469492-3
5	45°	1-1469492-2
5	0°	1-1469492-1
-	-	-
-	-	-
-	-	-
-	-	-
-	-	-
FINISH	DIM "A"	20.3mm GUIDE MODULE
MATING GUIDE MODULE 3		

THIS DRAWING IS A CONTROLLED DOCUMENT.

DIMENSIONS:	TOLERANCES UNLESS OTHERWISE SPECIFIED:	DWN	24FEB2004
mm	0 PLC ±-	R. TREA	24FEB2004
	1 PLC ±0.5	CHK	B. PATERSON
	2 PLC ±.13	APVD	G. GRIFFITH
	3 PLC ±0.013	PRODUCT SPEC	108-2072
	4 PLC ±-	APPLICATION SPEC	114-13056
MATERIAL	FINISH	WEIGHT	-
-	-	CUSTOMER DRAWING	-

TE Connectivity

KEYED GUIDE PIN, DIE CAST BACKPLANE CONNECTOR, MULTIGIG, THREADED POST

SIZE: A2 CAGE CODE: 00779 DRAWING NO: 1469491 RESTRICTED TO: -

SCALE: 1:1 SHEET 2 OF 2 REV: B2