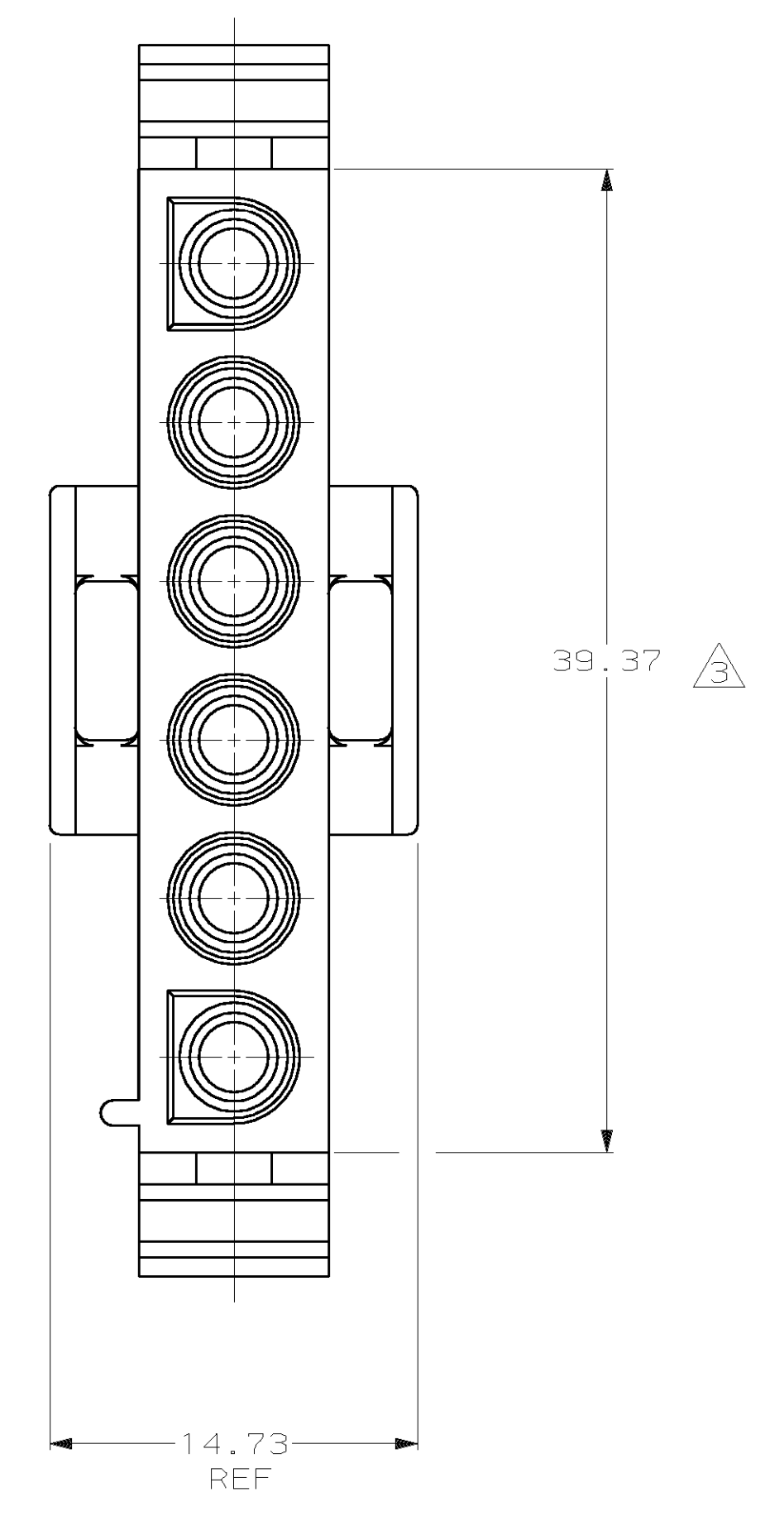
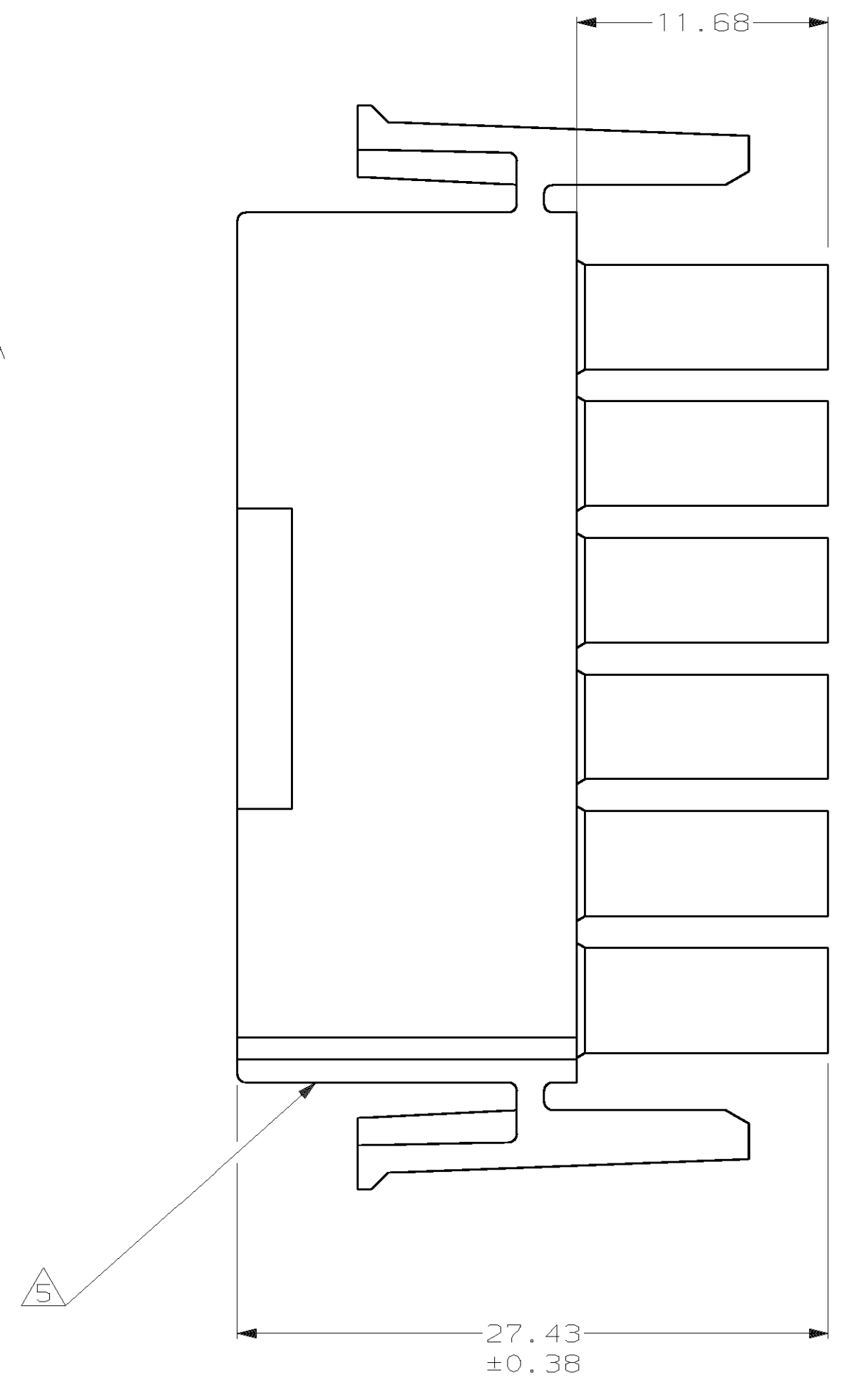
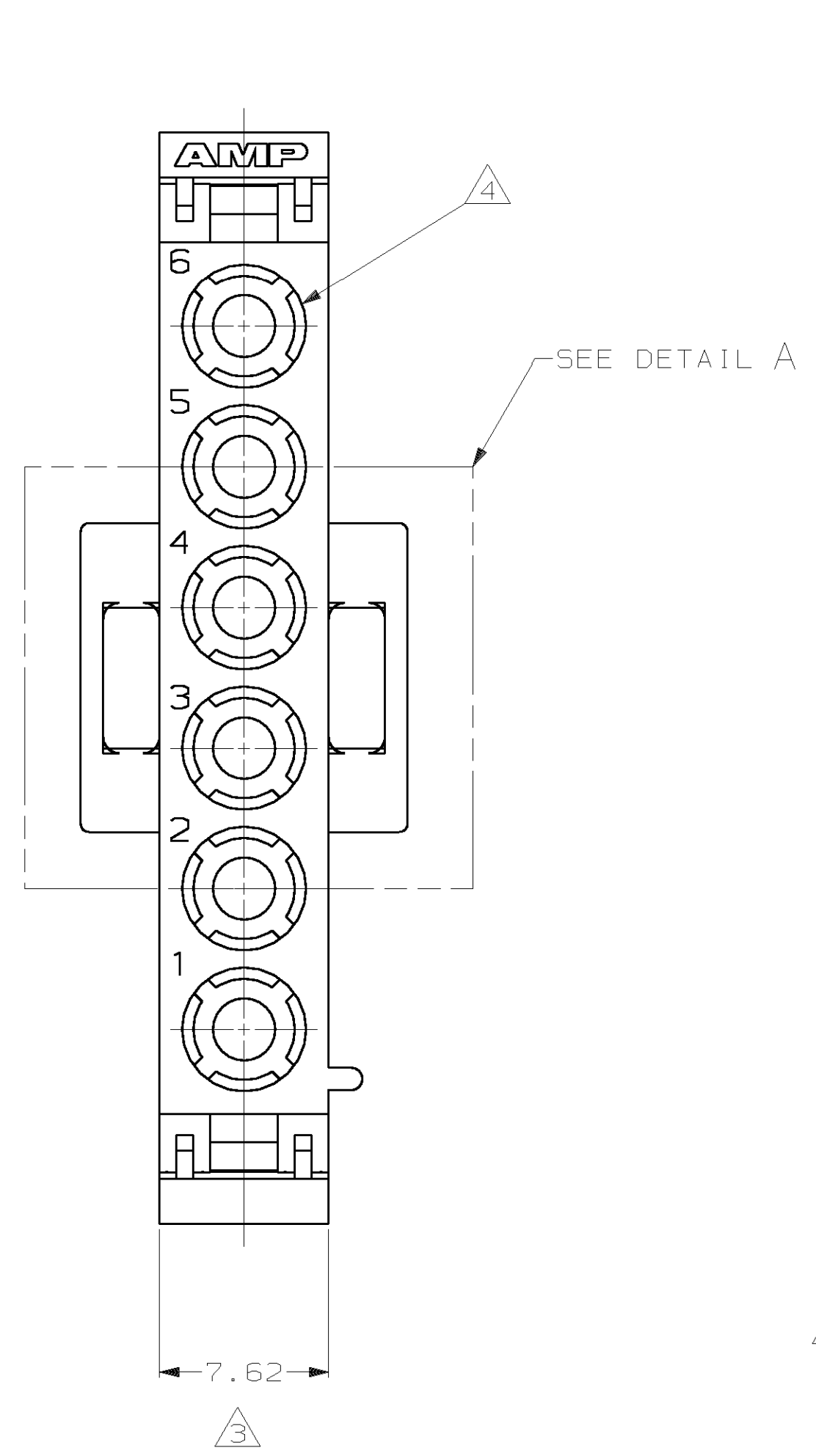
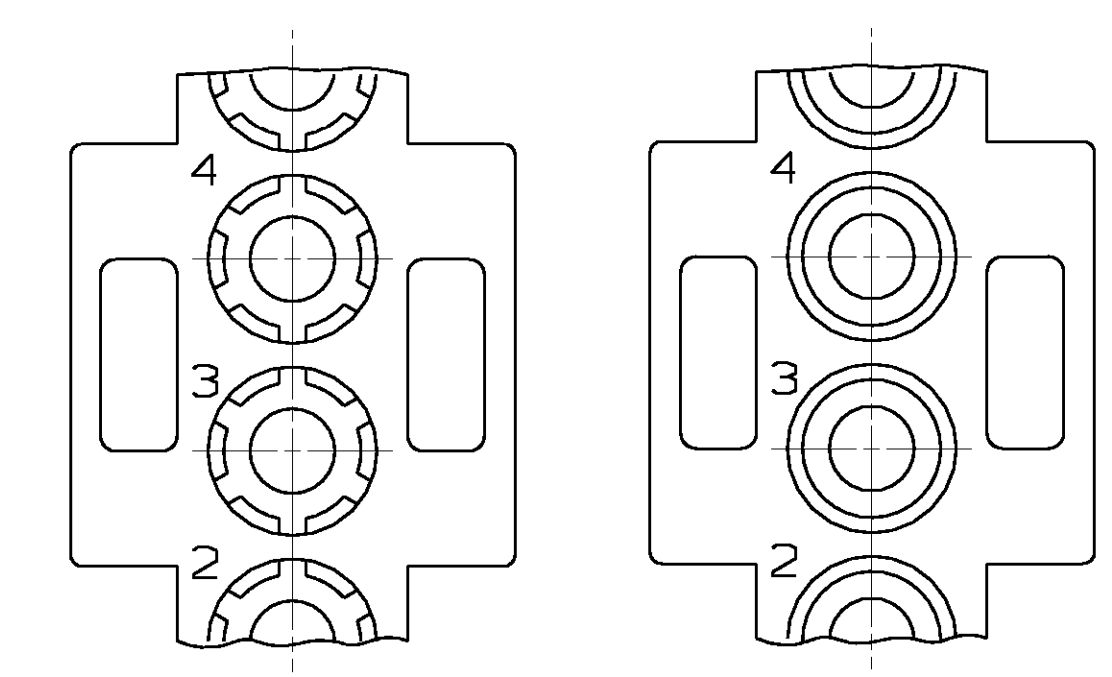
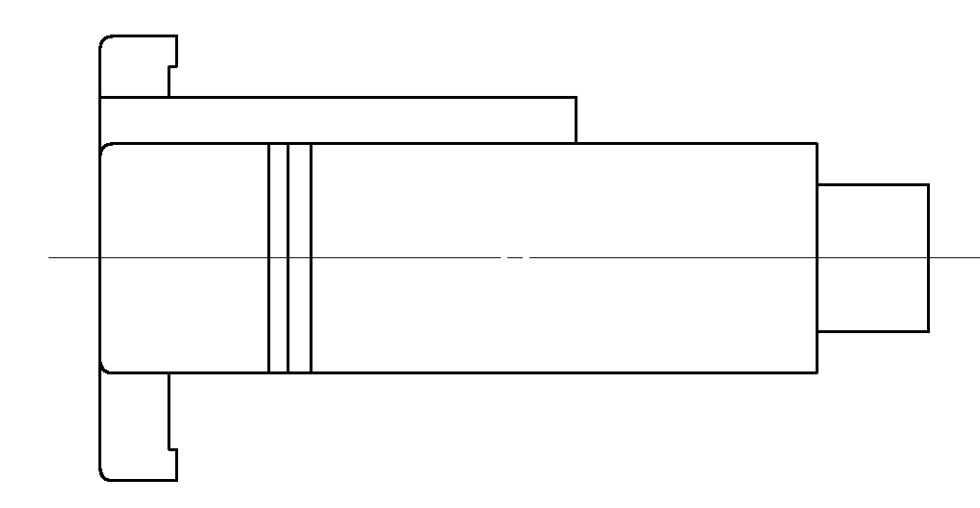


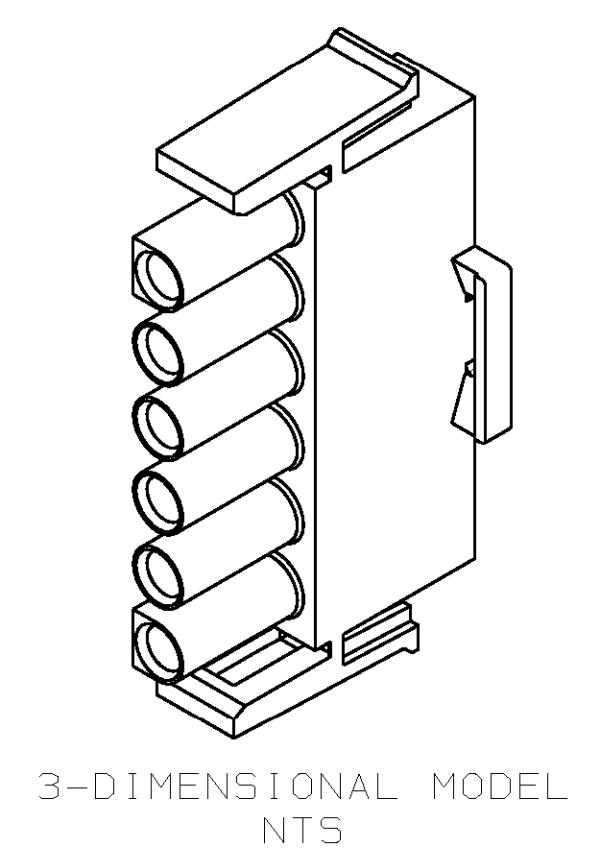
LOC		DIST		P		F		ZONE		LTR		REVISIONS		DATE	APPD
CM	00												REVISED PER EC 063B-0333-00	14-JUL-00	LM/KC



- MATES WITH APPROPRIATE UNIVERSAL MATE-N-LOK™ CAP OR HEADER.
  - SMALL NICKS ARE PERMITTED ON THE CIRCUIT TOWERS WHICH COULD INCREASE THE INITIAL HOUSING MATING FORCE BY UP TO 4.4 NEWTONS [1.0 LBS]. NO INDIVIDUAL NICKED TOWER SHALL INCREASE THIS FORCE BY OVER 2.2 NEWTONS [0.5 LBS].
- 3 DIMENSION INDICATED IS AS MOLDED. ADDITIONAL GROWTH DUE TO SUBSEQUENT MOISTURE ABSORPTION MAY OCCUR.
- 4 FOUR RIBS EQUALLY SPACED, NO SPECIFIC ORIENTATION. NO RIBS OR SIX RIBS EQUALLY SPACED, NO SPECIFIC ORIENTATION, OPTIONAL.
- 5 UNDERWRITERS RECOGNIZED COMPONENT LOGO AND CSA CERTIFICATION LOGO TO BE LOCATED ONCE EACH ON SIDE OF HOUSING.

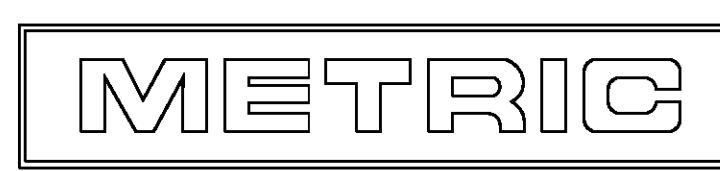


DETAIL A  
 OPTIONAL CONSTRUCTIONS



MM	IN
39.37	1.550
27.43	1.080
14.73	.580
11.68	.460
7.62	.300
0.38	.015
0.13	.005
MM	IN

CONVERSION TABLE



DO NOT SCALE PRINT. UNLESS SPECIFIED DIMENSIONS IN mm [INCHES] TOLERANCES ON: 2 PLC DEC ± 0.13 3 PLC DEC ± . ANGLS ± 0°30'		DR 2-27-92 K. WHITAKER	AMP Incorporated Harrisburg, PA 17105-3508		
MATERIAL NYLON, UL 94V-2 NATURAL		CHK 2-27-92 R. SWING			
FINISH -		APPD 3-5-92 D. SELF	NAME PLUG, 6 CIRCUIT, UNIVERSAL MATE-N-LOK™		
APPLICATION SPEC -		APPD 3-5-92 D. SELF	SIZE D	CAGE CODE 00779	DRAWING NO 640585
WEIGHT -		PRODUCT SPEC -	SCALE 4:1	SHEET 1 OF 1	