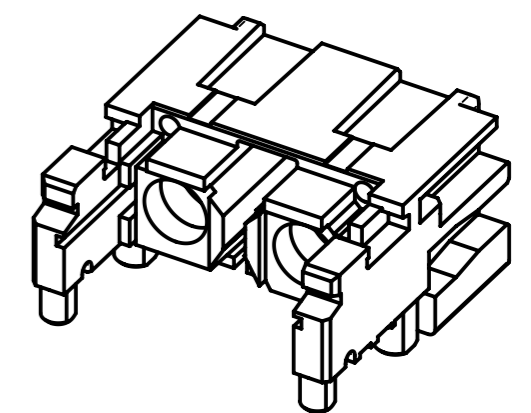


- 3 limit area of components (valid for both pcb sides)
- 2 no tracks, except solder eyes
- 1 non-metallized drillings



	All rights reserved	Created by STORCK	Inspected by LEHNERT	Standardisation HOFFMANN	Date 2018-10-23	State Final Release
	Department EL PD	Title DIN Signal type M0+2 angled male			Doc-Key / ECM-Nr. 100558147/UGD/002/C 500000141444	
HARTING Electronics GmbH D-32339 Espelkamp		Type TB	Number 09290023201		Rev. C	Page 1/1

Mouser Electronics

Authorized Distributor

Click to View Pricing, Inventory, Delivery & Lifecycle Information:

[HARTING:](#)

[09290023201](#)