

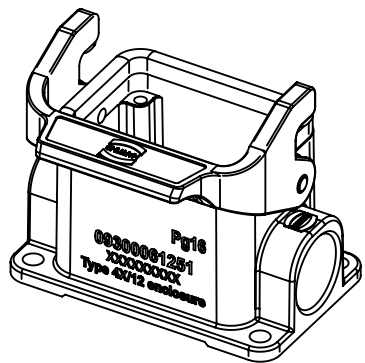
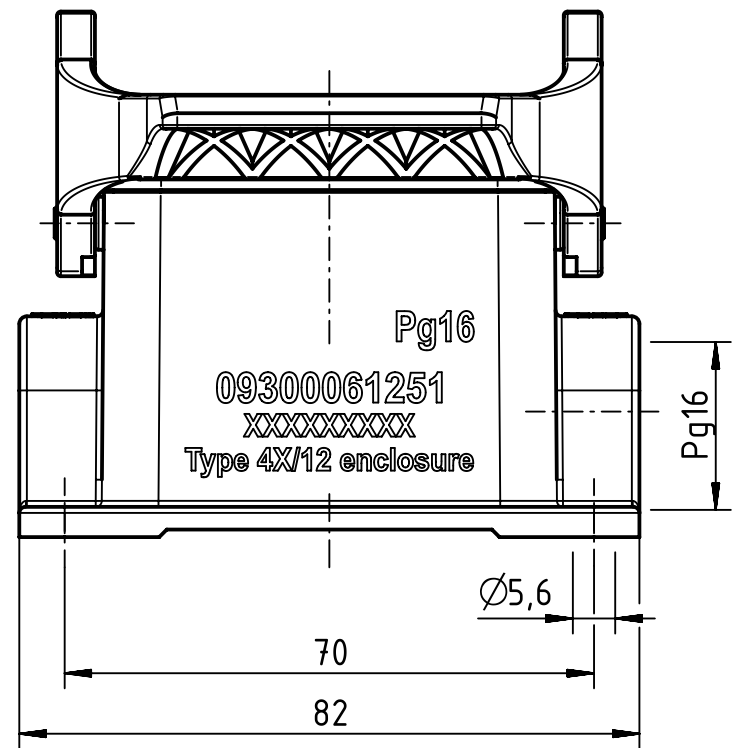
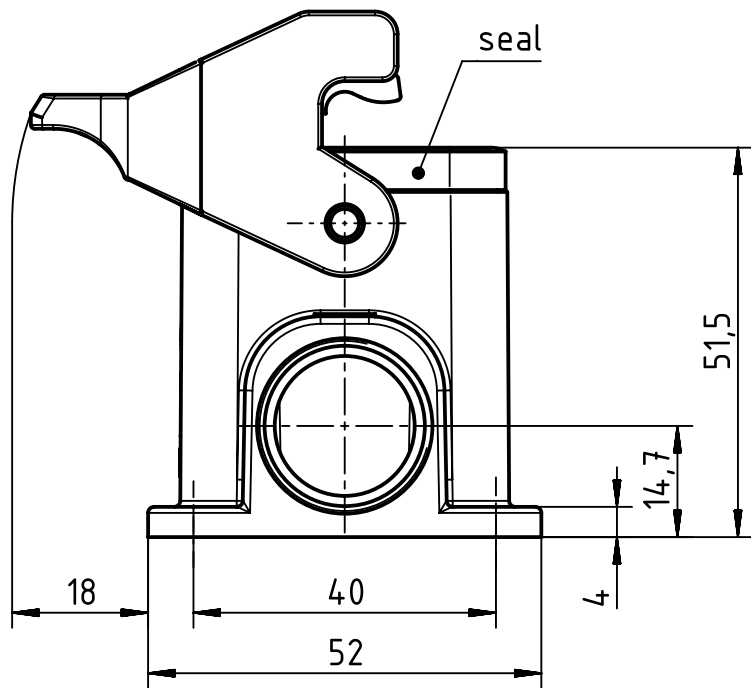
1 2 3 4 5 6

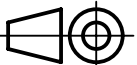

A

B

C

D



	All Dimensions in mm Original Size DIN A4		Scale 1:1	Free size tol.		Ref. Sub. TB 09 30 006 1251 v. 26.04.11		
		All rights reserved Department EL PD		Created by RULLKOETTER	Inspected by BERGHORN	Standardisation TIEMANNA	Date 2016-09-14	State Final Release
HARTING Electric GmbH & Co. KG D-32339 Espelkamp			Title Han B Base Surface LC 1 Lever 1 Entry PG			Doc-Key / ECM-Nr. 100208665/UGD/004/B 500000108296		
				Type TB	Number 09 30 006 1251		Rev. B	Page 1/1

Mouser Electronics

Authorized Distributor

Click to View Pricing, Inventory, Delivery & Lifecycle Information:

[HARTING:](#)

[09300061251](#)