

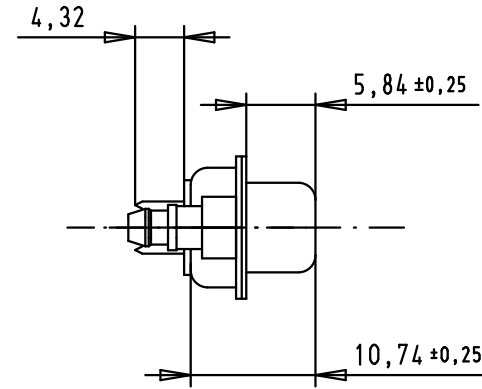
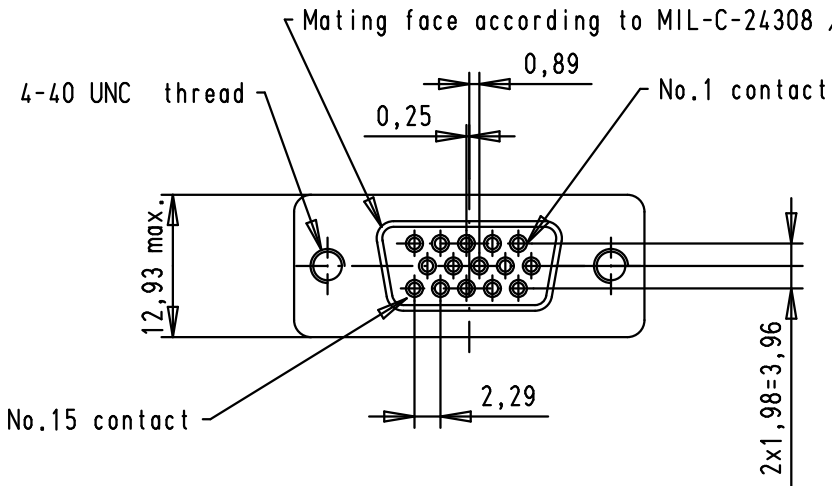
5

4

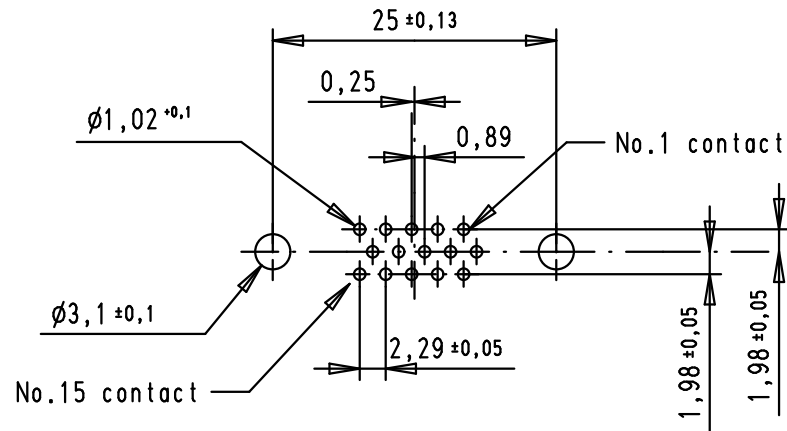
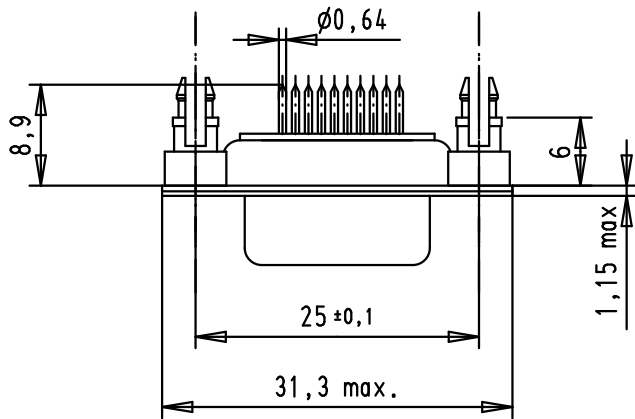
3

2

1



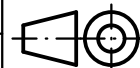
Printed board layout, component side  
PCB thickness 1,6mm



A

09561515512	0.76 μm Au
09561517512	3
Part number	Performance level

				Dat.	Name
				Detail.	16-OCT-02 S.H.
36183	13/10/10	BH	Insp.		
32735	18/03/05	AL	Stand.		
32326	03/01/05	TR	HARTING EURL		
31095	16-OCT-02	S.H.	F-95972 Paris		
Mod.	Dat.	Name			



All Dim. in mm  
Orig. Size DIN A 4

Dsub, 15 poles, female,  
straight solder pins,  
board locks

TB 0956151x512

Sub.

Maßstab/  
Scale

1.5:1

Blatt/ Page

1/1

# Mouser Electronics

Authorized Distributor

Click to View Pricing, Inventory, Delivery & Lifecycle Information:

[HARTING:](#)

[09561515512](#) [09561517512](#)