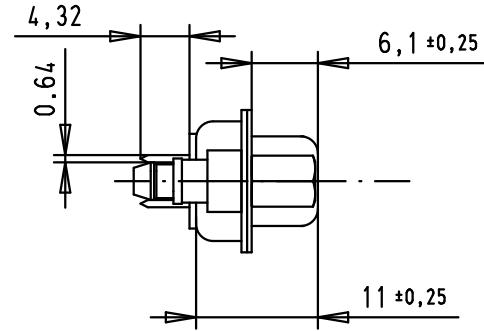
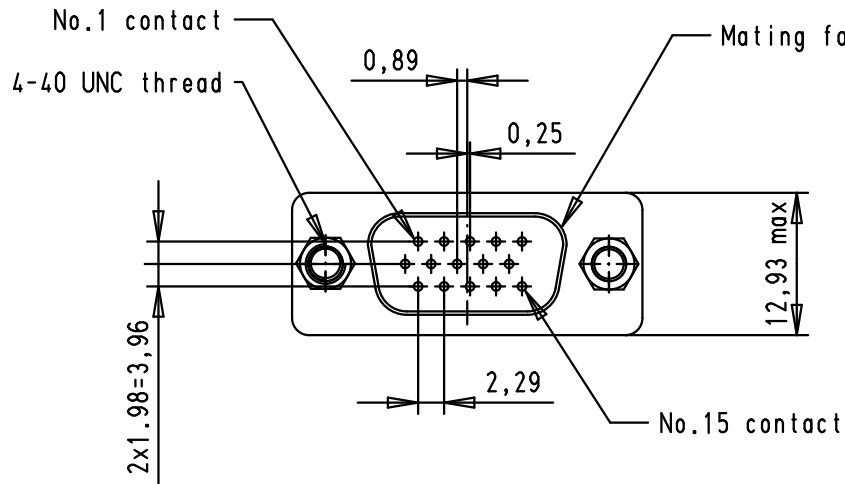
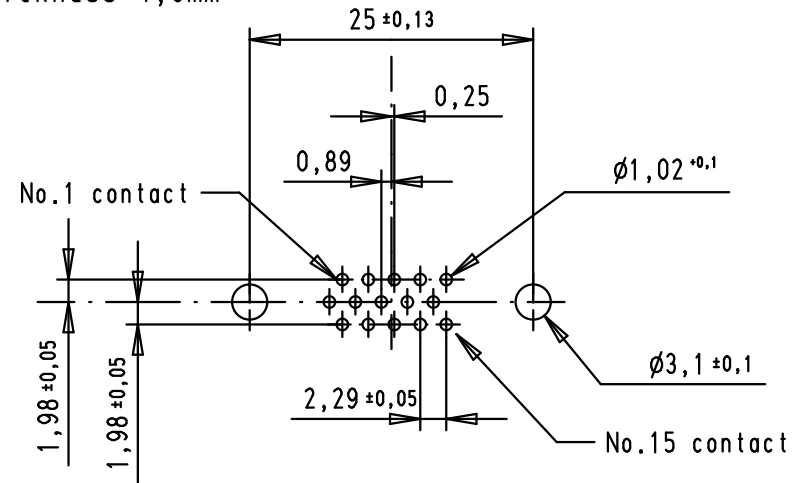
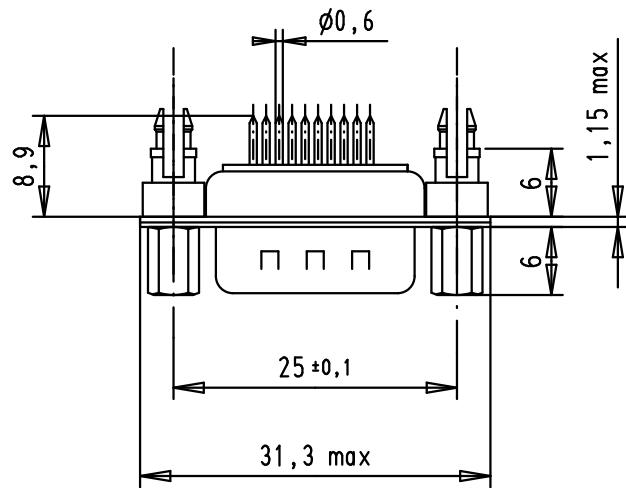


5 4 3 2 1

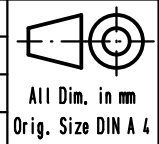


Printed board layout, component side
PCB thickness 1,6mm



09561615713	0.76 μm Au
09561617713	3
Part number	Performance level

				Dat.	Name
36182	13/10/10	BH	Detail.	03/06/03	S.H.
32735	18/03/05	AL	Insp.		
32326	03/01/05	TR	Stand.		
31874	05/03/04	A.C.	HARTING EUROL F-95972 Paris		
31503	03/06/03	S.H.			
Mod.	Dat.	Name			



Dsub, 15 poles, male,
straight solder pins,
board locks and screw locks
shell with dimples

Maßstab/
Scale
1.5:1



TB 0956161x713

Blatt/ Page
1 / 1

Mouser Electronics

Authorized Distributor

Click to View Pricing, Inventory, Delivery & Lifecycle Information:

[HARTING:](#)

[09561617713](#) [09561615713](#)