

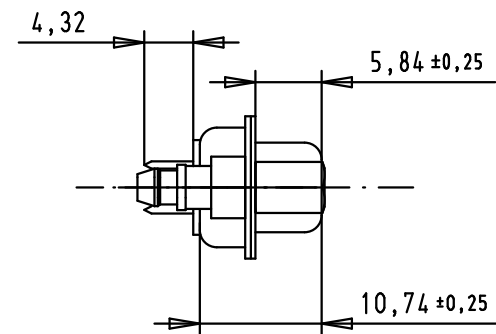
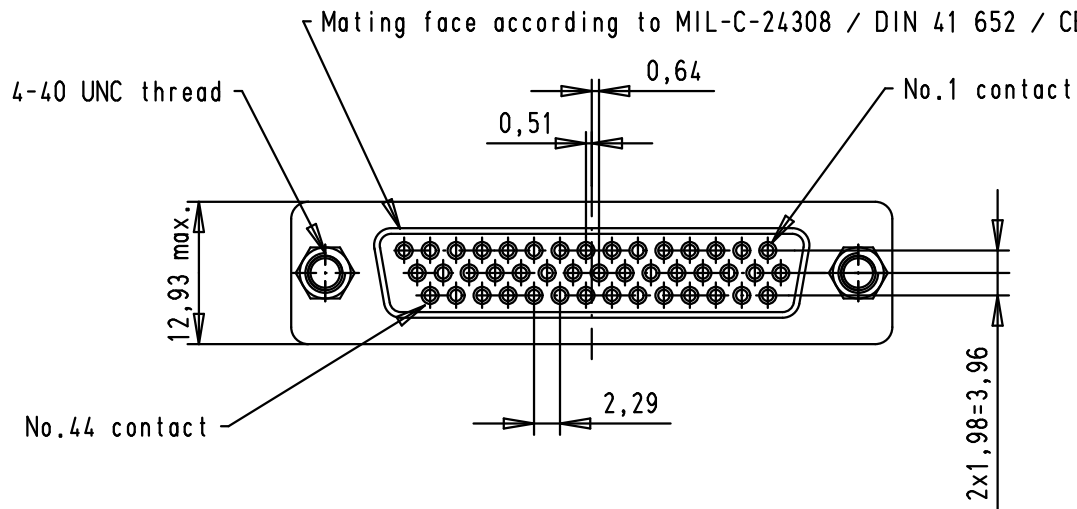
5 4 3 2 1

D

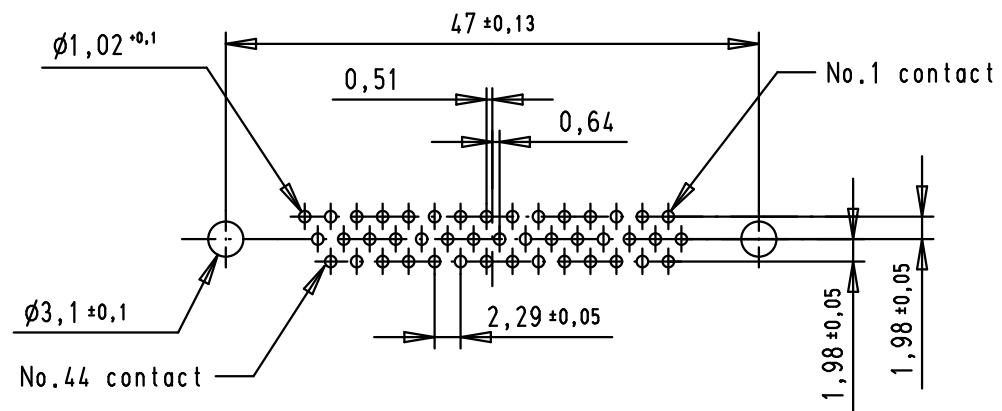
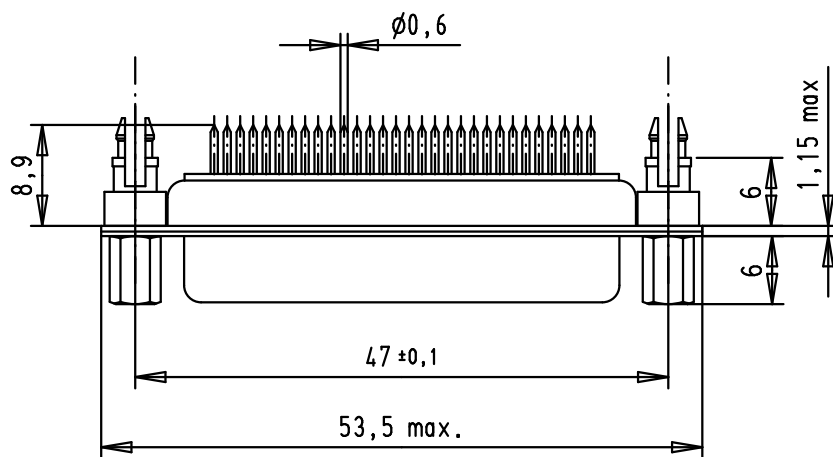
C

B

A



Printed board layout, component side  
PCB thickness 1,6mm



09563515513	0.76 μm Au
09563517513	3
Part number	Performance level

36183	13/10/10	BH		
32735	18/03/05	AL		
32326	03/01/05	TR		
31503	03-06-03	S.H.		
Mod.	Dat.	Name		

	Dat.	Name
Detail.	03-06-03	S.H.
Insp.		
Stand.		
HARTING EURL F-95972 Paris		



Dsub, 44 poles, female, straight solder pins, board locks screw locks
TB 0956351x513
Sub.

Maßstab/ Scale
1.5:1
Blatt/ Page
1 / 1

# Mouser Electronics

Authorized Distributor

Click to View Pricing, Inventory, Delivery & Lifecycle Information:

[HARTING:](#)

[09563515513](#) [09563517513](#)