

# TCP 5/DC32V - Thermal device circuit breaker



0700005

<https://www.phoenixcontact.com/us/products/0700005>

Please be informed that the data shown in this PDF document is generated from our online catalog. Please find the complete data in the user documentation. Our general terms of use for downloads are valid.



Thermal device circuit breaker, number of positions: 1, nominal current: 5 A, nom. voltage: 32 V, fuse type: Slow-blow, fuse type: Automatic device, mounting type: on base element

## Your advantages

- Fast, replacement part-free recommissioning after an event with the reconnection options
- Easy to retrofit in existing systems with vehicle flat-type fuses with identical pin connector pattern
- Easy identification of the nominal current value via color marking

## Commercial data

Item number	0700005
Packing unit	50 pc
Minimum order quantity	50 pc
Sales key	CL15
Product key	CLA112
Catalog page	Page 400 (C-4-2019)
GTIN	4046356079624
Weight per piece (including packing)	4.05 g
Weight per piece (excluding packing)	4.05 g
Customs tariff number	85362010
Country of origin	DE

# TCP 5/DC32V - Thermal device circuit breaker



0700005

<https://www.phoenixcontact.com/us/products/0700005>

## Technical data

### Product properties

Product type	Thermal device circuit breakers
Type	Male
Number of positions	1
No. of channels	1

### Electrical properties

Fuse type	Automatic device
Fuse	Slow-blow

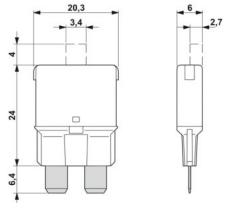
### General

Rated voltage	32 V DC
Rated current $I_N$	5 A
Rated short-circuit switching capacity $I_{cn}$	$\leq 50$ A (300 switch-offs)
Short-circuit switching capacity	150 A ( $\geq 3$ shutdowns) 2000 A ( $\geq 1$ switch-off)
Voltage drop	$< 150$ mV

### Connection data

Note	The reset button must not be obstructed!
Nominal current	5 A
Nominal voltage	32 V AC 32 V DC
Connection method	pluggable

### Dimensions

Dimensional drawing	
Width	6 mm
Height	20.3 mm
Depth	30.4 mm

### Material specifications

Color	ivory (RAL 1014)
Material	PA
Insulating material	PA

### Mechanical properties

# TCP 5/DC32V - Thermal device circuit breaker



0700005

<https://www.phoenixcontact.com/us/products/0700005>

## Mechanical data

Open side panel	No
-----------------	----

## Environmental and real-life conditions

### Ambient conditions

Degree of protection	IP30 (Actuation area)
Ambient temperature (operation)	-40 °C ... 85 °C
Humidity test	240 h, 95 % RH, 40 °C

## Mounting

Mounting type	on base element
---------------	-----------------

# TCP 5/DC32V - Thermal device circuit breaker

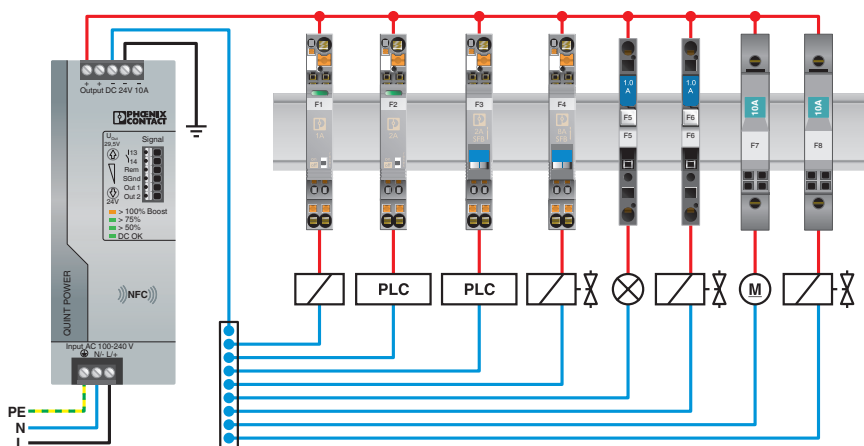


0700005

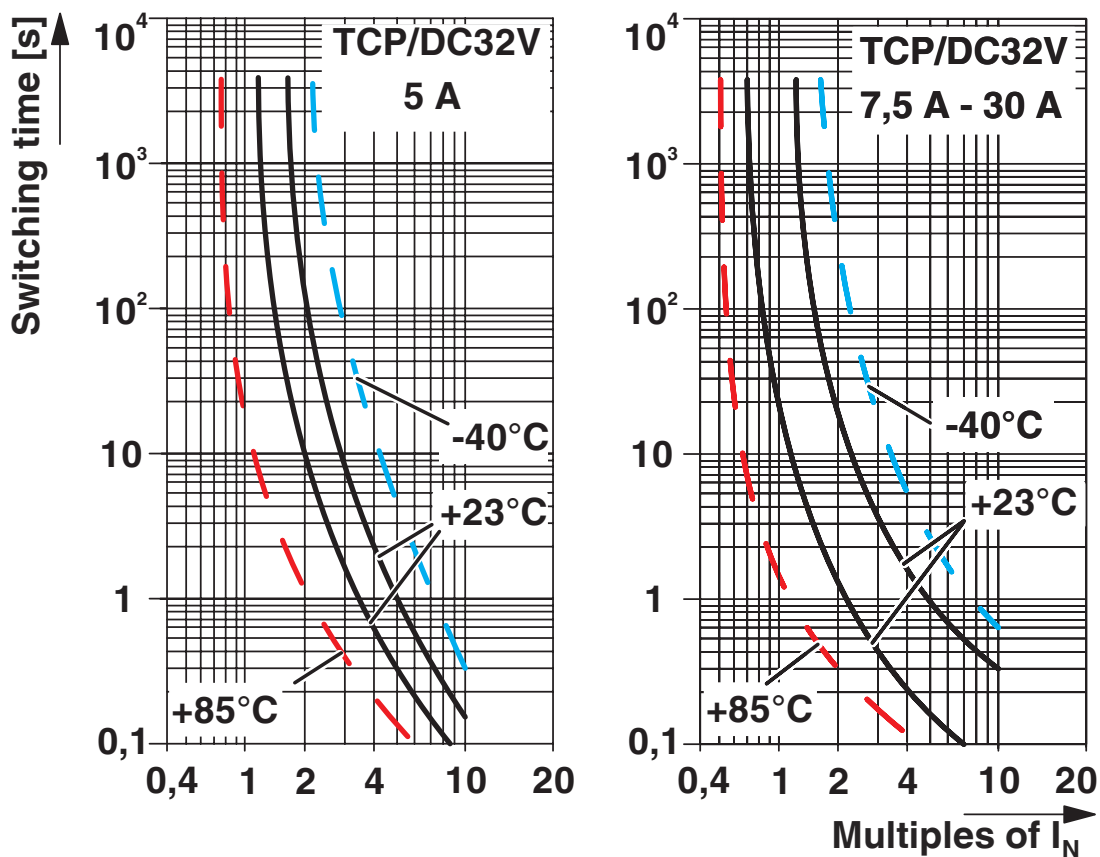
<https://www.phoenixcontact.com/us/products/0700005>

## Drawings

Application drawing



Diagram



Trigger characteristic

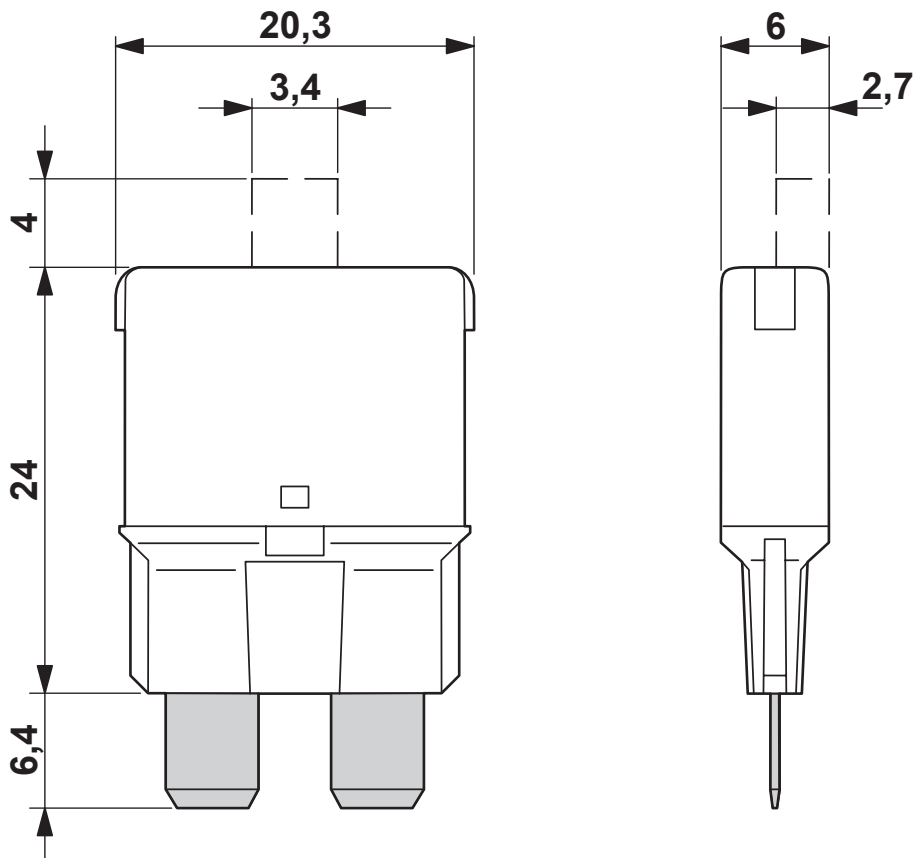
# TCP 5/DC32V - Thermal device circuit breaker

0700005

<https://www.phoenixcontact.com/us/products/0700005>



Dimensional drawing



# TCP 5/DC32V - Thermal device circuit breaker



0700005

<https://www.phoenixcontact.com/us/products/0700005>

## Classifications

### ECLASS

ECLASS-11.0	27141116
ECLASS-12.0	27141116
ECLASS-13.0	27140401

### ETIM

ETIM 9.0	EC000899
----------	----------

### UNSPSC

UNSPSC 21.0	39121400
-------------	----------

0700005

<https://www.phoenixcontact.com/us/products/0700005>

## Environmental product compliance

### EU RoHS

Fulfills EU RoHS substance requirements	Yes
Exemption	6(a), 6(a)-I

### China RoHS

Environment friendly use period (EFUP)	EFUP-25
	An article-related China RoHS declaration table can be found in the download area for the respective article under "Manufacturer declaration". For all articles with EFUP-E, no China RoHS declaration table issued and required.

### EU REACH SVHC

REACH candidate substance (CAS No.)	Lead(CAS: 7439-92-1)
SCIP	bc495a4c-f0e8-4b36-8adc-fad82277d1a2

# TCP 5/DC32V - Thermal device circuit breaker

0700005

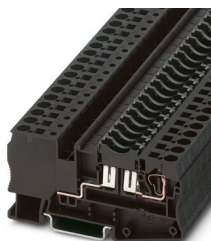
<https://www.phoenixcontact.com/us/products/0700005>

## Accessories

### ST 4-FSI/C - Fuse modular terminal block

3036372

<https://www.phoenixcontact.com/us/products/3036372>



Fuse modular terminal block, fuse type: Flat, fuse type: C, nom. voltage: 400 V, nominal current: 30 A, connection method: Spring-cage connection, 1 level, Rated cross section: 4 mm<sup>2</sup>, cross section: 0.08 mm<sup>2</sup>- 6 mm<sup>2</sup>, mounting type: NS 35/7,5, NS 35/15, color: black

---

### ST 4-FSI/C-LED 12 - Fuse modular terminal block

3036495

<https://www.phoenixcontact.com/us/products/3036495>



Fuse terminal block with LED for mounting on NS 35, for miniature circuit breakers, terminal width: 8.2 mm, color: Black



# TCP 5/DC32V - Thermal device circuit breaker

0700005

<https://www.phoenixcontact.com/us/products/0700005>

## ST 4-FSI/C-LED 24 - Fuse modular terminal block

3036505

<https://www.phoenixcontact.com/us/products/3036505>



Fuse terminal block with LED for mounting on NS 35, for miniature circuit breakers, terminal width: 8.2 mm, color: Black

---

## UK 6-FSI/C - Fuse modular terminal block

3118203

<https://www.phoenixcontact.com/us/products/3118203>



Fuse modular terminal block, fuse type: Flat, fuse type: C, nom. voltage: 250 V, nominal current: 30 A, number of positions: 1, connection method: Screw connection, 1 level, Rated cross section: 4 mm<sup>2</sup>, cross section: 0.2 mm<sup>2</sup>- 10 mm<sup>2</sup>, mounting type: NS 35/7,5, NS 35/15, NS 32, color: black

# TCP 5/DC32V - Thermal device circuit breaker



0700005

<https://www.phoenixcontact.com/us/products/0700005>

## UK 6-FSI/C-LED12 - Fuse modular terminal block

3001925

<https://www.phoenixcontact.com/us/products/3001925>



Flat-type fuse terminal block, cross section: 0.2 - 6 mm<sup>2</sup>, AWG: 26 - 8, width: 8.2 mm, color: black, with light indicator, voltage light indicator: 12 V DC, current light indicator: 2 mA

---

## UK 6-FSI/C-LED24 - Fuse modular terminal block

3001938

<https://www.phoenixcontact.com/us/products/3001938>



Flat-type fuse terminal block, cross section: 0.2 - 6 mm<sup>2</sup>, AWG: 26 - 8, width: 8.2 mm, color: black, with light indicator, voltage light indicator: 24 V DC, current light indicator: 2 mA

# TCP 5/DC32V - Thermal device circuit breaker



0700005

<https://www.phoenixcontact.com/us/products/0700005>

## PT 6-FSI/C - Fuse modular terminal block

3212166

<https://www.phoenixcontact.com/us/products/3212166>



Fuse modular terminal block, fuse type: Flat, fuse type: Type C / max. 2.2 W, nom. voltage: 400 V, nominal current: 25 A, connection method: Push-in connection, Rated cross section: 6 mm<sup>2</sup>, cross section: 0.5 mm<sup>2</sup>- 10 mm<sup>2</sup>, mounting type: NS 35/7,5, NS 35/15, color: black

---

## PT 6-FSI/C-LED 12 - Fuse modular terminal block

3212169

<https://www.phoenixcontact.com/us/products/3212169>



Fuse modular terminal block, fuse type: Flat, fuse type: Type C / max. 2.2 W, nom. voltage: 12 V, nominal current: 25 A, connection method: Push-in connection, Rated cross section: 6 mm<sup>2</sup>, cross section: 0.5 mm<sup>2</sup>- 10 mm<sup>2</sup>, mounting type: NS 35/7,5, NS 35/15, color: black

# TCP 5/DC32V - Thermal device circuit breaker



0700005

<https://www.phoenixcontact.com/us/products/0700005>

## PT 6-FSI/C-LED 24 - Fuse modular terminal block

3212172

<https://www.phoenixcontact.com/us/products/3212172>



Fuse modular terminal block, fuse type: Flat, fuse type: Type C / max. 2.2 W, nom. voltage: 24 V, nominal current: 25 A, connection method: Push-in connection, Rated cross section: 6 mm<sup>2</sup>, cross section: 0.5 mm<sup>2</sup>- 10 mm<sup>2</sup>, mounting type: NS 35/7,5, NS 35/15, color: black

---

Phoenix Contact 2024 © - all rights reserved

<https://www.phoenixcontact.com>

Phoenix Contact USA  
586 Fulling Mill Road  
Middletown, PA 17057, United States  
(+717) 944-1300  
[info@phoenixcon.com](mailto:info@phoenixcon.com)