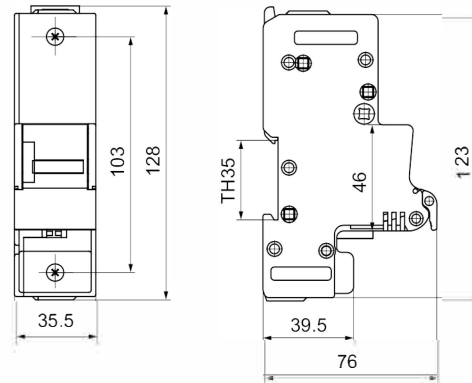


# PRODUCTS DATASHEET

RT18



RT18-125(RT18-125L, RT18-125LX)

Fig 4

### 3. Product technical parameter

#### 3.1 pre-arc $I^2t$ , clearing $I^2t$

Current(A)	Pre-arc $I^2t$ (min)	Clearing $I^2t$ (max)
2	0.67	16
4	4	67
6	16	193
8	40	190
10	67	640
12	130	820
16	291	1210
20	640	2500
25	1210	4000
32	2500	5750
40	4000	9000
50	5750	13700
63	9000	21200
80	13700	36000
100	21200	64000
125	36000	104000

#### 3.2 Rated power of fuse link

Size	10× 38	14× 51	22× 58
Rated power	3w	5w	9.5w

3.3 Time-current curve

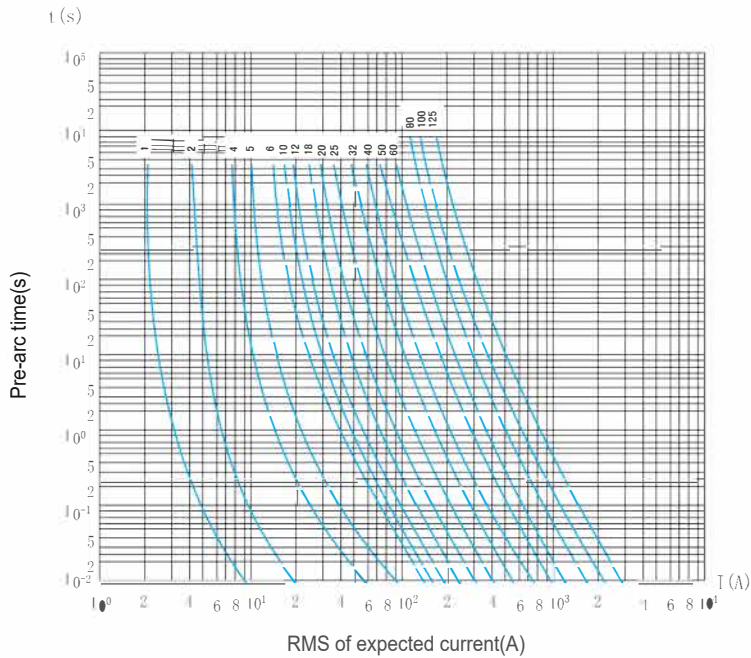


图5

3.4 Cut-off Current Characteristic Curve

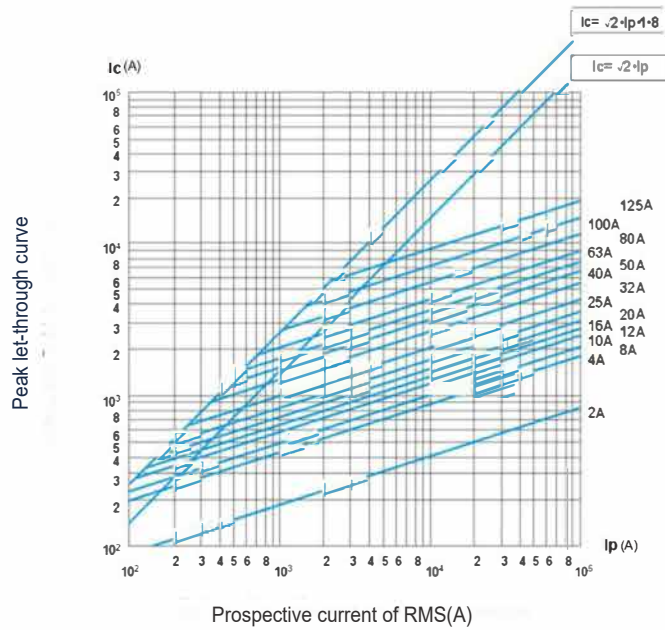


Fig 6

## 1. Overview

### 1.1 Type: RT18

1.1.1 Rated voltage: AC380V/500V

1.1.2 Function class: gG

1.1.3 Breaking capacity: AC ≥ 50kA

1.2 Standard: IEC 60269-2

### 1.3 Lightning protection

1.3.1 Lightning strike waveform: 8/20μs; impulse current peak value ≥ 5kA

## 2 Outline dimension

### 2.1 Outline dimension of fuse link

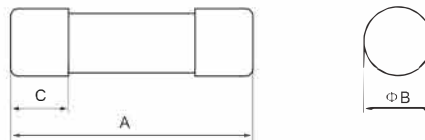
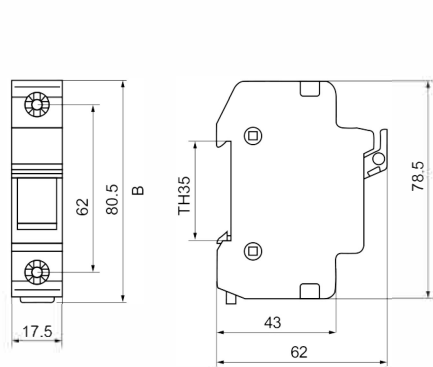


Fig 1

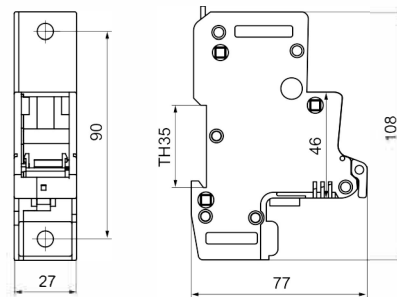
Type	Dimension(mm)		
	A	B	C
RT18-32	38	10.3	10
RT18-63	51	14.3	12
RT18-125	58	22.2	14

### 2.2 Outline dimension of fuse base



RT18-32、RT18-32X

Fig 2



RT18-63(RT18-63L、RT18-63LX)

Fig 3