

UPDATED WOLFLITE H-251ALED RECHARGEABLE HANDLAMP



H-251ALED ZONES **1** **2** **21** **22**

PRODUCT INFORMATION

The newly updated in 2021 WolfLite® H-251ALED primary cell powered LED safety handlamp has been CE marked in compliance with the 2014/34/ EU explosive atmospheres ATEX directive and UKCA marked in compliance with UKSI 2016/1107 UKEX Statutory Instrument, for use in a wide range of potentially explosive gases, vapours, mists and dusts.

Large Switch for easy operation with gloved or bare hands

Lanyard Fixings

High power LED with 10,000+ hours lifespan & 210 lumens light output (at source)

Ergonomic Design, easy to use with gloved hands



Robust, Reliable and Proven Materials

LIGHT OUTPUT/DURATION/POWER

- New long life LED light source with 210 lumens measured at source
- 18 hrs battery life from a single charge

CERTIFICATION

- Certified for ATEX, IECEx & UKEX. Zones 1, 2, 21 and 22
- CE and UKCA marked
- -10°C to +40°C temperature ambient
- T4 temperature class
- IP66 ingress protection

FEATURES

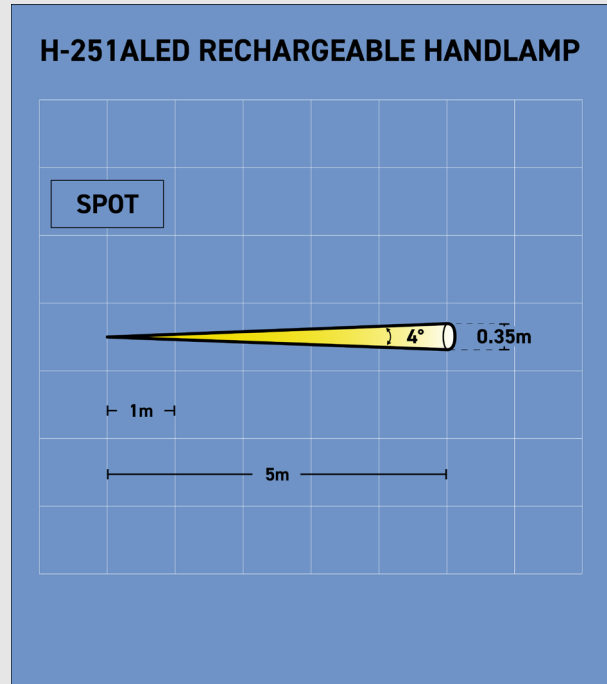
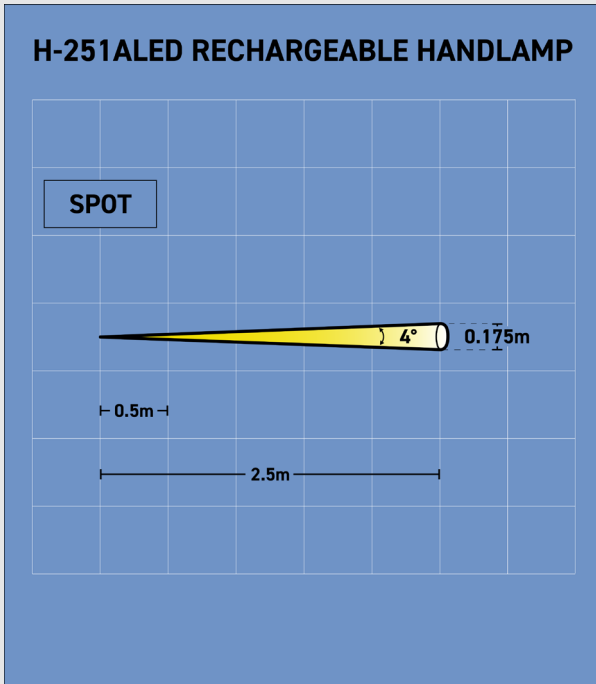
- LED light source gives increased light output and battery duration
- Emergency illumination function illuminates the handlamp if power to the charger fails, highlighting the escape route
- Deep discharge protection protects the battery for permanent damage
- Robust anti-static thermoplastic lamp enclosure
- For use with C-251HV/LV Chargers
- Suitable for cyclic and short term standby applications (for long term see WolfLite XT Rechargeable LED Handlamp and Rechargeable Torch)



- The H-251ALED has an intense spot beam, with a flood of lower level fringe light

TECHNICAL INFORMATION

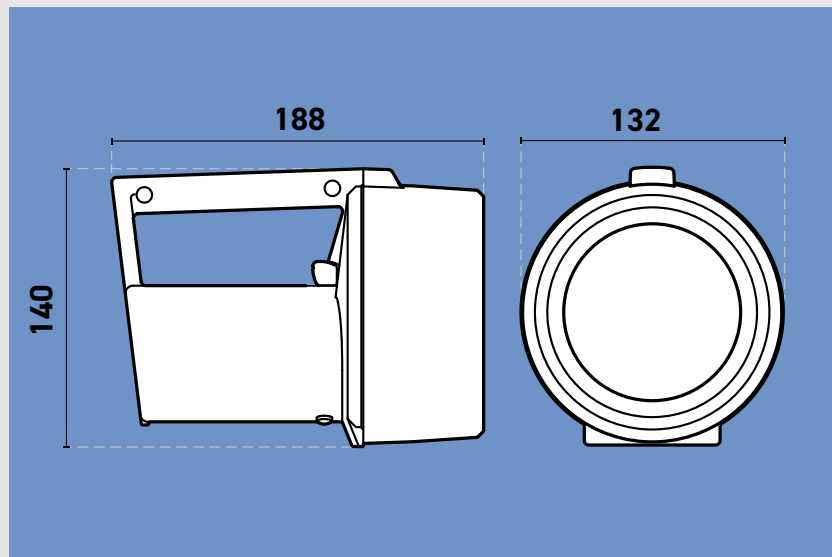
LIGHT OUTPUT DIAGRAM



Spot Beam, approximately 4°, with a flood of lower level fringe light.

PRODUCT DIMENSIONS

H-251ALED



MEASUREMENT mm



NEW WOLFLITE H-251ALED RECHARGEABLE HANDLAMP

PRODUCT REFERENCE		H-251ALED
PRODUCT DESCRIPTION		Rechargeable Safety Handlamp
CODE	ATEX, IECEx & UKCA	II 2GD Ex ib IIC T4 Gb (-10°C ≤ Ta ≤ +40°C) Ex ib IIIB T170°C Db* * The revised product approval code confirms compliance to IIIB nonconductive dusts and has a T170°C dust temperature.
TYPE OF PROTECTION		"ib" intrinsic safety
AREA OF CLASSIFICATION (GAS)		Zones 1 & 2 Gas Groups IIA, IIB IIC
TEMPERATURE CLASS (GAS)		T4
AREA OF CLASSIFICATION (DUST)		Zones 21 & 22 Dust Groups IIIA and IIIB
MAX. SURFACE TEMP. (DUST)		170°C
AMBIENT TEMPERATURE		-10°C to +40°C
CERTIFICATE	ATEX	BAS00ATEX2176
	UKEX	BAS21UKEX0359
	IECEX	IECEX BAS 16.0076
ENCLOSURE / LENS		Thermoplastic, Anti-Static / Toughened Glass (6mm)
BEAM TYPE		Spot with fringe light
LIGHT SOURCE	PART NUMBER	H-88
	TYPE	High Power LED
	WATTS	1.2W
	OUTPUT AT SOURCE	210lm
	LIFE	25,000 hrs
POWER SOURCE	PART NO.	H-66
	TYPE	Rechargeable Battery, Sealed Lead Acid
	VOLTS	4V
	CAPACITY	5Ah
	LIFE	Up to 500 recharge cycles
LIGHT DURATION		Up to 18 hrs
INGRESS PROTECTION		IP66
WEIGHT (INC. CELLS)		1.84kg

All information has been gathered under laboratory conditions, the user must regard the values given as approximate. Changes may be made to the above specification without notification, details are available on request.



Wolf Safety Lamp Company
Saxon Road Works, Sheffield S8 0YA, UK

T: +44 (0) 114 255 1051
E: info@wolfsafety.com

