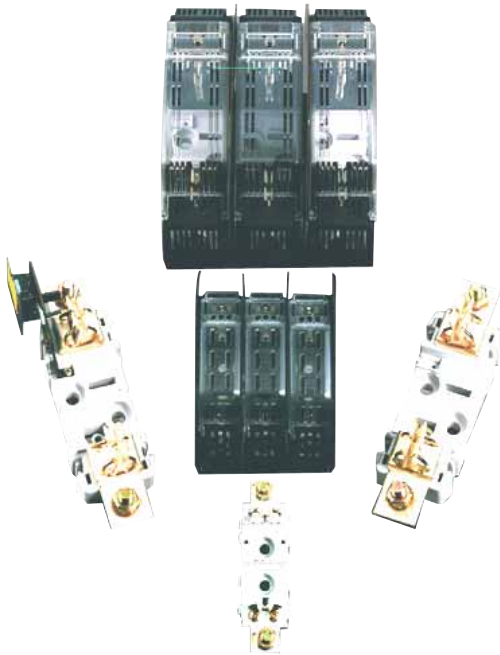




Gears & Fuse Gears

IEC General Purpose Fuses NH Fuses Plastic Bases



00-EP/TP

NH fuse bases are designed for fuse-links with rated voltages up to 690 VAC and 440 VDC. They are in compliance with IEC 60269, DIN VDE 0636, part 21, 201 and DIN 43620 (dimensions).

NH fuse bases are available for delivery in single-pole and three-pole designs and can be closely mounted in parallel rows. Each three-pole base is supplied with two phase-partition walls. NH-ISO plug-on covers which clip onto the contact springs can also be supplied for these bases.

Ceramic fuse bases in sizes 00 to 3 are provided with a single-part steatite base, while size 4 has a metal baseplate with 2 ceramic bases. Plastic fuse bases have a single-part plastic base.

The stable silver-plated contact springs are made of electrolytic copper and formed from one piece. Separate springing is provided by highly resilient captive steel springs, making the contact invulnerable to high thermal stress.

Size 4 NH fuse bases are designed for size 4 fuse-links with 8 mm contact blades.
Size 4a fuse bases are designed for size 4a fuse-links with 6 mm contact blades.

690V Polyester fuse bases for NH fuse-links

- Polyester insulating bases
- Silver-plated contacts
- High-pressure spring contacts (see picture)
- Screw or rail mount

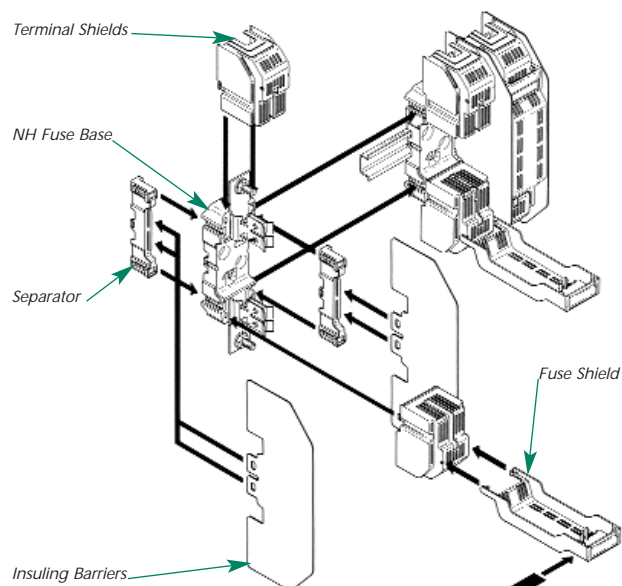


Type EP



Type PP

Connection Detail



Typical NH Polyester Fuse Base Assembly - Exploded View



IEC General Purpose Fuses NH Fuses Plastic Bases

00-EP/TP

Characteristics

- Thermoplastic base highly temperature resistant and self-extinguishable
- Silver-plated contacts with high-contact pressure springs
- Multipolar bases possible by direct linkage in 00 size and with separator accessory in sizes 0, 1, 2 and 3
- Variety of options for protecting active parts through use of accessories: separating plates, separator, cover shields and fuse cover
- Dual cable-connection system on 00 size: by screw or clamp
- Connecting cable: 50 mm
- Fixation on rail or by screw

Type 00-EP* – Fuse bases for NH-00 Fuse-links - Power acceptance: 12W

| Poles | Previous Ref. | | | | Ref. Number | | | | Cat. Number | | | | Pack. |
|-------|-----------------|----------|-----------------|----------|-----------------|----------|-----------------|----------|-----------------|---------------|-----------------|---------------|-------|
| | Screw Connector | | Clamp Connector | | Screw Connector | | Clamp Connector | | Screw Connector | | Clamp Connector | | |
| | Screw MT. | Rail MT. | Screw MT. | Rail MT. | Screw MT. | Rail MT. | Screw MT. | Rail MT. | Screw MT. | Rail MT. | Screw MT. | Rail MT. | |
| 1 | 41002 | 42002 | 41102 | 42102 | F215170 | R216192 | T219805 | F200795 | NH00BPLSC1PT0 | NH00BPLRL1PT0 | NH00BPLSC1PT2 | NH00BPLRL1PT2 | 3 |
| 2 | 41012 | 42012 | 41112 | 42112 | A217212 | F218758 | D200793 | T211594 | BB002EP | EPO02R | EPB002 | EPB002R | 2 |
| 3 | 41014 | 42014 | 41114 | 42114 | W229122 | V229121 | W201338 | C212108 | NH00BPLSC3PT0 | NH00BPLRL3PT0 | EPB003 | EPB003R | 1 |
| 4 | 41019 | 42019 | 41119 | 42119 | S219275 | Z223007 | R211592 | M215682 | EP004 | EPO04R | EPB004 | EPB004R | 1 |

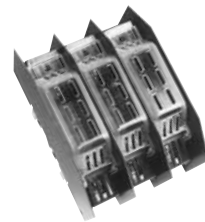
* EP bases have square contacts.



F215170



W229122

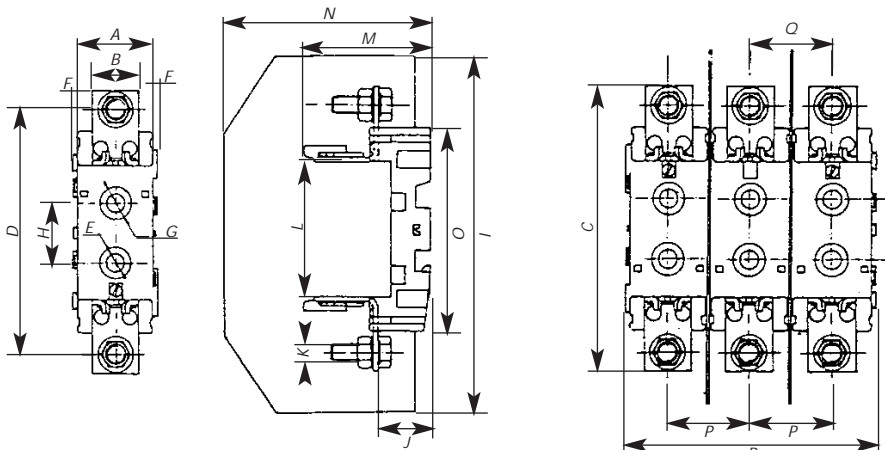


T229120

Type 00-TP - IP20 Fuse bases

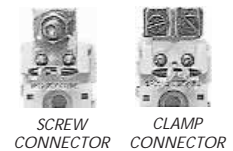
| Poles | Previous Ref. | | | | Ref. Number | | | | Cat. Number | | | | Pack. |
|-------|-----------------|----------|-----------------|----------|-----------------|----------|-----------------|----------|-----------------|----------|-----------------|----------|-------|
| | Screw Connector | | Clamp Connector | | Screw Connector | | Clamp Connector | | Screw Connector | | Clamp Connector | | |
| | Screw MT. | Rail MT. | Screw MT. | Rail MT. | Screw MT. | Rail MT. | Screw MT. | Rail MT. | Screw MT. | Rail MT. | Screw MT. | Rail MT. | |
| 1 | 41003 | 42003 | 41103 | 42103 | M216694 | S218240 | X223005 | D211074 | | | | | 3 |
| 3 | 41015 | 42015 | 41115 | 42115 | T229120 | S229119 | B211072 | J215173 | | | | | 1 |

Dimensions



| NH 00-E | |
|---------|------|
| A | 32 |
| B | 20 |
| C | 117 |
| D | 100 |
| E | 8 |
| F | 2 |
| G | 14 |
| H | 25 |
| I | 145 |
| J | 21,5 |
| K | 8 |
| L | 56 |
| M | 52 |
| N | 85 |
| O | 84 |
| P | 34 |
| Q | 1 |
| R | 104 |

Connection



SCREW CONNECTOR CLAMP CONNECTOR



Gears & Fuse Gears

IEC General Purpose Fuses NH Fuses Plastic Bases

O-EP - 0 to 3 PP

Type O-EP* - Fuse Bases for NH-0 Fuse-links - Power acceptance: 25W



S216193

| Poles | Previous Ref. Mounting Style | | Ref. Num Mounting Style | | Cat. Num Mounting Style | | Standard Pack |
|-------|---------------------------------|----------|----------------------------|----------|----------------------------|----------|------------------|
| | Screw | Din Rail | Screw | Din Rail | Screw | Din Rail | |
| 1 | 41202 | 42202 | B213142 | S216193 | NH0BPLSC1PT0 | EP01R | 3 |
| 2 | 41212 | 42212 | C214661 | P216696 | EP02 | EP02R | 2 |
| 3 | 41214 | 42214 | G215171 | C217214 | EP03 | EP03R | 1 |
| 4 | 41219 | 42219 | Q216191 | J217726 | EP04 | EP04R | 1 |

* EP bases have square contacts. PP bases have clips contacts.

Type O-PP - Fuse Bases for NH-0 Fuse-links

| | | | | | | | |
|---|-------|-------|---------|---------|------|-------|---|
| 1 | 41302 | 42302 | N216695 | T218241 | PP01 | PP01R | 3 |
| 2 | 41312 | 42312 | B217213 | G218759 | PP02 | PP02R | 2 |
| 3 | 41314 | 42314 | G217724 | W219278 | PP03 | PP03R | 1 |
| 4 | 41319 | 42319 | R218239 | H222486 | PP04 | PP04R | 1 |

Type 1-PP - Fuse Bases for NH-1 Fuse-links - Power acceptance: 32W



F222484

| | | | | | | | |
|---|-------|-------|---------|---------|--------------|-------|---|
| 1 | 41402 | 42402 | E218757 | A223008 | NH1BPLSC1PT0 | PP11R | 3 |
| 2 | 41412 | 42412 | F222484 | G200796 | PP12 | PP12R | 2 |
| 3 | 41414 | 42414 | Y223006 | Y201340 | PP13 | PP13R | 1 |
| 4 | 41419 | 42419 | X201339 | H201855 | PP14 | PP14R | 1 |

Type 2-PP - Fuse Bases for NH-2 Fuse-links - Power acceptance: 45W



B212107

| | | | | | | | |
|---|-------|-------|---------|---------|------|-------|---|
| 1 | 41502 | 42502 | F201853 | E211075 | PP21 | PP21R | 3 |
| 2 | 41512 | 42512 | S211593 | V211595 | PP22 | PP22R | 2 |
| 3 | 41514 | 42514 | B212107 | D212109 | PP23 | PP23R | 1 |
| 4 | 41519 | 42519 | C213143 | R212627 | PP24 | PP24R | 1 |

Type 3-PP - Fuse Bases for NH-3 Fuse-links - Power acceptance: 60W

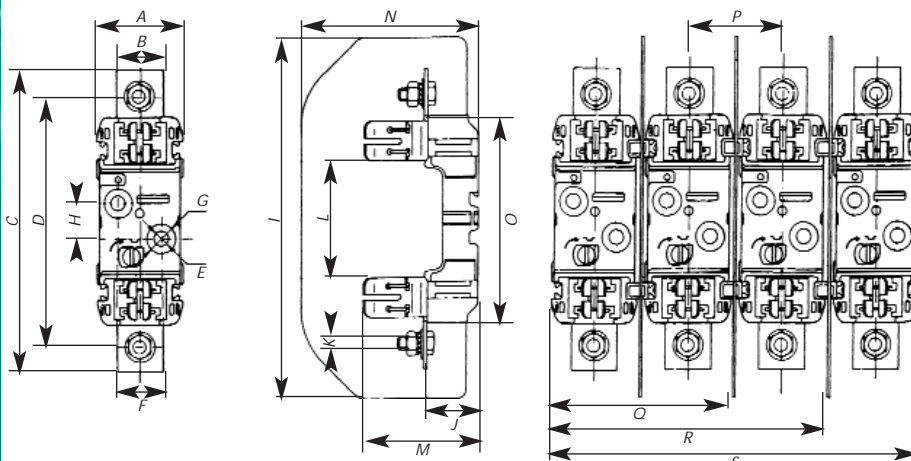


B212107

| | | | | | | | |
|---|-------|-------|---------|---------|--------------|-------|---|
| 1 | 41602 | 42602 | W213643 | X213644 | NH3BPLSC1PT0 | PP31R | 3 |
| 2 | 41612 | 42612 | D214662 | B214154 | PP32 | PP32R | 2 |
| 3 | 41614 | 42614 | H215172 | F214664 | PP33 | PP33R | 1 |
| 4 | 41619 | 42619 | L215681 | K215174 | PP34 | PP34R | 1 |

For NH-4 Fuse Bases, see "5\$" section

Dimensions of Polyester Fuse - Bases for NH Fuse-Links



| | O-EP | O-PP | 1-PP | 2-PP | 3-PP |
|---|-------|-------|-------|-------|-------|
| A | 46 | 46 | 60 | 60 | 60 |
| B | 20 | 25 | 32 | 35 | 40 |
| C | 168 | 168 | 209 | 225 | 241 |
| D | 150.5 | 150.5 | 176 | 201 | 210 |
| E | 7.5 | 7.5 | 10.5 | 10.5 | 10.5 |
| F | - | - | 30 | 30 | 30 |
| G | 14.5 | 14.5 | 20.5 | 20.5 | 20.5 |
| H | 25 | 25 | 25 | 25 | 25 |
| I | 185 | 185 | 250 | 250 | 270 |
| J | 29 | 29 | 35 | 35 | 35 |
| K | M8 | M8 | M10 | M10 | M12 |
| L | 74 | 75 | 81 | 81 | 81 |
| M | 59 | 61 | 71 | 89 | 103 |
| N | 95 | 95 | 122.5 | 122.5 | 142.5 |
| O | 122 | 122 | 146 | 146 | 146 |
| P | 48.5 | 48.5 | 65.5 | 65.5 | 81.5 |
| Q | 94 | 94 | 125.5 | 125.5 | 141.5 |
| R | 142 | 142 | 191 | 191 | 223 |
| S | 190 | 190 | 256.5 | 256.5 | 304.5 |



IEC General Purpose Fuses NH Fuses Plastic Bases

Sizes 00 to 3

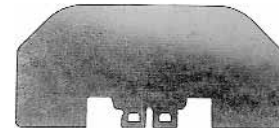
Insulating Barriers for Polyester NH Fuse Bases

| Size | Previous Ref. | Reference Number | Catalog Number | Pack |
|----------------|---------------|------------------|----------------|------|
| 00 | 44502 | W212654 | NH00WALL | 2 |
| 0 | 44504 | Z213669 | NH0WALL | 2 |
| 1-2 | 44510 | J214690 | NH1NH2WALL | 2 |
| 3 | 44512 | Q215708 | NH3WALL | 2 |
| 00* 3 poles | 84392 | B233865 | | 2 |

* ref number V229121 and W229122 only



W212654



J214690

Separators

| | | | | |
|-----|-------|---------|------------|---|
| 0 | 44604 | V216724 | NH0CONN | 2 |
| 1-2 | 44610 | N217753 | NH1NH2CONN | 2 |
| 3 | 44612 | M218787 | NH3CONN | 2 |



N217753

Fuse Shields

| | | | | |
|------|-------|---------|-------------|---|
| 00 | 44802 | G213170 | NH00LUGCV | 3 |
| 00* | | B233566 | | 3 |
| 0 | 44804 | F214181 | | 3 |
| 0* | | D233568 | | 3 |
| 1-2 | 44810 | K214691 | NH1NH2LUGCV | 3 |
| 1-2* | | E233569 | | 3 |
| 3 | 44812 | R215709 | NH3LUGCV | 3 |
| 3* | | F233570 | | 3 |

* for use of microswitch



G213170

Terminal Shields

| | | | | |
|----|-------|---------|------------|---|
| 00 | 44702 | M222513 | NH00TERMCV | 6 |
| 0 | 44704 | K200822 | NH0TERMCV | 6 |
| 1 | 44708 | L201881 | NH1TERMCV | 6 |
| 2 | 44710 | Y211621 | NH2TERMCV | 6 |
| 3 | 44712 | X212655 | NH3TERMCV | 6 |



M222513

Complete references for IP2X Fuse Bases (no microswitch possible) Fixation on rail

| Size | Pole | Ref. Num. | Cat. Num | Pack |
|------|------|-----------|-----------|------|
| 00 | 1 | S218240 | | 3 |
| | 3 | S229119 | | 1 |
| 0 | 1 | G226717 | EPO1RIP20 | 3 |
| | 3 | J226719 | EPO3RIP20 | 1 |
| 1 | 1 | P226724 | PP11RIP20 | 3 |
| | 3 | Q226725 | PP13RIP20 | 1 |

| Size | Pole | Ref. Num. | Cat. Num | Pack |
|------|------|-----------|-----------|------|
| 2 | 1 | R226726 | PP21FSR | 3 |
| | 3 | S226727 | PP23FSR | 1 |
| 3 | 1 | T226728 | PP31RIP20 | 3 |
| | 3 | V226729 | PP33RIP20 | 1 |

Fixation by screw

| Size | Pole | Ref. Num. | Cat. Num | Pack |
|------|------|-----------|----------|------|
| 00 | 1 | M216694 | | 3 |
| | 3 | T229120 | | 1 |
| 0 | 1 | X226708 | | 3 |
| | 3 | Z226710 | | 1 |
| 1 | 1 | V219806 | PP1IP20 | 3 |
| | 3 | B226712 | | 1 |

| Size | Pole | Ref. Num. | Cat. Num | Pack |
|------|------|-----------|----------|------|
| 2 | 1 | C226713 | PP24FS | 3 |
| | 3 | D226714 | | 1 |
| 3 | 1 | E226715 | | 3 |
| | 3 | F226716 | | 1 |



Gears & Fuse Gears

IEC General Purpose Fuses NH Fuses Plastic Bases



Sizes 00 to 3

One Cable - Terminal for NH Bases

| Base Size | Cable Size(mm) | | Previous Reference | Ref. Number | Catalog Number | Standard Pack |
|-----------|----------------|------|--------------------|-------------|----------------|---------------|
| | Max. | Min. | | | | |
| 00 | 50 | 6 | 45421 | Q217755 | | 60 |
| 00-0 | 95 | 10 | 45423 | A218270 | | 50 |
| 1 | 150 | 16 | 45425 | N218788 | | 30 |
| 2-3 | 240 | 50 | 45427 | A219305 | | 15 |



N218788

Two Cables - Terminal for NH Bases

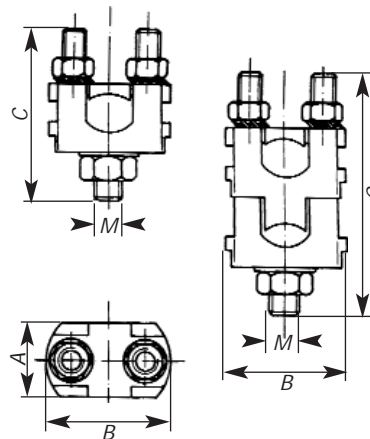
| Base Size | Cable1 Size(mm) | | Cable2 Size(mm) | | Previous Reference | Ref. Number | Catalog Number | Stand. Pack |
|-----------|-----------------|------|-----------------|------|--------------------|-------------|----------------|-------------|
| | Max. | Min. | Max. | Min. | | | | |
| 00 | 50 | 6 | 50 | 6 | 45431 | B219835 | | 60 |
| 00-0 | 95 | 10 | 95 | 10 | 45433 | P222515 | | 30 |
| 1 | 150 | 25 | 150 | 16 | 45435 | F223036 | | 20 |
| 2-3 | 240 | 95 | 240 | 50 | 45437 | B201366 | | 5 |



F223036

Dimensions of Terminals

| Previous Reference | A | B | C | M |
|--------------------|----|----|----|----|
| 45421 | 18 | 26 | 34 | 6 |
| 45423 | 24 | 35 | 52 | 8 |
| 45425 | 26 | 41 | 58 | 10 |
| 45427 | 36 | 53 | 68 | 12 |
| 45431 | 18 | 26 | 39 | 6 |
| 45433 | 24 | 35 | 82 | 8 |
| 45435 | 26 | 41 | 84 | 10 |
| 45437 | 36 | 53 | 98 | 12 |



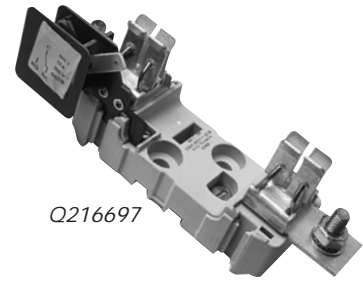
Gears & Fuse Gears



IEC General Purpose Fuses NH Fuses Plastic Bases



Sizes 00 to 3

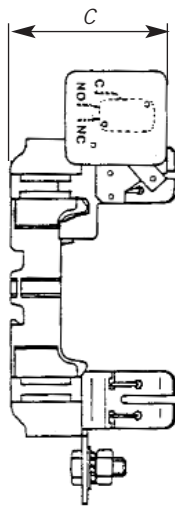
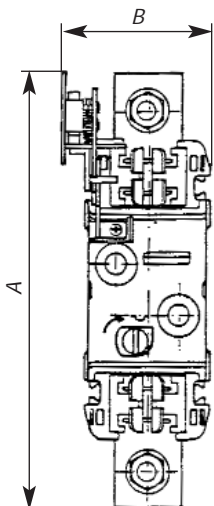


Fuse bases 690V for HRC fuse-links NH with striker

- For fuse-links with striker
- Rail or screw fixing



| Size | In (A) | Prev. Ref. | Cat. Number | Ref. Number | Packing |
|------|--------|------------|-------------|-------------|---------|
| 0 | 160 | 42906 | | T216194 | 1 |
| 1 | 250 | 42908 | | Q216697 | 1 |
| 2 | 400 | 42910 | | D217215 | 1 |
| 3 | 630 | 42912 | | H218760 | 1 |

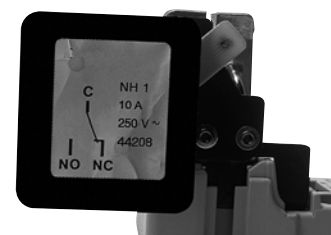


| | NH-0 | NH-1 | NH-2 | NH-3 |
|---|------|------|------|------|
| A | 192 | 213 | 222 | 233 |
| B | 64 | 93 | 73 | 80 |
| C | 66 | 77 | 82 | 83 |

Microswitch (sold separately)

- Microswitch for NH fuse bases in polyester material (screw or rail fixing).
- Microswitch operates when:
 - fuse melts
 - no fuse-link
- Operating voltage: 250 V~
- Rated current: 10 A.
- Terminal size: 6.3 x 0.8 mm.

If you are interested in ordering microswitch and NH fuse base separately: T218241 + X219279 same size as T216194 (size 0)

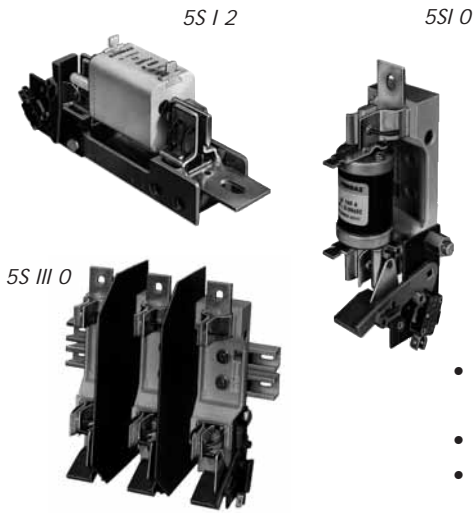


| Size | In (A) | Prev. Ref. | Cat. Number | Ref. Number | Packing |
|------|--------|------------|-------------|-------------|---------|
| 0 | 160 | 44206 | | X219279 | 1 |
| 1 | 250 | 44208 | | Y219809 | 1 |
| 2 | 400 | 44210 | | J222487 | 1 |
| 3 | 630 | 44212 | | B223009 | 1 |



Gears & Fuse Gears

IEC General Purpose Fuses NH Fuses Plastic Bases



5S - 00 to 4

- SHOCK-PROOF ASSEMBLY FOR HIGH THERMAL AND MECHANICAL WITHSTAND
- MOUNTING ON BASE WITH OR WITHOUT MICROSWITCH
- SELF-EXTINGUISHABLE FIBERGLASS POLYESTER BASE, SILVER-PLATED COPPER CLIPS WITH STAINLESS STEEL SPRINGS
- COMPLIANT WITH IEC 60269.2.1 AND DIN 43620 STANDARDS

Main Characteristics

| Type and size | Voltage rating UN (V) | Impulse withstand voltage Uimp (kV) | Fuse current rating I _N (A) | Maximum fuse operating current (A) | | | | | Recommended copper wire size (mm ²) | Fire and fumes class NF F 16 - 101 and 102 and UL |
|--|-------------------------|-------------------------------------|--|--------------------------------------|------|------|----------|----------|---|---|
| | | | | gG | aM | URGB | 690V gRB | 690V URB | | |
| 5S I 0 5S II 0 5S III 0 5S IV 0 | 690 | | 125 | 160 | 160 | | | | 50 | L 94 VO |
| | | | 160 | | | | | | 70 | |
| | | | 200 | | | | | | 95 | |
| | | | 250 | | | | | | 120 | |
| | | | 315 | | | | | | 185 | |
| 350 | | | | | | | | | | |
| 400 | | | 360 | | | | | | 240 | |
| 280 | | | 150 | | | | | | | |
| 315 | | | 185 | | | | | | | |
| 350 | | | 185 | | | | | | | |
| 400 | | | 240 | | | | | | | |
| 450 | | | 2x30x5 | | | | | | | |
| 500 | | | 2x30x5 | | | | | | | |
| 550 | | | 2x40x5 | | | | | | | |
| 630 | | | 2x40x5 | | | | | | | |
| 5S I 1 5S II 1 5S III 1 5S IV 1 | 690 | | 450 | 500 | 500 | | | | 2x30x5 | UL 94 VO |
| | | | 500 | | | | | | 2x40x5 | |
| | | | 550 | | | | | | 2x40x5 | |
| | | | 630 | | | | | | 2x50x5 | |
| | | | 700 | | | | | | 2x50x5 | |
| 800 | | | 720 | | | | | | 2x50x5 | |
| 900 | | | 810 | | | | | | 2x60x5 | |
| 500 | | | 2x30x5 | | | | | | | |
| 550 | | | 2x40x5 | | | | | | | |
| 630 | | | 2x40x5 | | | | | | | |
| 700 | | | 2x50x5 | | | | | | | |
| 800 | | | 800 | | | | | | 2x50x5 | |
| 900 | | | 855 | | | | | | 2x60x5 | |
| 1000 | | | 950 | | | | | | 2x60x5 | |
| 1100 | | | | | | | | | 990 | |
| 1250 | | 1070 | 2x80x5 | | | | | | | |
| 5S I 2 | 1250 | 1250 | 1250 | 1250 | 1250 | | | 2x80x5 | | |

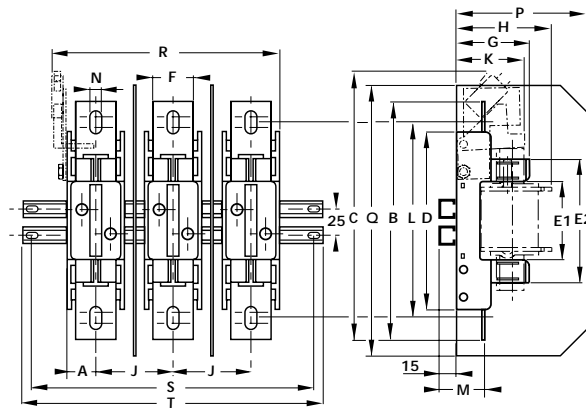
Gears & Fuse Gears



IEC General Purpose Fuses NH Fuses Plastic Bases

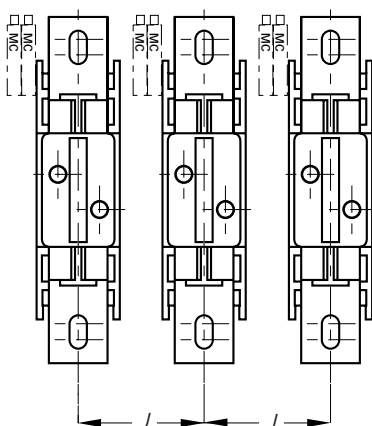
5S - 00 to 4

Multipolar Fuse Holders for Blade-style Fuses Sizes 0 - 1 - 2 - 3 With microswitch



| Size | A | B | C | D | E ₁ | E ₂ | F | G | H | J | K | L | M | N | P | Q | R | | | S | | | T | | |
|------|------|-----|-----|-----|----------------|----------------|----|------|-------|------|----|-----|------|-----|-----|-----|-------|-----|-------|-----|-----|-----|-----|-----|-----|
| | | | | | | | | | | | | | | | | | II | III | IV | II | III | IV | II | III | IV |
| 0 | 23.5 | 177 | 206 | 133 | 77 | 121 | 25 | 77 | 87.5 | 61.5 | 85 | 150 | 40.5 | 8.5 | 90 | 190 | 121.5 | 183 | 244.5 | 137 | 202 | 252 | 158 | 223 | 273 |
| 1 | 29.5 | 207 | 220 | 181 | 81.5 | 135.5 | 32 | 81.5 | 104.5 | 73.5 | 85 | 175 | 52 | 11 | 110 | 220 | 145.5 | 219 | 292.5 | 165 | 242 | 308 | 186 | 263 | 329 |
| 2 | 29.5 | 244 | 256 | 181 | 83 | 134 | 40 | 78 | 108 | 77.5 | 80 | 200 | 42 | 11 | 120 | 270 | 149.5 | 227 | 304.5 | 165 | 242 | 326 | 186 | 263 | 347 |
| 3 | 29.5 | 244 | 256 | 181 | 83 | 134 | 40 | 83 | 117 | 85 | 80 | 210 | 46.5 | 11 | 120 | 270 | 157 | 242 | 327 | 179 | 264 | 342 | 200 | 285 | 363 |

Multipolar configurations with one-pole Fuse Holder assembly With microswitch - Without partition



| Size | J (mm) |
|------|--------|
| 00 | - |
| 0 | 61.5 |
| 1 | 73.5 |
| 2 | 73.5 |
| 3 | 85 |
| 4 | 120 |



Gears & Fuse Gears

IEC General Purpose Fuses NH Fuses Plastic Bases

5S - 00 to 4

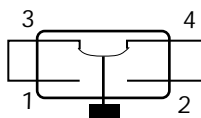
Accessories



| Accessory type | Size | Cat. Num. | Ref. Num. | Weight (g) | Packaging |
|---------------------|------|-------------|-----------|------------|-----------|
| simple microswitch | 0 | MC 2-5 T0-1 | Q 091462 | 64 | 1 |
| | 1 | MC 2-5 T0-1 | Q 091462 | 64 | 1 |
| | 2 | MC 2-5 T2-3 | R 091463 | 64 | 1 |
| | 3 | MC 2-5 T2-3 | R 091463 | 64 | 1 |
| twin microswitch | 0 | MC 2-9 T0-1 | S 091464 | 70 | 1 |
| | 1 | MC 2-9 T0-1 | S 091464 | 70 | 1 |
| | 2 | MC 2-9 T2-3 | T 091465 | 73 | 1 |
| | 3 | MC 2-9 T2-3 | T 091465 | 73 | 1 |
| isolating partition | 0 | CI 0 | M 091344 | 37 | 2 |
| | 1 | CI 1 | N 091345 | 110 | 2 |
| | 2 | CI 2+Ent. | P 091346 | 83 | 2 |
| | 3 | CI 3+Ent. | Q 091347 | 83 | 2 |
| pull-out handle | 0 | | | | |
| | 1 | PMP | E 097708 | 160 | 1 |
| | 2 | | | | |
| | 3 | | | | |

Microswitches

- Microswitches are designed to fit one-pole fuse-holders from size 0 to 4 enabling:
 - blown-fuse indication
 - Fuse presence indication
- Remote-sensing microswitches are single- or twin-reversing models with electrical features 220 V - 10 A - $\cos \varphi = 0.3$.
- For size 0 to 3 fuse holders, microswitches delivered separately and side-mounted by means of an insert and special screw.
- For size 4 fuse holders, microswitches factory assembled.
- For multipolar fuse holders, a single microswitch is mounted for entire assembly.



With hand-reset style microswitch
#1 and 3 terminals must always be connected

Mounting of screw and insert



Isolating Partitions

- Isolating partitions fit fuse holders sizes 0 - 1 - 2 - 3. No partition is available for size 4.
- Fitting of partitions:
 - by direct snap-mounting for sizes 0 and 1 fuse holders
 - by means of spacers for sizes 2 and 3
- For multipolar assemblies, isolating partitions are mounted between each pole.



Pull-out Handle

For removing fuses, a pull-out handle snaps on the fuse lugs designed for this operation.



Gears & Fuse Gears



IEC General Purpose Fuses NH Fuses Plastic Bases

5S - 00 to 4

Fuse holders with indication

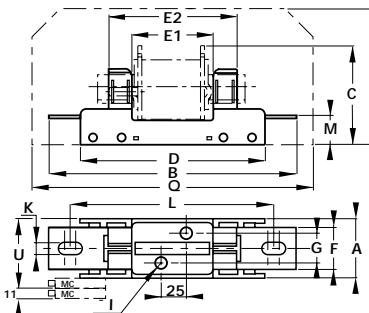
| Size and number of poles | Designation | Reference Number | Catalog Number | Weight (g) | Packaging |
|--------------------------|-------------------|------------------|----------------|------------|-----------|
| 00 1 | | | | | 3 |
| 0 2 | 5S II 0 MCN | H 091363 | 5S02MCN | 720 | 1 |
| | 5S III 0 MCN | N 091368 | 5S03MCN | 975 | 1 |
| | 5S IV 0 MCN | T 091373 | 5S04MCN | 1230 | 1 |
| 1 2 | 5S II 1 MCN | J 091364 | 5SII1MCN | 1370 | 1 |
| | 5S III 1 MCN | P 091369 | 5SIII1MCN | 2000 | 1 |
| | 5S IV 1 MCN | V 091374 | 5SIV1MCN | 2630 | 1 |
| 2 2 | 5S II 2 MCN | K 091365 | 5SII2MCN | 2170 | 1 |
| | 5S III 2 MCN | Q 091370 | 5SIII2MCN | 2900 | 1 |
| | 5S IV 2 MCN | W 091375 | 5SIV2MCN | 3630 | 1 |
| 3 2 | 5S II 3 MCN | L 091366 | | 3030 | 1 |
| | 5S III 3 MCN | R 091371 | | 4170 | 1 |
| | 5S IV 3 MCN | X 091376 | | 5310 | 1 |
| 4 1 | 5S I 4+MC 2-5 T 4 | G 091362 | 5SI4+MC2-5T4 | 2590 | 3 |

* Models supplied in kit form: fuse holder + microswitch

Fuse holders without indication

| Size and number of poles | Designation | Reference Number | Catalog Number | Weight (g) | Packaging |
|--------------------------|-------------|------------------|----------------|------------|-----------|
| 4 1 | 5S I 4 | L091343 | | 2500 | 1 |

One-pole Fuse Holders for Blade-style fuses Sizes 00 - 0 - 1 - 2 - 3



Elastic clamping

| Size | A | B | C | D | E ₁ | E ₂ | F | G | Ø1 | J ₁ | J ₂ | J ₃ | K | L | M | P | Q | U |
|------|------|-----|------|-----|----------------|----------------|----|----|-----|----------------|----------------|----------------|-----|-----|------|-----|-----|----|
| 00 | 38 | 128 | 82 | 85 | 58 | - | 20 | 0 | 7.5 | 40 | - | - | 9 | 105 | 25.5 | - | - | - |
| 0 | 48 | 177 | 87.5 | 133 | 77 | 121 | 25 | 0 | 7 | 50 | 48 | 61.5 | 8.5 | 150 | 25.5 | 95 | 190 | 64 |
| 1 | 58.5 | 207 | 105 | 135 | 81.5 | 135.5 | 32 | 30 | 9 | 62 | 60 | 73.5 | 11 | 175 | 37 | 110 | 220 | 76 |
| 2 | 58.5 | 244 | 108 | 181 | 83 | 134 | 40 | 30 | 9 | 70 | 68 | 73.5 | 11 | 200 | 27 | 120 | 270 | 76 |
| 3 | 58.5 | 244 | 117 | 181 | 83 | 134 | 40 | 30 | 9 | 85 | 63 | 85 | 11 | 210 | 31.5 | 120 | 270 | 76 |

One-pole Fuse Holders for Blade-style fuses Sizes 4

Forced clamping

