

5

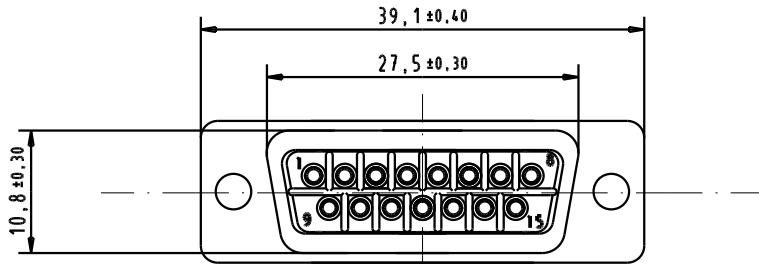
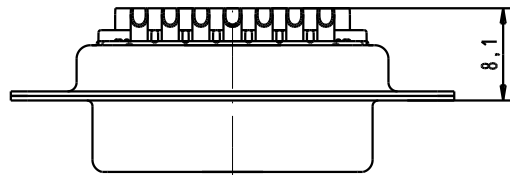
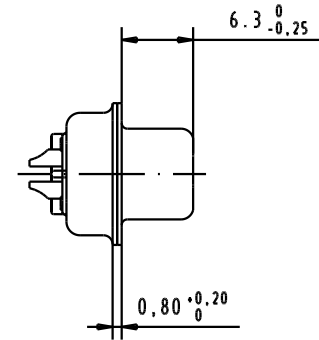
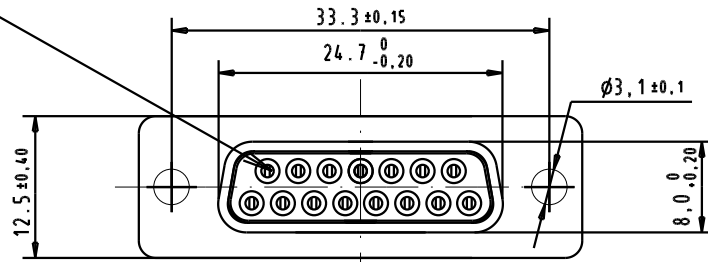
4

3

2

1

Mating face according to : MIL-C-24308 / DIN 41652 / CECC 75.01-802



1) Protection standard IP 67 according to IEC 529 / DIN 40050.

2) Cable: AWG 20 max

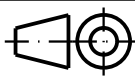

D

C

B

A

09 67 415 4715	Au plating 0,76 µm mini
Part Number	Performance Level

						 All Dim. in mm Orig. Size DIN A 4	D-SUB IP67 female 15 Poles straight solder cup	Moßstab/ Scale
			Detail.	15/02/04	S.H.			
			Insp.					
			Stand.					
31587	15/02/04	S.H.	HARTING ELEKTRONIK F-95972 Paris				TB 09 67 415 4715	Blatt/ Page
Mod.	Dat.	Name						
						Sub.		

Mouser Electronics

Authorized Distributor

Click to View Pricing, Inventory, Delivery & Lifecycle Information:

[HARTING:](#)

[09674154715](#)