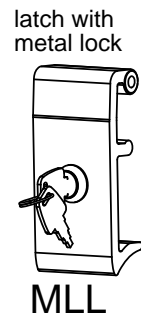
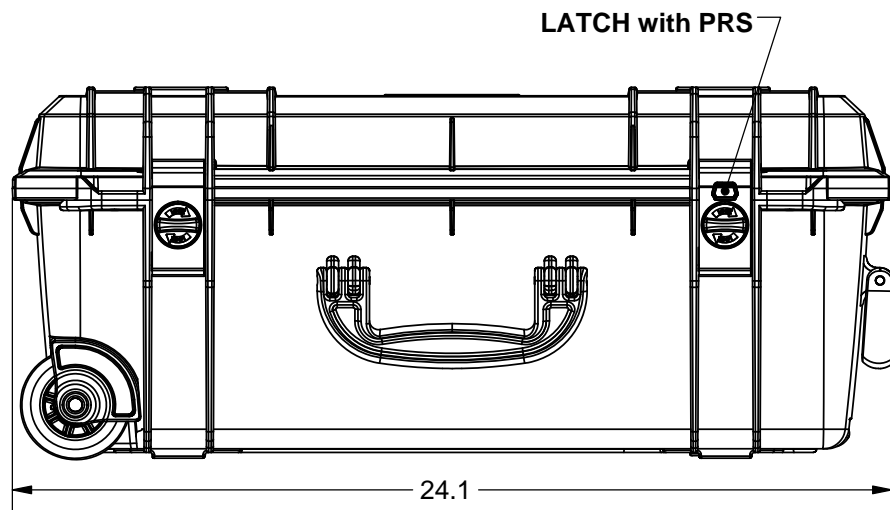
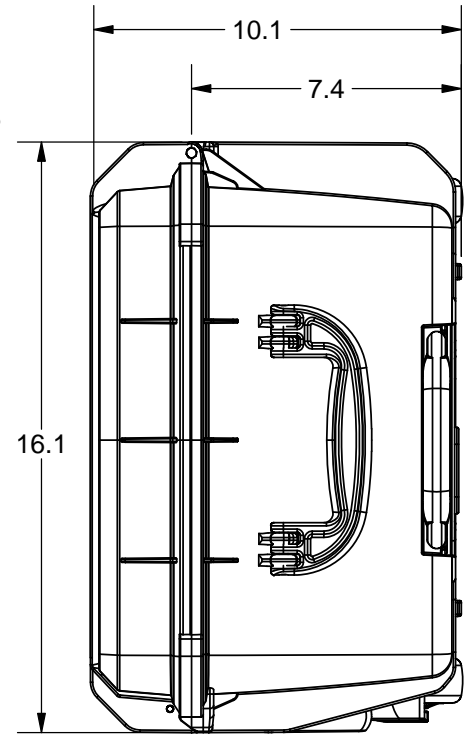
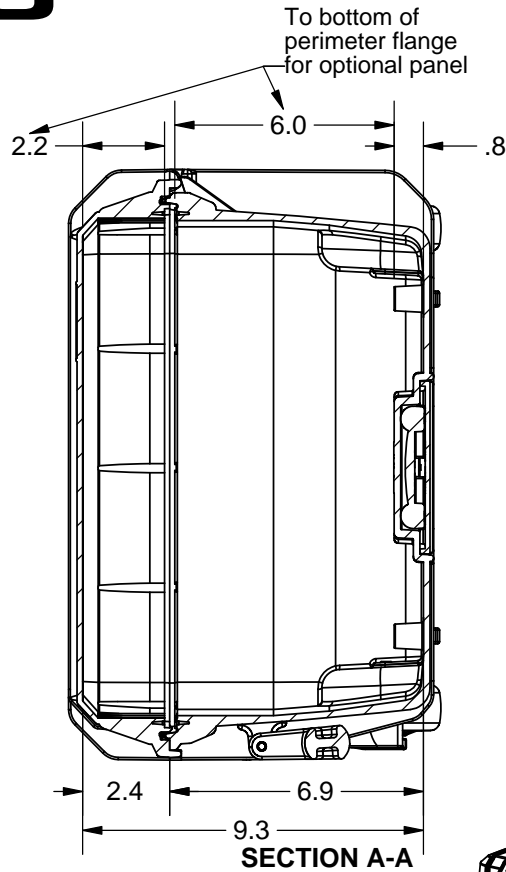
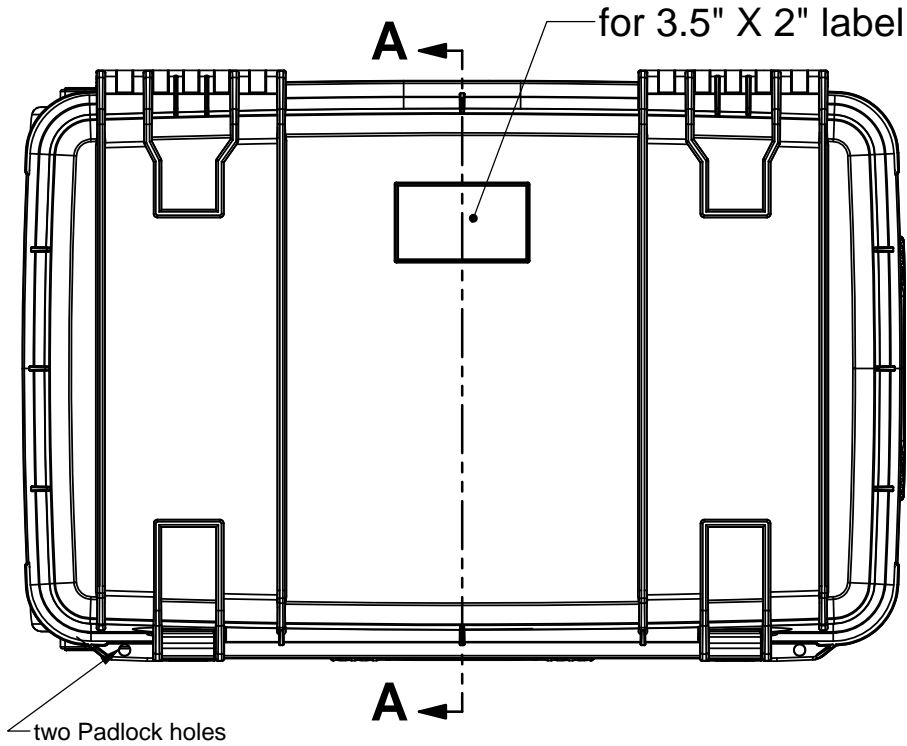
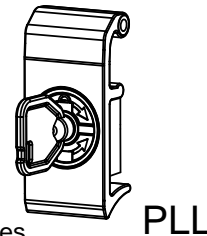


SERPAC SE920

Electronic Enclosures



latch with plastic lock



Optional latches must be specified at time of order. See note 2

NOTES:

- 1) Max. usable inside dimensions are:
22 1/8" X 13 1/2" X 8 1/2" (9 5/16" bottom of boss)
(22.1" X 13.5" X 8.5")
- 2) With Metal Lock Latches p/n SE920ML and Plastic Lock Latches p/n SE920PL are optional.
- 3) Bosses on bottom use a 1/4 self tapping screw.

Mouser Electronics

Authorized Distributor

Click to View Pricing, Inventory, Delivery & Lifecycle Information:

SERPAC:

[SE920F,BK](#) [SE920F,YL](#) [SE920F,GM](#) [SE920F,OR](#) [SE920,300](#) [SE920F,300](#) [SE920FPLL,BK](#) [SE920FPLL,GM](#)
[SE920FPLL,OR](#) [SE920FPLL,YL](#) [SE920PLL,BK](#) [SE920PLL,GM](#) [SE920PLL,OR](#) [SE920PLL,YL](#) [SE920FPLL,300](#)
[SE920PLL,300](#)