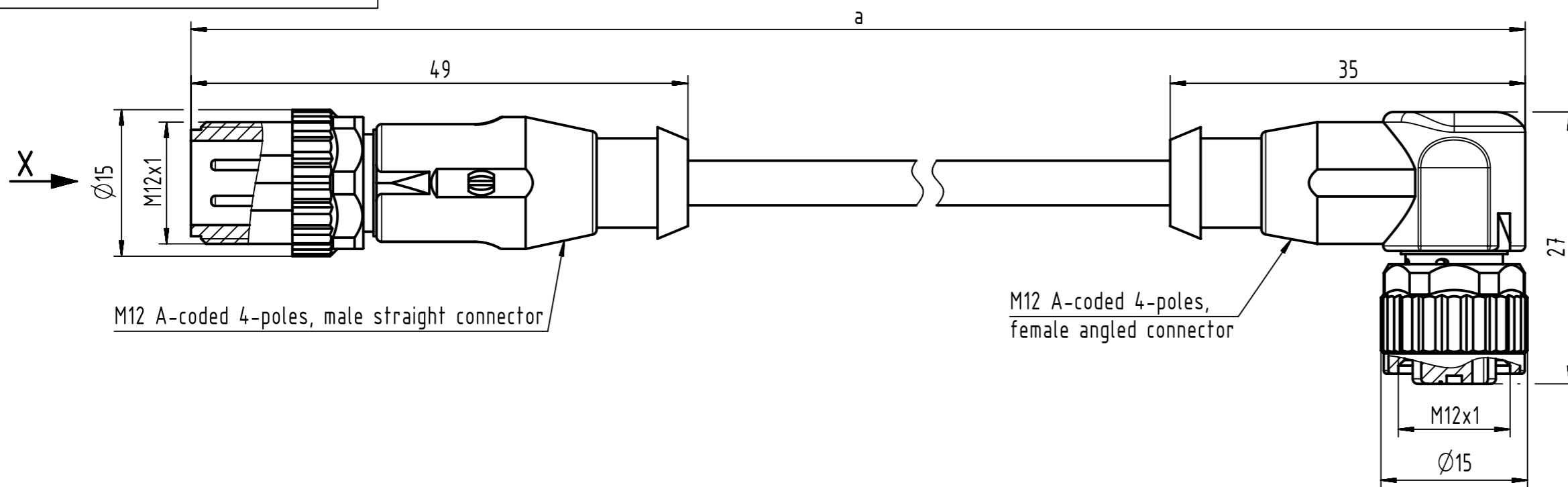


Connector Location A

Connector Location B



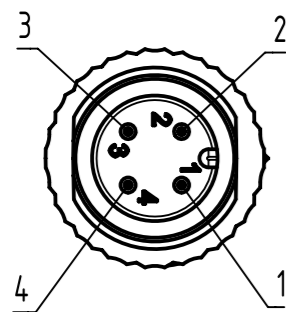
M12 A-coded 4-poles, male straight connector

M12 A-coded 4-poles, female angled connector

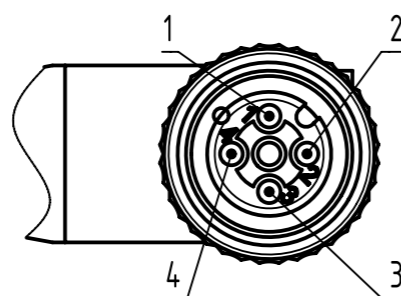
X

Y

Loading-Plan:



- 1 brown
- 2 white
- 3 blue
- 4 black



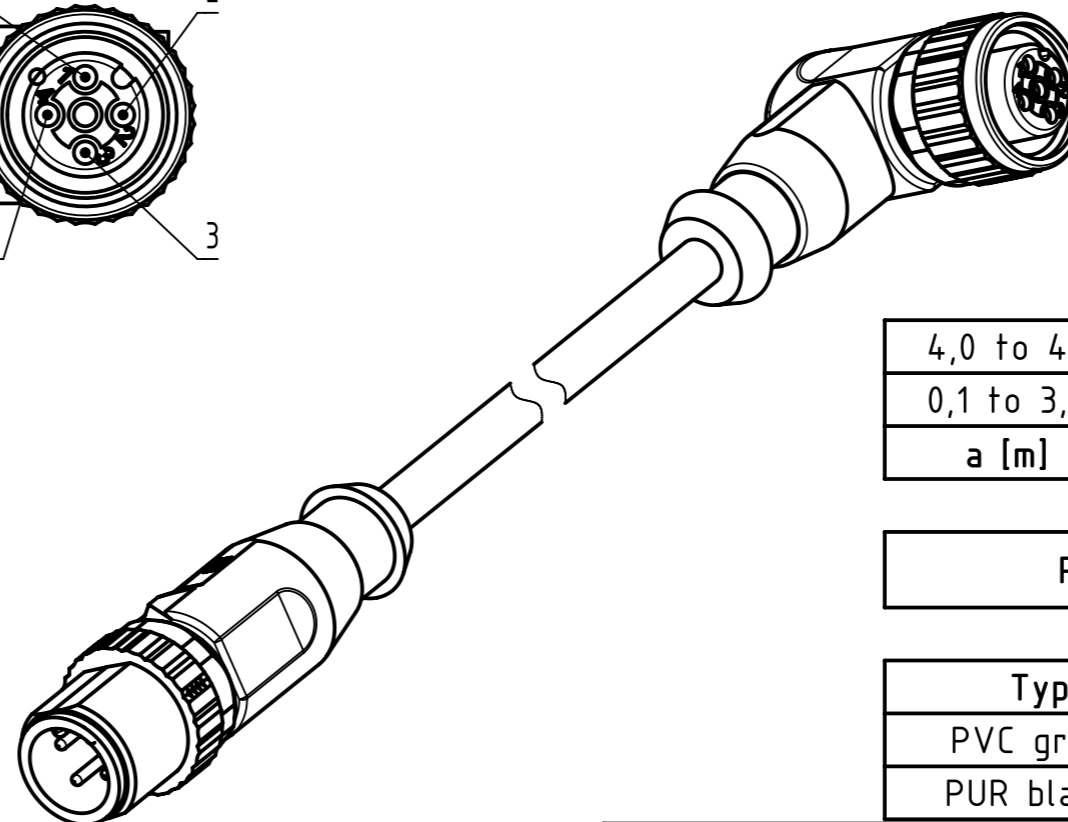
length in "1m" step	40	XXX=400
	39	XXX=390
	.	.
	12	XXX=120
length in "0,1m" step	11	XXX=110
	10	XXX=100
	9,9	XXX=099
	9,8	XXX=098
	.	.
	0,4	XXX=004
	0,3	XXX=003
	0,2	XXX=002
	0,1	XXX=001
Step	a [m]	XXX

4,0 to 40	+1%
0,1 to 3,9	+0,04
a [m]	Tolerance

Part no.	213484874XXXXX
----------	----------------

Type of cable	XX
PVC grey, 4x0,34mm ²	XX=84
PUR black, 4x0,34mm ²	XX=91

- Protection level: IP 65/67
 - Temperature range: -25°C ... +80°C



All rights reserved Department HCS - RO HARTING Customised Solutions D-32427 Minden	All Dimensions in mm Tech. Character. Free size tol. According to production drawing 2016-09-06	Created by MUNTEANV	Inspected by POPESCUD	Standardisation AVRAM	Date 2016-10-18	State Final Release
	Title M12 A-coded Cable Assembly	Doc-Key / ECM-Nr. 100578701/UGD/009/C 500000110313	Type TB	Number 213484874XXXXX	Rev. C	Page 1/1

Mouser Electronics

Authorized Distributor

Click to View Pricing, Inventory, Delivery & Lifecycle Information:

HARTING:

[21348487484075](#) [21348487484005](#) [21348487491050](#) [21348487491100](#) [21348487484020](#) [21348487491015](#)
[21348487484015](#) [21348487491005](#) [21348487491010](#) [21348487491020](#) [21348487491075](#) [21348487484100](#)