

AMP UNIVERSAL POWER PLUG 2P ✓ ACTIVE

AMP Universal Power

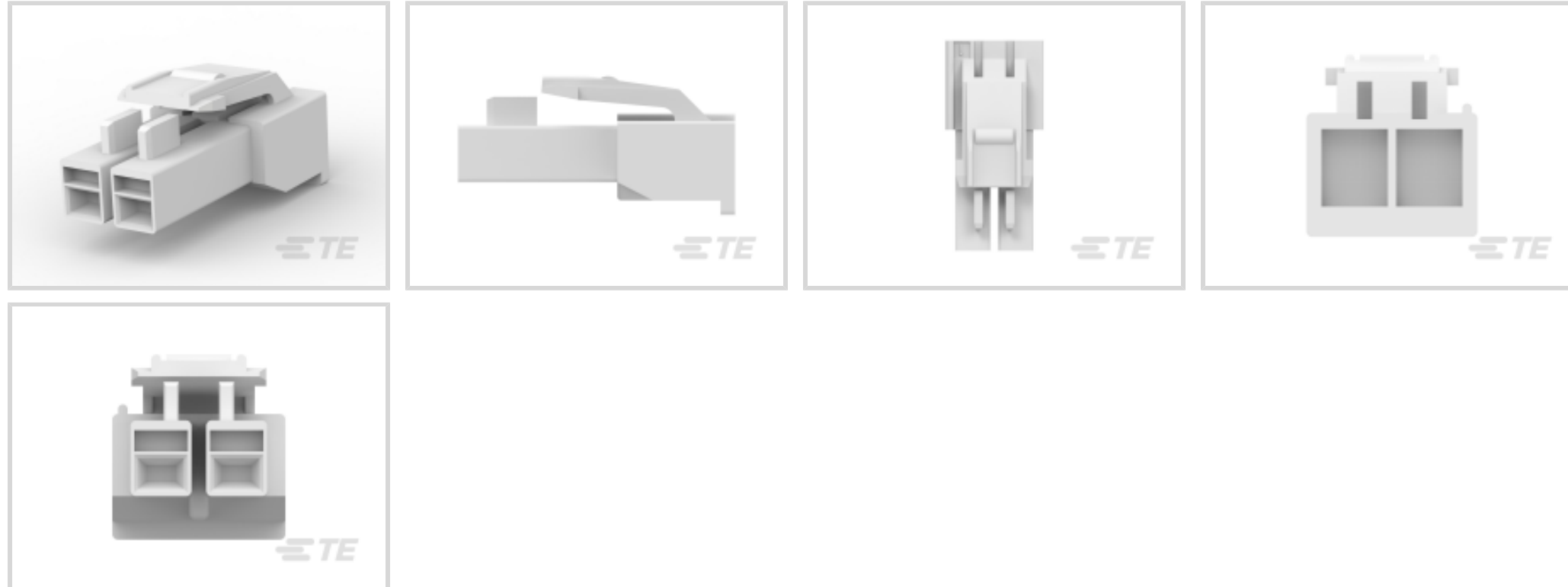
TE Part # 176271-1

TE Internal #: 176271-1

[View on TE.com >](#)



Connectors > Power Connectors > Rectangular Power > Rectangular Power Connectors



Product Type: **Housing**

Housing Type: **Plug**

Connector System: **Wire-to-Wire**

Number of Positions: **2**

Centerline (Pitch): **3.96 mm [.156 in]**

Features

Product Type Features

Product Type	Housing
Housing Type	Plug
Connector System	Wire-to-Wire
Sealable	No
Connector & Contact Terminates To	Wire & Cable
Contact Type	Socket

Configuration Features

Number of Positions	2
Number of Power Positions	0
Number of Signal Positions	0
Number of Rows	1

Electrical Characteristics

Operating Voltage	300 VAC
-------------------	---------

Contact Features

Contact Layout	Inline
----------------	--------

Contact Retention	Without
-------------------	---------

Termination Features

Termination Method to Wire & Cable	Crimp
------------------------------------	-------

Mechanical Attachment

Strain Relief	Without
---------------	---------

Mating Alignment Type	Polarization
-----------------------	--------------

Mating Alignment	Without
------------------	---------

Panel Mount Feature	Without
---------------------	---------

PCB Mount Retention	Without
---------------------	---------

Connector Mounting Type	Cable Mount (Free-Hanging)
-------------------------	----------------------------

Mating Retention	With
------------------	------

Mating Retention Type	Latch
-----------------------	-------

Housing Features

Centerline (Pitch)	3.96 mm [.156 in]
--------------------	-------------------

UL Flammability Rating	UL 94V-0
------------------------	----------

Housing Color	Natural
---------------	---------

Housing Material	PA 6/6
------------------	--------

Dimensions

Height	10.05 mm
--------	----------

Length	9.06 mm
--------	---------

Usage Conditions

Operating Temperature Range	-30 – 105 °C [-22 – 221 °F]
-----------------------------	-----------------------------

Operation/Application

Circuit Application	Power & Signal
---------------------	----------------

Industry Standards

Glow Wire Rating	Standard Part - Not Glow Wire
------------------	-------------------------------

Packaging Features

Packaging Method	Bag
------------------	-----

Packaging Quantity	1000
--------------------	------

Other

For Use With	Cap Housing
--------------	-------------



Product Compliance

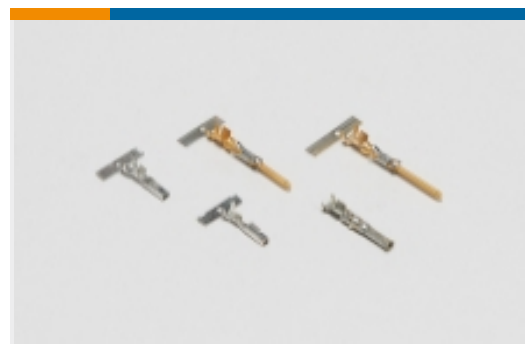
[For compliance documentation, visit the product page on TE.com>](#)

EU RoHS Directive 2011/65/EU	Compliant
EU ELV Directive 2000/53/EC	Compliant
China RoHS 2 Directive MIIT Order No 32, 2016	No Restricted Materials Above Threshold
EU REACH Regulation (EC) No. 1907/2006	Current ECHA Candidate List: JAN 2019 (197) Candidate List Declared Against: JAN 2019 (197)
Halogen Content	Low Halogen - Br, Cl, F, I < 900 ppm per homogenous material. Also BFR/CFR/PVC Free
Solder Process Capability	Not applicable for solder process capability

Product Compliance Disclaimer

This information is provided based on reasonable inquiry of our suppliers and represents our current actual knowledge based on the information they provided. This information is subject to change. The part numbers that TE has identified as EU RoHS compliant have a maximum concentration of 0.1% by weight in homogenous materials for lead, hexavalent chromium, mercury, PBB, PBDE, DBP, BBP, DEHP, DIBP, and 0.01% for cadmium, or qualify for an exemption to these limits as defined in the Annexes of Directive 2011/65/EU (RoHS2). Finished electrical and electronic equipment products will be CE marked as required by Directive 2011/65/EU. Components may not be CE marked. Additionally, the part numbers that TE has identified as EU ELV compliant have a maximum concentration of 0.1% by weight in homogenous materials for lead, hexavalent chromium, and mercury, and 0.01% for cadmium, or qualify for an exemption to these limits as defined in the Annexes of Directive 2000/53/EC (ELV). Regarding the REACH Regulations, TE's information on SVHC in articles for this part number is still based on the European Chemical Agency (ECHA) 'Guidance on requirements for substances in articles' (Version: 2, April 2011), applying the 0.1% weight on weight concentration threshold at the finished product level. TE is aware of the European Court of Justice ruling of September 10th, 2015 also known as O5A (Once An Article Always An Article) stating that, in case of 'complex object', the threshold for a SVHC must be applied to both the product as a whole and simultaneously to each of the articles forming part of its composition. TE has evaluated this ruling based on the new ECHA "Guidance on requirements for substances in articles" (June 2017, version 4.0) and will be updating its statements accordingly.

Compatible Parts



Power Contacts(12)

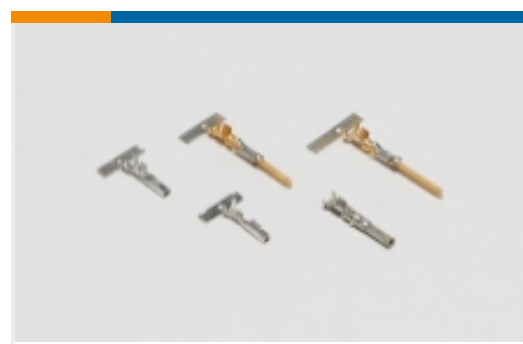


Rectangular Power Connectors(17)

Also in the Series | [AMP Universal Power](#)



Connector Contacts(1)

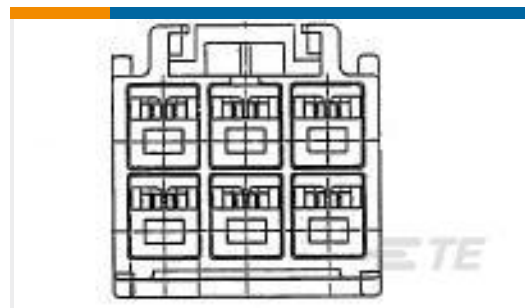


Power Contacts(21)



Rectangular Power Connectors(178)

Customers Also Bought



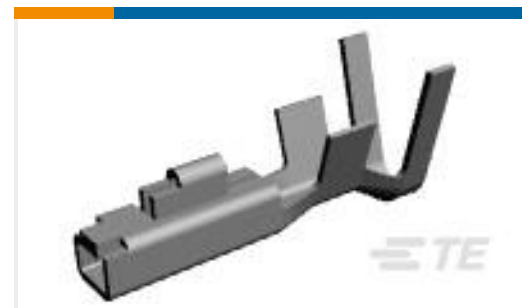
TE Part #176285-1
AMP UNIVERSAL POWER
CAP 6P



TE Part #176272-1
AMP UNIVERSAL POWER
PLUG 3P



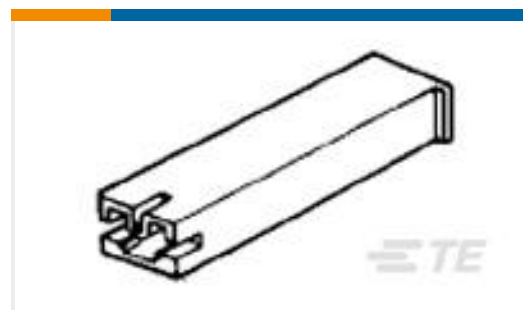
TE Part #176282-1
AMP UNIVERSAL POWER
CAP 2P



TE Part #175152-1
UNIVERSAL POWER REC



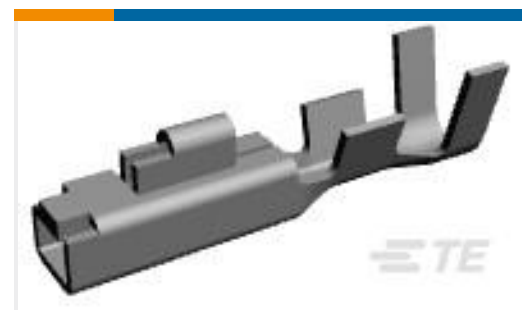
TE Part #175150-1
UNIVERSAL POWER
CONN TAB



TE Part #173974-1
PL MKII 187 REC HSG 1P
NYLON NAT



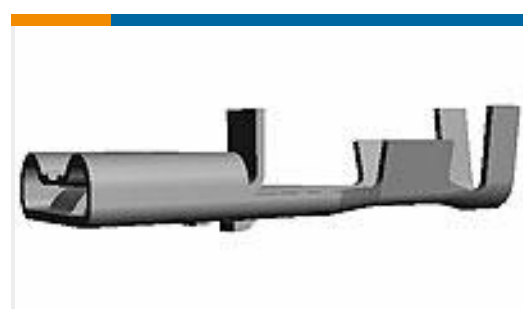
TE Part #177918-1
POWER DBL LOCK PLATE
2P



TE Part #175151-2
AMP UNIVE. POWER
CONN REC CONT



TE Part #170325-1
PL 187 RECEPTACLE 20-16
AWG 0.3 PTPBR



TE Part #170328-1
PL 250 REC 18-14 AWG 0.4
X 19.0 PRE-BR

Documents

Product Drawings

[AMP UNIVERSAL POWER PLUG 2P](#)

English

CAD Files

[3D PDF](#)

3D

[Customer View Model](#)

[ENG_CVM_CVM_176271-1_H.3d_igs.zip](#)



English

Customer View Model

[ENG_CVM_CVM_176271-1_H.2d_dxf.zip](#)

English

Customer View Model

[ENG_CVM_CVM_176271-1_H.3d_stp.zip](#)

English

Product Specifications

[Crimping of Universal Power Contact](#)

Japanese

[Application Specification](#)

English

Product Environmental Compliance

[MD_176271-1_0606201886_dmtec](#)

English

[MD_176271-1_0606201886_dmtec](#)

English

Instruction Sheets

[AMP UNIVERSAL POWER CONNECTOR SERIES](#)

English

[Instruction Sheet \(non U.S.\)](#)

English

Agency Approvals

[UL Report](#)

English