

# CST-100 II HOUSING 3 POS ✓ ACTIVE



CST

TE Part # 1375820-3

TE Internal #: 1375820-3

[View on TE.com >](#)

Connectors > PCB Connectors > Wire-to-Board Connectors > Wire-to-Board Connector Housings



Connector System: **Wire-to-Wire**

Number of Positions: **3**

Centerline (Pitch): **2.54 mm [ .1 in ]**

Termination Method to Wire & Cable: **Crimp**

Number of Rows: **1**

## Features

### Product Type Features

Connector System	Wire-to-Wire
Sealable	No
Connector & Contact Terminates To	Wire & Cable
Connector Style	Receptacle
Product Type	Connector
Connector Type	Housing
Strain Relief	Without
Glow Wire Rating	Standard Part - Not Glow Wire

### Configuration Features

Number of Positions	3
Number of Rows	1

### Electrical Characteristics

Operating Voltage	250 VAC
-------------------	---------

### Contact Features

Contact Layout	Inline
----------------	--------

Contact Current Rating (Max)	7 A
------------------------------	-----

Contact Type	Socket
--------------	--------

#### Termination Features

Termination Method to Wire & Cable	Crimp
------------------------------------	-------

#### Mechanical Attachment

PCB Mount Alignment	Without
---------------------	---------

Mating Connector Lock	Without
-----------------------	---------

Panel Mount Feature	Without
---------------------	---------

PCB Mount Retention	Without
---------------------	---------

Mating Retention	With
------------------	------

Mating Retention Type	Latch
-----------------------	-------

Connector Mounting Type	Cable Mount (Free-Hanging)
-------------------------	----------------------------

Contact Retention	Without
-------------------	---------

Mating Alignment	With
------------------	------

Mating Alignment Type	Polarizing Tab
-----------------------	----------------

#### Housing Features

Centerline (Pitch)	2.54 mm[.1 in]
--------------------	----------------

Housing Color	Natural
---------------	---------

Housing Material	Nylon - GF
------------------	------------

#### Dimensions

Wire Size	.13 – .33 mm <sup>2</sup>
-----------	---------------------------

Height	6.6 mm[.26 in]
--------	----------------

Length	8.13 mm[.32 in]
--------	-----------------

#### Usage Conditions

Operating Temperature Range	-55 – 105 °C[-67 – 221 °F]
-----------------------------	----------------------------

#### Operation/Application

Circuit Application	Power & Signal
---------------------	----------------

For Use With	Mates with Specified MTA .100 Headers, Similar Competitive Notched Headers & CST .100 Shrouded Headers
--------------	--

#### Industry Standards

CSA Rating	Certified
------------	-----------

CSA File Number	LR 7189
-----------------	---------



UL Flammability Rating	UL 94V-0
UL Rating	Recognized
UL File Number	E28476
Agency/Standard	CSA, UL

**Packaging Features**

Packaging Quantity	1
Packaging Method	Package

**Other**

Comment	Accepts Rec Contact p/n 1375819 & MTA-100 Keying Plug P/N 641994-1, Not interchangeable with CST-100 contacts and housings.
---------	---

**Product Compliance**

[For compliance documentation, visit the product page on TE.com>](#)

EU RoHS Directive 2011/65/EU	Compliant
EU ELV Directive 2000/53/EC	Compliant
China RoHS 2 Directive MIIT Order No 32, 2016	No Restricted Materials Above Threshold
EU REACH Regulation (EC) No. 1907/2006	Current ECHA Candidate List: JAN 2019 (197) Candidate List Declared Against: JAN 2019 (197)
Halogen Content	Low Halogen - Br, Cl, F, I < 900 ppm per homogenous material. Also BFR/CFR/PVC Free
Solder Process Capability	Not applicable for solder process capability

Product Compliance Disclaimer

This information is provided based on reasonable inquiry of our suppliers and represents our current actual knowledge based on the information they provided. This information is subject to change. The part numbers that TE has identified as EU RoHS compliant have a maximum concentration of 0.1% by weight in homogenous materials for lead, hexavalent chromium, mercury, PBB, PBDE, DBP, BBP, DEHP, DIBP, and 0.01% for cadmium, or qualify for an exemption to these limits as defined in the Annexes of Directive 2011/65/EU (RoHS2). Finished electrical and electronic equipment products will be CE marked as required by Directive 2011/65/EU. Components may not be CE marked. Additionally, the part numbers that TE has identified as EU ELV compliant have a maximum concentration of 0.1% by weight in homogenous materials for lead, hexavalent chromium, and mercury, and 0.01% for cadmium, or qualify for an exemption to these limits as defined in the Annexes of Directive 2000/53/EC (ELV). Regarding the REACH Regulations, TE's information on SVHC in articles for this part number is still based on the European Chemical Agency (ECHA) 'Guidance on requirements for substances in articles' (Version: 2, April 2011), applying the 0.1% weight on weight concentration threshold at the finished product level. TE is aware of the European Court of Justice ruling of September 10th, 2015 also known as O5A (Once An Article Always An Article) stating that, in case of 'complex object', the threshold for a SVHC must be applied to both the product as a whole and simultaneously to each of the articles forming part of its composition. TE has evaluated this ruling based on the new ECHA "Guidance on requirements for substances in articles" (June 2017, version 4.0) and will be updating its statements accordingly.

## Compatible Parts

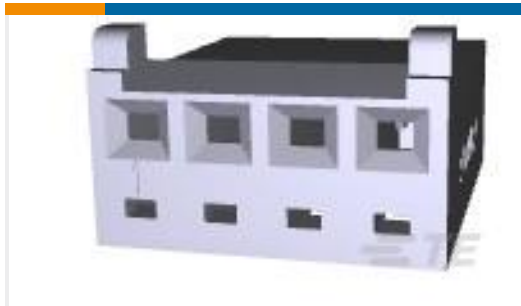


Wire-to-Board Headers & Receptacles(43)

## Customers Also Bought



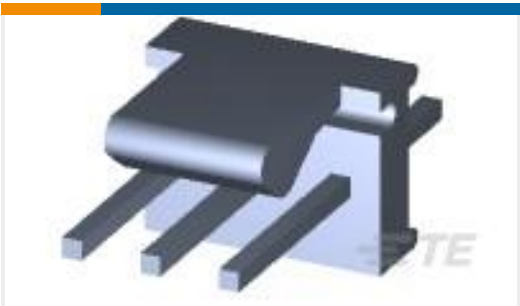
TE Part #1375820-2  
CST-100 II HOUSING 2 POS



TE Part #1375820-4  
CST-100 II HOUSING 4 POS



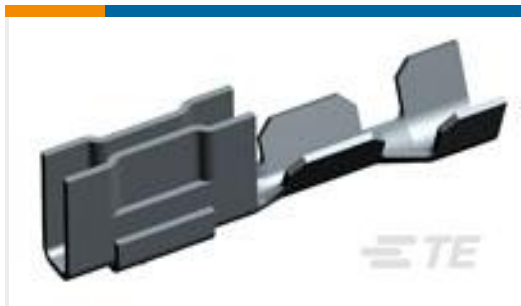
TE Part #1445336-1  
LOOSE PC CONTACT TIN PLATED



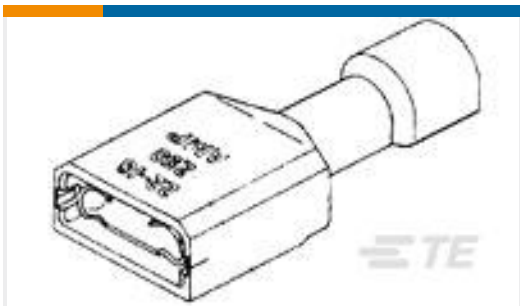
TE Part #640456-3  
03P MTA100 HDR ASSY F /L SQ STR



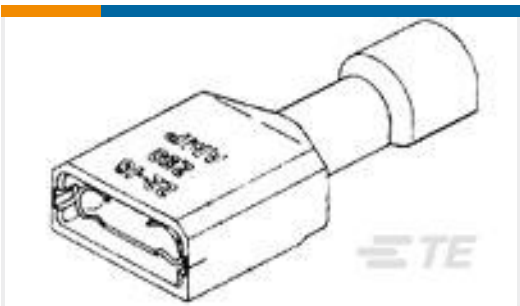
TE Part #1375820-6  
CST-100 II HOUSING 6 POS



TE Part #1375819-2  
CST-100 II CONTACT 15 GOLD PLT



TE Part #2-520193-2  
ULTRA-FAST 187 ASY REC 22-18 TPBR



TE Part #2-520181-2  
ULTRA-FAST 187 ASY REC 22-18 AWG TPBR



TE Part #2-520183-2  
ULTRA-FAST 250 ASY REC 22-18 TPBR



TE Part #1375819-1  
CST-100 II CONTACT TIN PLT

## Documents

[Product Drawings](#)  
CST-100 II HOUSING 3 POS

English

[CAD Files](#)  
3D PDF



3D

Customer View Model

[ENG\\_CVM\\_CVM\\_1375820-3\\_A.2d\\_dxf.zip](#)

English

Customer View Model

[ENG\\_CVM\\_CVM\\_1375820-3\\_A.3d\\_igs.zip](#)

English

Customer View Model

[ENG\\_CVM\\_CVM\\_1375820-3\\_A.3d\\_stp.zip](#)

English

---

**Product Specifications**

[Application Specification](#)

English

---

**Product Environmental Compliance**

[MD\\_1375820-3\\_01302019812\\_dmtec](#)

English

[MD\\_1375820-3\\_01302019812\\_dmtec](#)

English

---

**Instruction Sheets**

[Instruction Sheet \(U.S.\)](#)

English