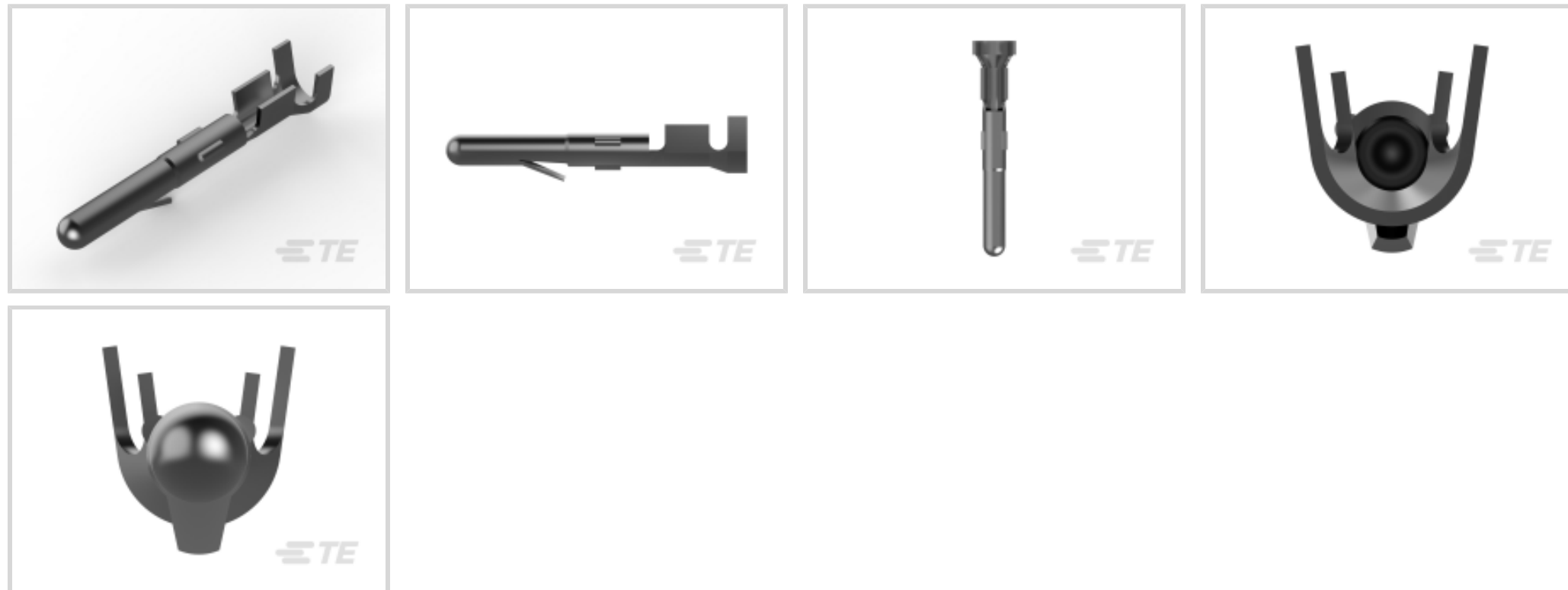




Connectors > Power Connectors > Power Contacts



Product Type: **Contact**

Wire Size: .5 – 1 mm<sup>2</sup>

Connector System: **Wire-to-Wire**

Connector & Contact Terminates To: **Wire & Cable**

## Features

### Product Type Features

Product Type	Contact
Connector System	Wire-to-Wire
Connector & Contact Terminates To	Wire & Cable

### Contact Features

Contact Type	Pin
Contact Base Material	Brass
Contact Mating Area Plating Material	Pre-Tin
Contact Termination Area Plating Material	Pre-Tin
Wire Contact Termination Area Plating Material	Pre-Tin
Contact Angle	Straight

### Termination Features

Termination Type	Crimp
------------------	-------

### Mechanical Attachment

Contact Retention Type Within Housing	Locking Lance
Connector Mounting Type	Cable Mount (Free-Hanging)
Contact Retention in Housing	With



Wire Insulation Support Without

**Dimensions**

Wire Size .5 – 1 mm<sup>2</sup>

Mating Pin Diameter 2.1 mm[.082 in]

Accepts Wire Insulation Diameter Range 1.8 – 3.3 mm[.071 – .13 in]

**Operation/Application**

Circuit Application Power

For Multiple Crimp No

**Industry Standards**

Glow Wire Rating Standard Part - Not Glow Wire

VDE Tested No

**Packaging Features**

Packaging Method Reel

Packaging Quantity 4500

**Other**

Wire/Cable Type Discrete Wire

Wire Type Stranded

For Use With Pin (Cap) Housing

**Product Compliance**

[For compliance documentation, visit the product page on TE.com>](#)

EU RoHS Directive 2011/65/EU Compliant

EU ELV Directive 2000/53/EC Compliant

China RoHS 2 Directive MIIT Order No 32, 2016 No Restricted Materials Above Threshold

EU REACH Regulation (EC) No. 1907/2006  
Current ECHA Candidate List: JAN 2019 (197)  
Candidate List Declared Against: JAN 2019 (197)

Halogen Content Low Halogen - Br, Cl, F, I < 900 ppm per homogenous material. Also BFR/CFR/PVC Free

Solder Process Capability Not applicable for solder process capability

Product Compliance Disclaimer

This information is provided based on reasonable inquiry of our suppliers and represents our current actual knowledge based on the information they provided. This information is subject to change. The part numbers that TE has identified as EU RoHS compliant have a maximum concentration of 0.1% by weight in homogenous materials for lead, hexavalent chromium, mercury, PBB, PBDE, DBP, BBP, DEHP, DIBP, and 0.01% for cadmium, or qualify for an exemption to these limits as defined in the Annexes of Directive 2011/65/EU (RoHS2). Finished electrical and electronic equipment products will be CE marked as required by Directive 2011/65/EU. Components may not be CE marked. Additionally, the part numbers that TE has identified as EU ELV compliant have a maximum concentration of 0.1% by weight in homogenous materials for lead, hexavalent chromium, and mercury, and 0.01% for cadmium, or qualify for an exemption to these limits as defined in the Annexes of Directive 2000/53/EC (ELV). Regarding the REACH Regulations, TE's information on SVHC in articles for this part number is still based on the European Chemical Agency (ECHA) 'Guidance on requirements for substances in articles' (Version: 2, April 2011), applying the 0.1% weight on weight concentration threshold at the finished product level. TE is aware of the European Court of Justice ruling of September 10th, 2015 also known as O5A (Once An Article Always An Article) stating that, in case of 'complex object', the threshold for a SVHC must be applied to both the product as a whole and simultaneously to each of the articles forming part of its composition. TE has evaluated this ruling based on the new ECHA "Guidance on requirements for substances in articles" (June 2017, version 4.0) and will be updating its statements accordingly.

## Compatible Parts



Applicators(4)



Insertion & Extraction Tools (2)



Portable Crimp Tools(2)



Rectangular Connector Housings(4)



Rectangular Power Connectors(71)



Spare & Wear Tooling(1)

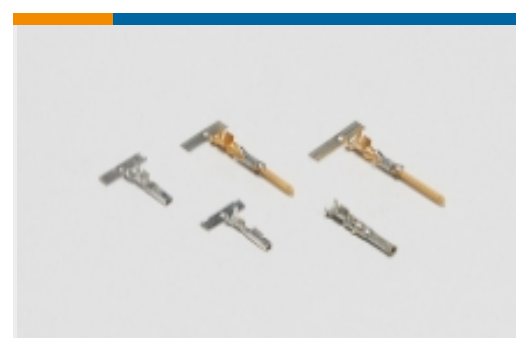
## Also in the Series | Commercial MATE-N-LOK



Connector Contacts(55)



Crimp Wire Pins, Tabs & Ferrules(3)



Power Contacts(132)



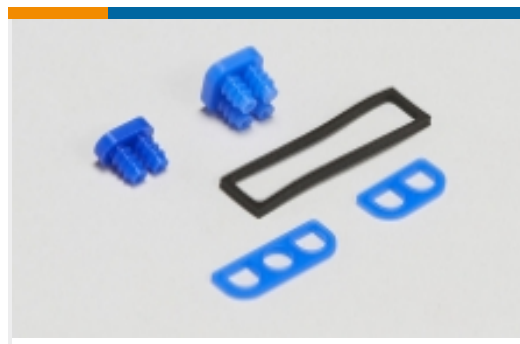
Rectangular Caps & Covers (2)

# MATENLOK PIN

TE Part # 163301-6  
TE Internal #: 163301-6



Rectangular Connector Housings(20)



Rectangular Connector Seals(1)



Rectangular Power Connectors(171)



Standard Rectangular Connectors(10)



Wire-to-Board Connector Contacts(1)

## Customers Also Bought



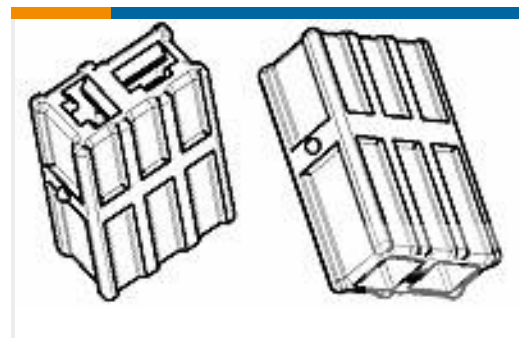
TE Part #163302-6  
MATENLOK SIDE WAY



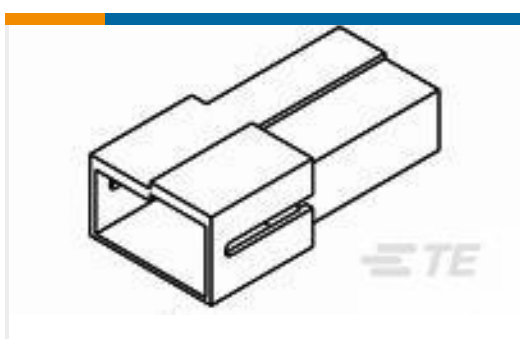
TE Part #163300-6  
MATENLOK SOCKET TP



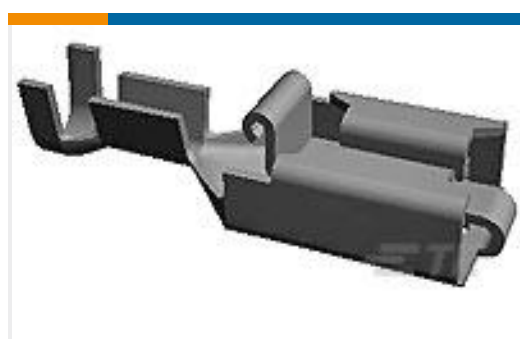
TE Part #163303-6  
MATE-N-LOK PIN



TE Part #626064  
2 WAY FASTIN-ON 110  
HOUSING REC PA66 NAT



TE Part #626065  
2 P FASTIN-ON 110  
HOUSING TAB PA66 NAT



TE Part #160759-3  
PL 250 RECEPTACLE 0.5-  
1.5 MM2 TPBR



TE Part #925075  
4W CIRCULAR MATE-N-  
LOK PIN HSG NAT

## Documents

### Product Drawings

MATENLOK PIN

English

### CAD Files

Customer View Model

[ENG\\_CVM\\_163301-6\\_K.3d\\_igs.zip](#)

English

Customer View Model



[ENG\\_CVM\\_163301-6\\_K.3d\\_stp.zip](#)

English

Customer View Model

[ENG\\_CVM\\_163301-6\\_K.2d\\_dxf.zip](#)

English

[3D PDF](#)

English

---

**Product Environmental Compliance**

[MD\\_163301-6\\_030320181115\\_dmtec](#)

English

[MD\\_163301-6\\_030320181115\\_dmtec](#)

English