

COSI PIN CONTACT HD20 DF; 24-20 AWG ✓ ACTIVE

AMPLIMITE

TE Part # 166053-1

TE Internal #: 166053-1

[View on TE.com >](#)



Connectors > D-Shaped Connectors > D-Sub Connector Contacts



Contact Type: **Pin**

Contact Size: **20**

Contact Base Material: **Brass**

Contact Mating Area Plating Material: **Gold**

Termination Method to Wire & Cable: **Crimp**

Features

Product Type Features

Product Type	Contact
Grade	Standard
Connector System	Cable-to-Cable
Connector & Contact Terminates To	Wire & Cable

Body Features

Color Code	Red
------------	-----

Contact Features

Pin Diameter	1 mm
Contact Mating Area Plating Thickness	.76 μ m
Contact Underplating Material	Nickel
PCB Contact Termination Area Plating Material	Tin
Contact Type	Pin
Contact Size	20
Contact Base Material	Brass
Contact Mating Area Plating Material	Gold



Contact Current Rating (Max)	2 A
------------------------------	-----

Termination Features

Termination Method to Wire & Cable	Crimp
------------------------------------	-------

Mechanical Attachment

Contact Retention in Housing	Crimp Snap-In
------------------------------	---------------

Wire Insulation Support	With
-------------------------	------

Dimensions

Insulation Diameter (Max)	1.52 mm
---------------------------	---------

Accepts Wire Insulation Diameter Range	1.27 – 1.52 mm [.05 – .06 in]
--	-------------------------------

Wire Size	.2 – .56 mm ²
-----------	--------------------------

Usage Conditions

Operating Temperature Range	-55 – 105 °C [-67 – 221 °F]
-----------------------------	-----------------------------

Operation/Application

Circuit Application	Signal
---------------------	--------

Packaging Features

Packaging Quantity	12500
--------------------	-------

Packaging Method	Reel
------------------	------

Product Compliance

[For compliance documentation, visit the product page on TE.com>](#)

EU RoHS Directive 2011/65/EU	Compliant
------------------------------	-----------

EU ELV Directive 2000/53/EC	Compliant
-----------------------------	-----------

China RoHS 2 Directive MIIT Order No 32, 2016	No Restricted Materials Above Threshold
---	---

EU REACH Regulation (EC) No. 1907/2006	Current ECHA Candidate List: JAN 2019 (197) Candidate List Declared Against: JAN 2019 (197)
--	--

Halogen Content	Low Halogen - Br, Cl, F, I < 900 ppm per homogenous material. Also BFR/CFR/PVC Free
-----------------	---

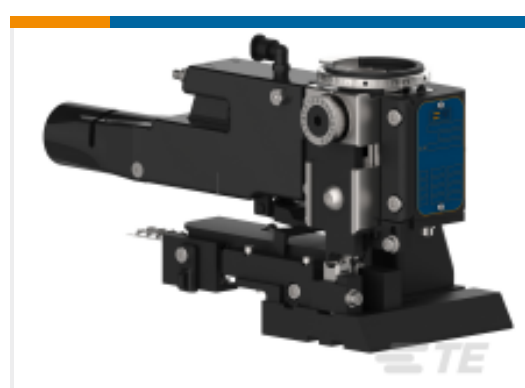
Solder Process Capability	Not applicable for solder process capability
---------------------------	--

Product Compliance Disclaimer

This information is provided based on reasonable inquiry of our suppliers and represents our current actual knowledge based on the information they provided. This information is subject to change. The part numbers that TE has identified as

EU RoHS compliant have a maximum concentration of 0.1% by weight in homogenous materials for lead, hexavalent chromium, mercury, PBB, PBDE, DBP, BBP, DEHP, DIBP, and 0.01% for cadmium, or qualify for an exemption to these limits as defined in the Annexes of Directive 2011/65/EU (RoHS2). Finished electrical and electronic equipment products will be CE marked as required by Directive 2011/65/EU. Components may not be CE marked. Additionally, the part numbers that TE has identified as EU ELV compliant have a maximum concentration of 0.1% by weight in homogenous materials for lead, hexavalent chromium, and mercury, and 0.01% for cadmium, or qualify for an exemption to these limits as defined in the Annexes of Directive 2000/53/EC (ELV). Regarding the REACH Regulations, TE's information on SVHC in articles for this part number is still based on the European Chemical Agency (ECHA) 'Guidance on requirements for substances in articles' (Version: 2, April 2011), applying the 0.1% weight on weight concentration threshold at the finished product level. TE is aware of the European Court of Justice ruling of September 10th, 2015 also known as O5A (Once An Article Always An Article) stating that, in case of 'complex object', the threshold for a SVHC must be applied to both the product as a whole and simultaneously to each of the articles forming part of its composition. TE has evaluated this ruling based on the new ECHA "Guidance on requirements for substances in articles" (June 2017, version 4.0) and will be updating its statements accordingly.

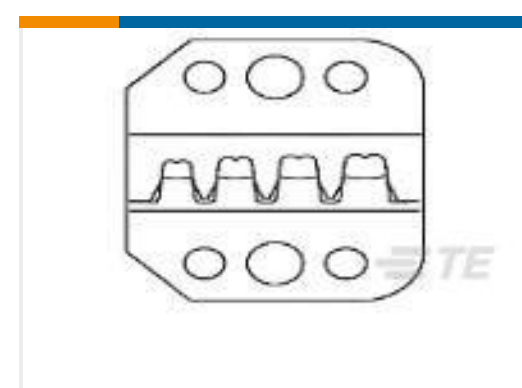
Compatible Parts



TE Part # 2-2151496-2
OCEAN_2.0_APPLICATOR-S-055F062OA



TE Part # 91285-1
INSERT/EXTRACT TOOL ASSEMBLY



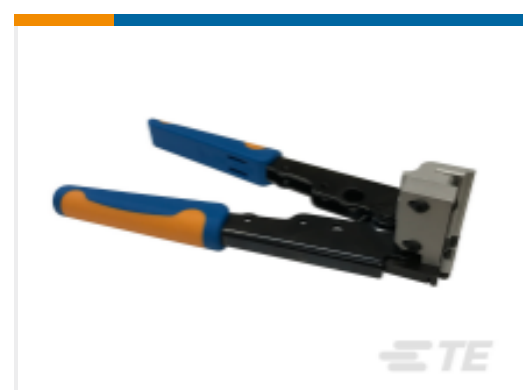
TE Part # 58448-3
PRO-CRIMPER DIE



TE Part # 58448-2
PRO CR. ASSY AMPLIMITE IS 9357



TE Part # 91503-1
CERTICRIMP 2,SAHT HD20 20-28



TE Part # 2305570-1
TERMINAL CUTTER, SIDE FEED



TE Part # 1579007-9
EXTRACTION TOOL

Customers Also Bought



TE Part #167294-1
25P HDP20 PLUG ASSY



TE Part #167293-1
15P.HDP20 PLUG ASSY



TE Part #167292-1
09P.HDP20 PLUG ASSY



TE Part #166054-1
HD20 PIN CONTACT



TE Part #166051-1
24-20 AWG HD-20
SOCKET



TE Part #926882-3
UNIV.M-N-L.SOCKET



TE Part #166052-1
TD 20 F CRIMP SOCKET
WIRE SIZE



TE Part #926887-1
UNIV.M-N-L.PIN



TE Part #2-160256-2
FASTON 250 REC 1.0-2.5
MM2 0.40X63.50TPBR



TE Part #350566-7
MINI AMP-IN 22-18 AWG
POST TIN PLTD

Documents

Product Drawings

[COSI PIN CONTACT HD20 DF; 24-20 AWG](#)

English

CAD Files

Customer View Model

[ENG_CVM_CVM_166053-1_AB.3d_stp.zip](#)

English

Customer View Model

[ENG_CVM_CVM_166053-1_AB.2d_dxf.zip](#)

English

[3D PDF](#)

3D

Customer View Model

[ENG_CVM_CVM_166053-1_AB.3d_igs.zip](#)

English

Datasheets & Catalog Pages

[AMPLIMITE Subminiature D Connectors - Subminiature D Connectors for Cable Mounting](#)

English

[NECTOR_S_LINE_CONNECTOR_BROCHURE](#)

English

Product Specifications

[Application Specification](#)

English

Product Environmental Compliance



[MD_166053-1_09142017105_dmtec](#)

English

[MD_166053-1_09142017105_dmtec](#)

English