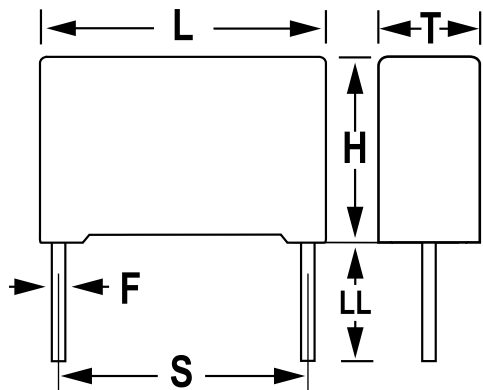


**KEMET Part Number: PHE850ED6220MD20R06L2**  
(F850DW224M300C)

PHE850/F850, Film, Metallized Polypropylene, Safety, 0.22 uF, 20%, 300 VAC (Y2), 1250 VDC, 110°C, Lead Spacing = 22.5mm



| General Information |   |
|---------------------|---|
| Supplier:           | KEMET   |
| Series:             | PHE850/F850   |
| Dielectric:         | Metallized Polypropylene  |
| Style:              | Radial  |
| Features:           | EMI Safety  |
| RoHS:               | Yes   |
| Lead:               | Wire Leads  |
| Qualifications:     | ENEC, UL, cUL   |
| Notes:              | Not For New Design, Please Check Possible Alternative Parts (AltPart) |

| Dimensions |                 |
|------------|-----------------|
| L          | 26mm MAX        |
| H          | 23mm MAX        |
| T          | 13.5mm MAX      |
| S          | 22.5mm +/-0.4mm |
| LL         | 6mm NOM         |
| F          | 0.8mm NOM       |

| Specifications         |                         |
|------------------------|-------------------------|
| Capacitance:           | 0.22 uF                 |
| Capacitance Tolerance: | 20%                     |
| Voltage AC:            | 300 VAC (Y2)            |
| Voltage DC:            | 1250 VDC                |
| Temperature Range:     | -55/+110C               |
| Rated Temperature:     | 110°C                   |
| Dissipation Factor:    | 0.15% 1kHz, 0.40% 10kHz |
| Insulation Resistance: | 30 GOhms                |
| Max dV/dt:             | 100 V/us                |
| Safety Class:          | Y2                      |

| Packaging Specifications |            |
|--------------------------|------------|
| Packaging:               | Bulk, Tray |
| Packaging Quantity:      | 200        |