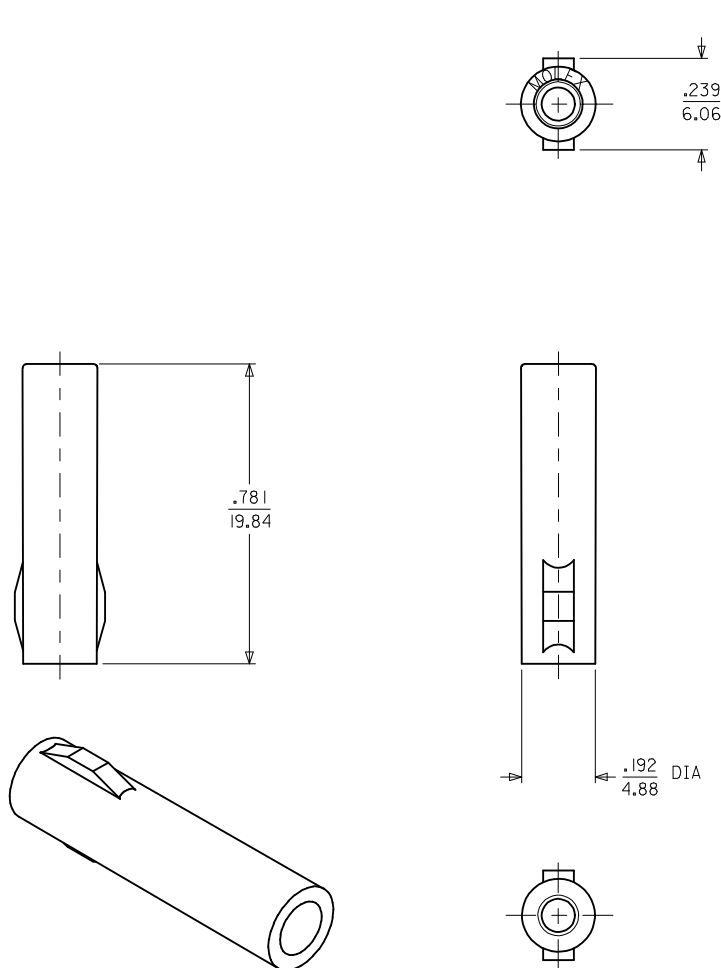
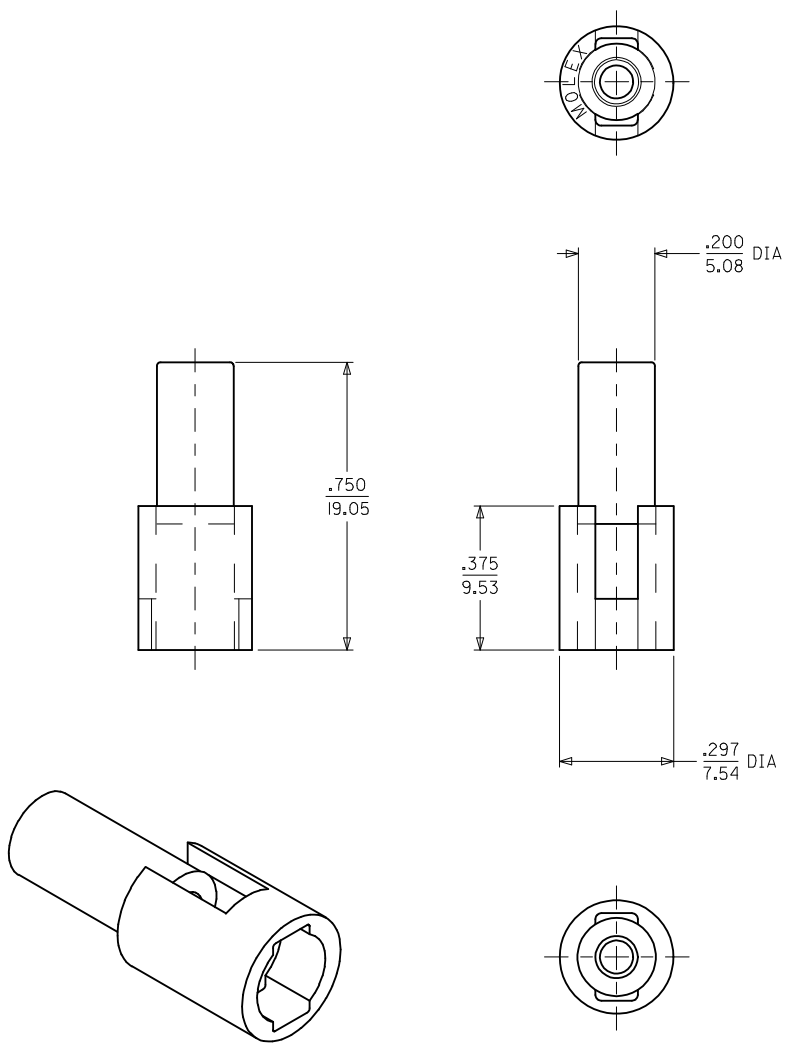


PLUG

RECEPTACLE



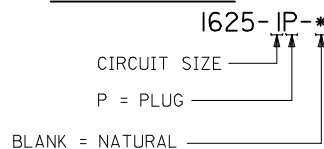
PLUG HOUSING

RECEPTACLE HOUSING

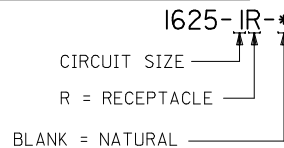
PK SPEC EC NO: UCP2015-0466 DRWN: DFOX 2014/08/04 CHKD: MKIPPER 2014/08/04 APPR: FSMITH 2014/08/14	QUALITY SYMBOLS ▽=0 ▽=0 ▽=0	GENERAL TOLERANCES (UNLESS SPECIFIED) mm INCH 4 PLACES ± --- ± --- 3 PLACES ± --- ± .010 2 PLACES ± 0.25 ± .014 1 PLACE ± 0.35 ± --- 0 PLACE ± --- ± ---	DIMENSION STYLE IN/MM DRAWN BY DATE JBS 2003/06/10 CHECKED BY DATE BW 2003/06/16 APPROVED BY DATE FSMITH 2014/07/09	SCALE 4:1 DESIGN UNITS INCH THIRD ANGLE PROJECTION	TITLE PLUG & RECEPTACLE 1 CIRCUIT
	ANGULAR ± 1 ° DRAFT WHERE APPLICABLE MUST REMAIN WITHIN DIMENSIONS	MATERIAL NO. SEE CHART	DOCUMENT NO. SD-1625-1*-*-	SHEET NO. 1 OF 2	
	THIS DRAWING CONTAINS INFORMATION THAT IS PROPRIETARY TO MOLEX. INCORPORATED AND SHOULD NOT BE USED WITHOUT WRITTEN PERMISSION				
	REV J1	DESCRIPTION			

	13	12	11	10	9	8	7	6	5	4	3	2	1
	PLUG		RECEPTACLE										
J	PART NO.	ENG. NO.	PART NO.	ENG. NO.									
	03-06-2011	1625-IP	03-06-1011	1625-IR									
I													

PLUG LEGEND:



RECEPTACLE LEGEND:



NOTES:

1. MATERIAL: NYLON, PA66, UL94V-2, COLOR: NATURAL
2. FINISH: NONE
3. PRODUCT SPECIFICATION: PS-02-06
4. PACKAGING SPECIFICATION: PK-1625-003
5. FOR USE WITH .062 SERIES TERMINALS
6. PARTS CONFORM TO CLASS B REQUIREMENTS OF COSMETIC SPECIFICATION PS-45499-002.

SEE SHEET 1 EC NO: UCP2015-0466 DRWN:JDOX 2014/08/04 CHKD:HKIPPER 2014/08/04 APPR:FSMITH 2014/08/14	QUALITY SYMBOLS 	GENERAL TOLERANCES (UNLESS SPECIFIED)		DIMENSION STYLE	SCALE	DESIGN UNITS	THIRD ANGLE PROJECTION		
				IN/MM	4:1	INCH			
				DRAWN BY	DATE	TITLE PLUG & RECEPTACLE 1 CIRCUIT			
				4 PLACES ± --- ± ---	2003/06/10				
		CHECKED BY	DATE						
		3 PLACES ± --- ± .010	2003/06/16						
		2 PLACES ± 0.25 ± .014	APPROVED BY	DOCUMENT NO. SD-1625-1*-*					
		1 PLACE ± 0.35 ± ---	DATE						
		0 PLACE ± --- ± ---	FSMITH 2014/07/09	SHEET NO. 2 OF 2					
		ANGULAR ± 1°							
DRAFT WHERE APPLICABLE MUST REMAIN WITHIN DIMENSIONS		SEE CHART		THIS DRAWING CONTAINS INFORMATION THAT IS PROPRIETARY TO MOLEX INCORPORATED AND SHOULD NOT BE USED WITHOUT WRITTEN PERMISSION					
J1	REV								