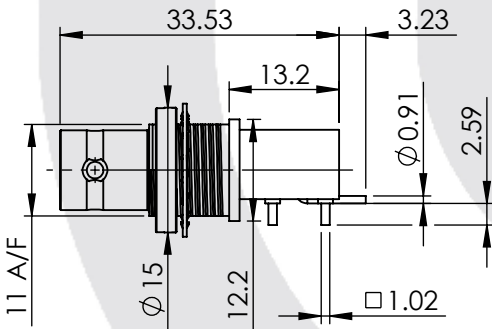
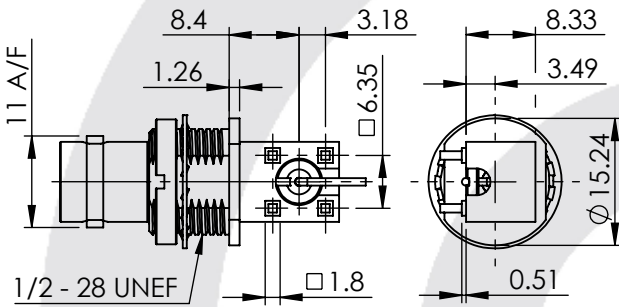


**BNC RIGHT ANGLE PCB MOUNT
BULKHEAD JACK SURFACE MOUNT
CENTRE CONTACT**

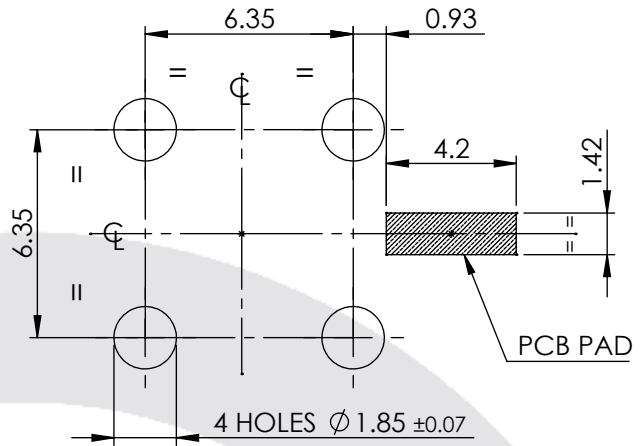
10-482-B36



images for illustration purposes only



Recommended PCB Mounting



Environmental Specification

Operating Temp: -55 to +155 Deg C.
IP Rating (Mated): IP 64

Electrical Specification

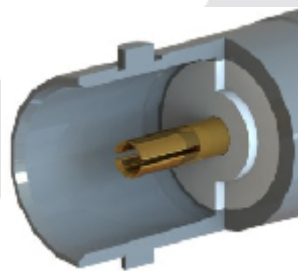
Impedance: 75 Ohm
Frequency: 0-4.5 GHz
Dielectric W/V: 1000 Veff
Insulation res: 5000 M-Ohm

Mechanical Specification

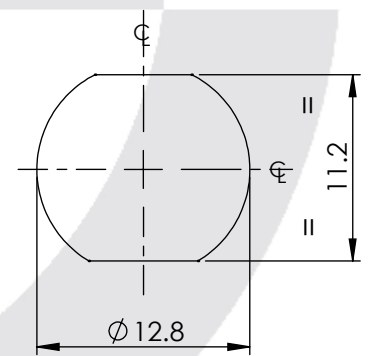
Contact Retention: 10 N min
Cable Retention: Not Applicable
Mating cycles: 500
Weight: 16.11 g

Connector Interface

image for illustration purposes only



Recommended Panel



MAX PANEL THICKNESS: 5.0mm

7	WASHER	SK5	NICKEL
6	REAR CONTACT	BRASS	GOLD
5	REAR BODY	BRASS	NICKEL
4	NUT	BRASS	NICKEL
3	INSULATOR	PTFE	N/A
2	FEMALE CENTRE CONTACT	BERYLLIUM COPPER	GOLD
1	BODY	BRASS	NICKEL
ITEM	DESCRIPTION	MATERIAL	PLATING

A4	SHEET 1 OF 1	DIMENSIONS ARE IN MILLIMETRES		
REVISION :	A00	NAME	SIGNATURE	DATE
ISSUE :	1	DRAWN	GE	01/04/2015
		CHK'D	IG	01/04/2015
		APPV'D		
<p>6-8 COLNE ROAD, TWICKENHAM, MIDDLESEX. TW1 4JR</p> <p>THE INFORMATION IS GIVEN AS AN INDICATION ONLY AND IS SUBJECT TO CHANGE WITHOUT NOTICE. IN THE CONTINUAL GOAL TO IMPROVE OUR PRODUCTS, WE RESERVE THE RIGHT TO MAKE ANY MODIFICATIONS NECESSARY WITHOUT PRIOR NOTICE.</p>				