

4

3

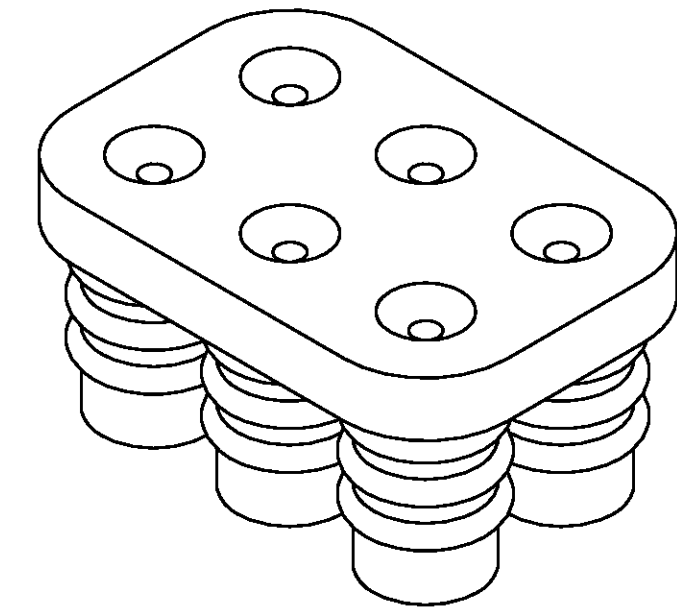
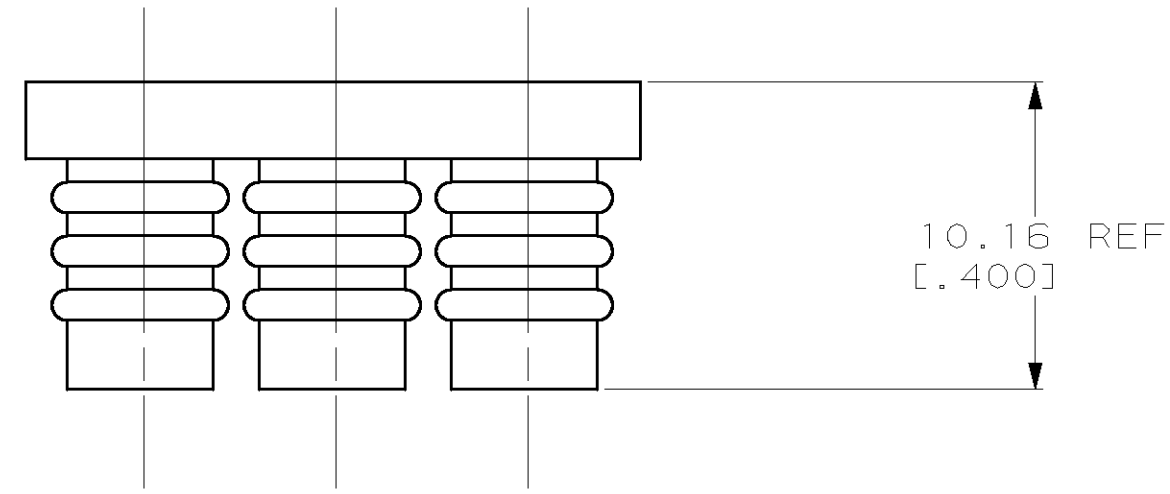
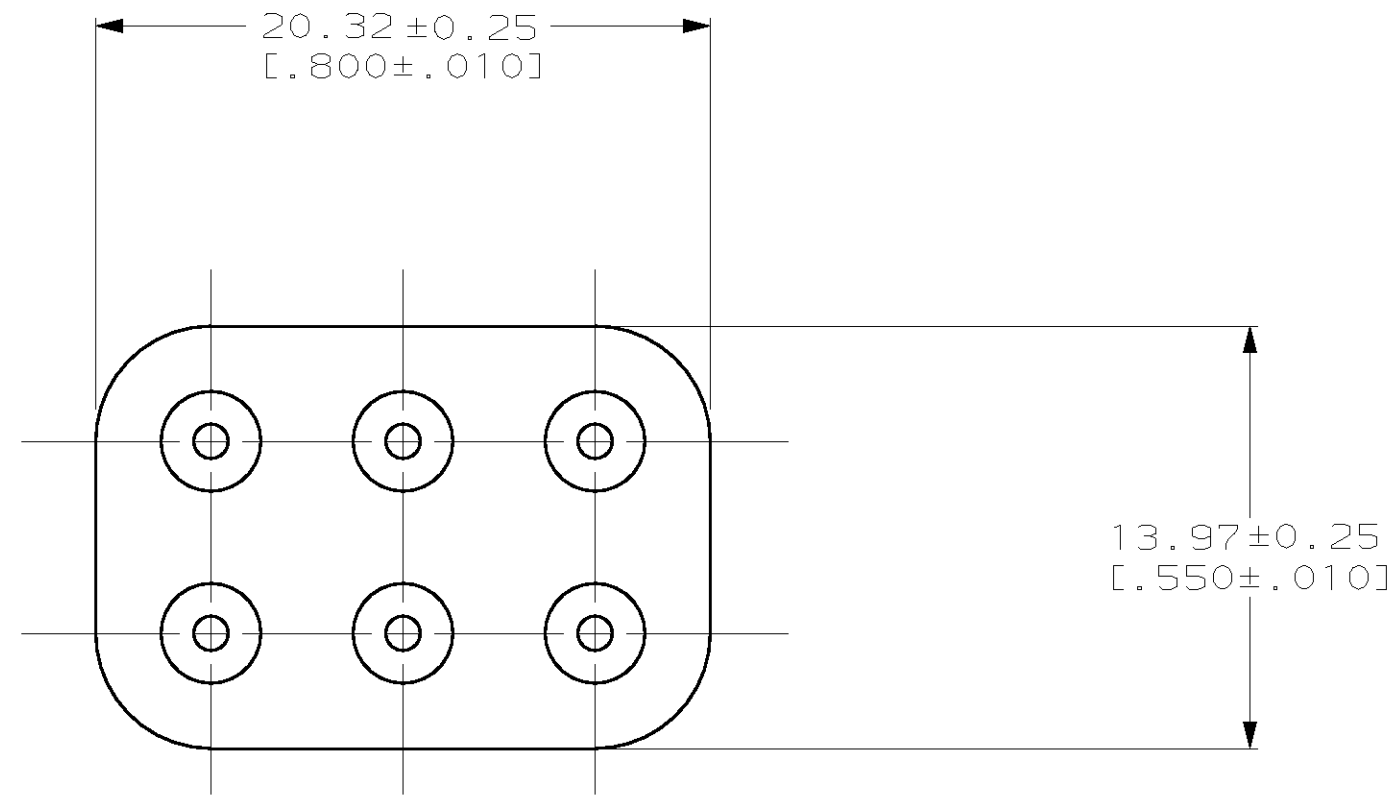
2

1

THIS DRAWING IS UNPUBLISHED. RELEASED FOR PUBLICATION .19
 (C) COPYRIGHT 19 BY AMP INCORPORATED. ALL RIGHTS RESERVED.

LOC		DIST		REVISIONS			
P	LTR	DESCRIPTION	DATE	DWN	APVD		
CM	53	A	REV PER EC 061B-0062-98	4-6-98	JH	RS	

- 1. MATERIAL: SELF LUBRICATING SILICON RUBBER
COLOR: BLUE
- 2. DIMENSIONS IN BRACKETS ARE IN INCHES.



3-DIMENSIONAL MODEL NTS

794276-1
PART NUMBER



THIS DRAWING IS A CONTROLLED DOCUMENT.		DWN B. LEWIS 3-25-97	AMP Incorporated Harrisburg, PA 17105-3608															
DIMENSIONS: INCHES		CHK R. SWING 3-25-97	NAME D. SELF 3-25-97															
<table border="1"> <thead> <tr> <th>TOLERANCES UNLESS OTHERWISE SPECIFIED:</th> <th></th> </tr> </thead> <tbody> <tr><td>0 PLC</td><td>±</td></tr> <tr><td>1 PLC</td><td>±</td></tr> <tr><td>2 PLC</td><td>±</td></tr> <tr><td>3 PLC</td><td>±0.13 [1.005]</td></tr> <tr><td>4 PLC</td><td>±</td></tr> <tr><td>ANGLES</td><td>±0°30'</td></tr> </tbody> </table>		TOLERANCES UNLESS OTHERWISE SPECIFIED:		0 PLC	±	1 PLC	±	2 PLC	±	3 PLC	±0.13 [1.005]	4 PLC	±	ANGLES	±0°30'	PRODUCT SPEC -	WIRE SEAL, 6 CIRCUIT, UNIVERSAL MATE-N-LOK™	
TOLERANCES UNLESS OTHERWISE SPECIFIED:																		
0 PLC	±																	
1 PLC	±																	
2 PLC	±																	
3 PLC	±0.13 [1.005]																	
4 PLC	±																	
ANGLES	±0°30'																	
MATERIAL △		FINISH -	APVD D. SELF 3-25-97	RESTRICTED TO -														
CUSTOMER DRAWING		SCALE 4:1	SHEET 1 OF 1	REV A														

794276