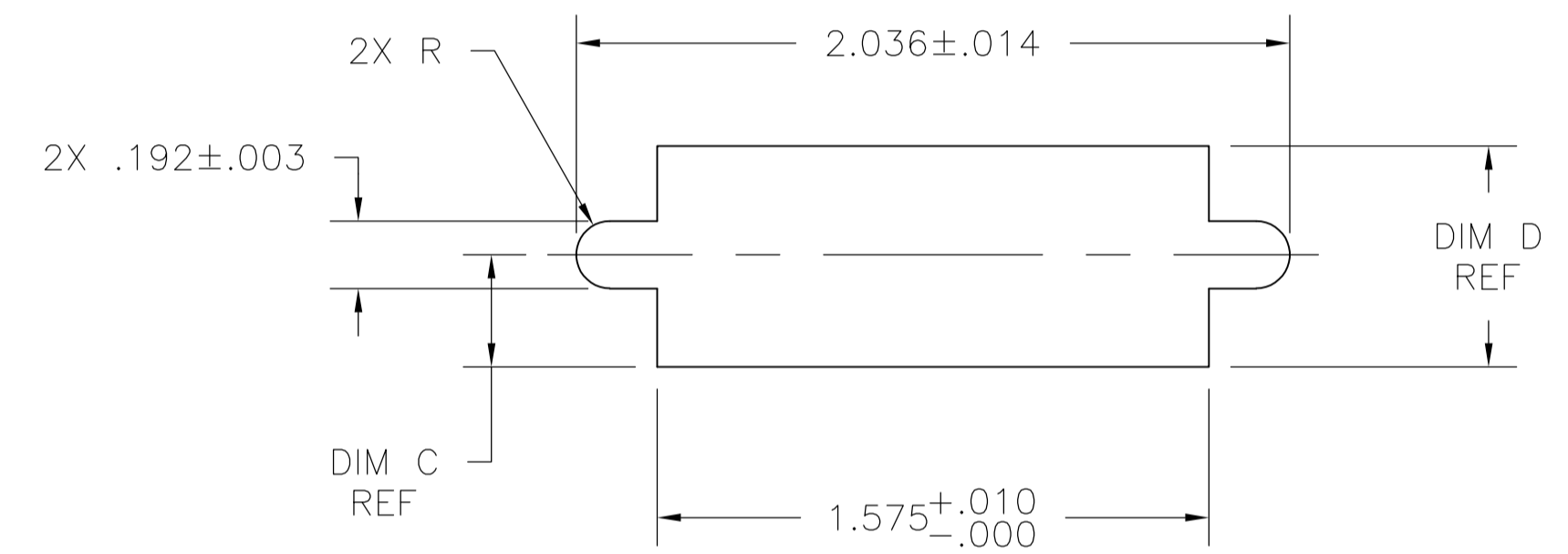
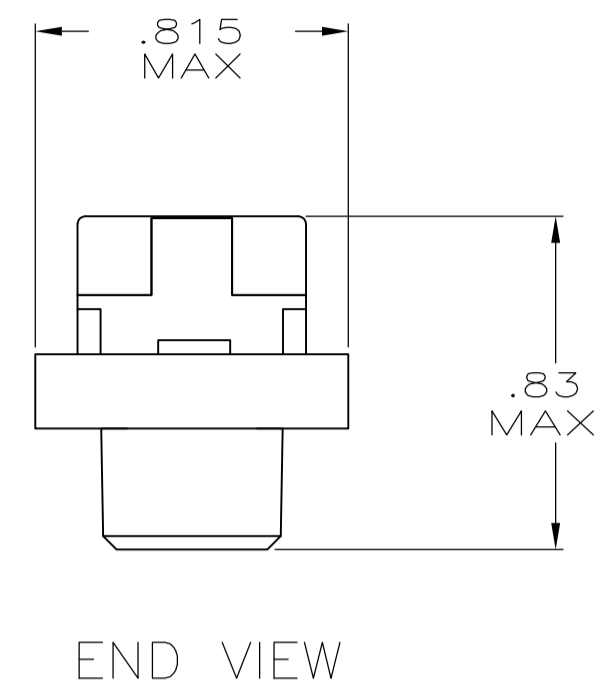
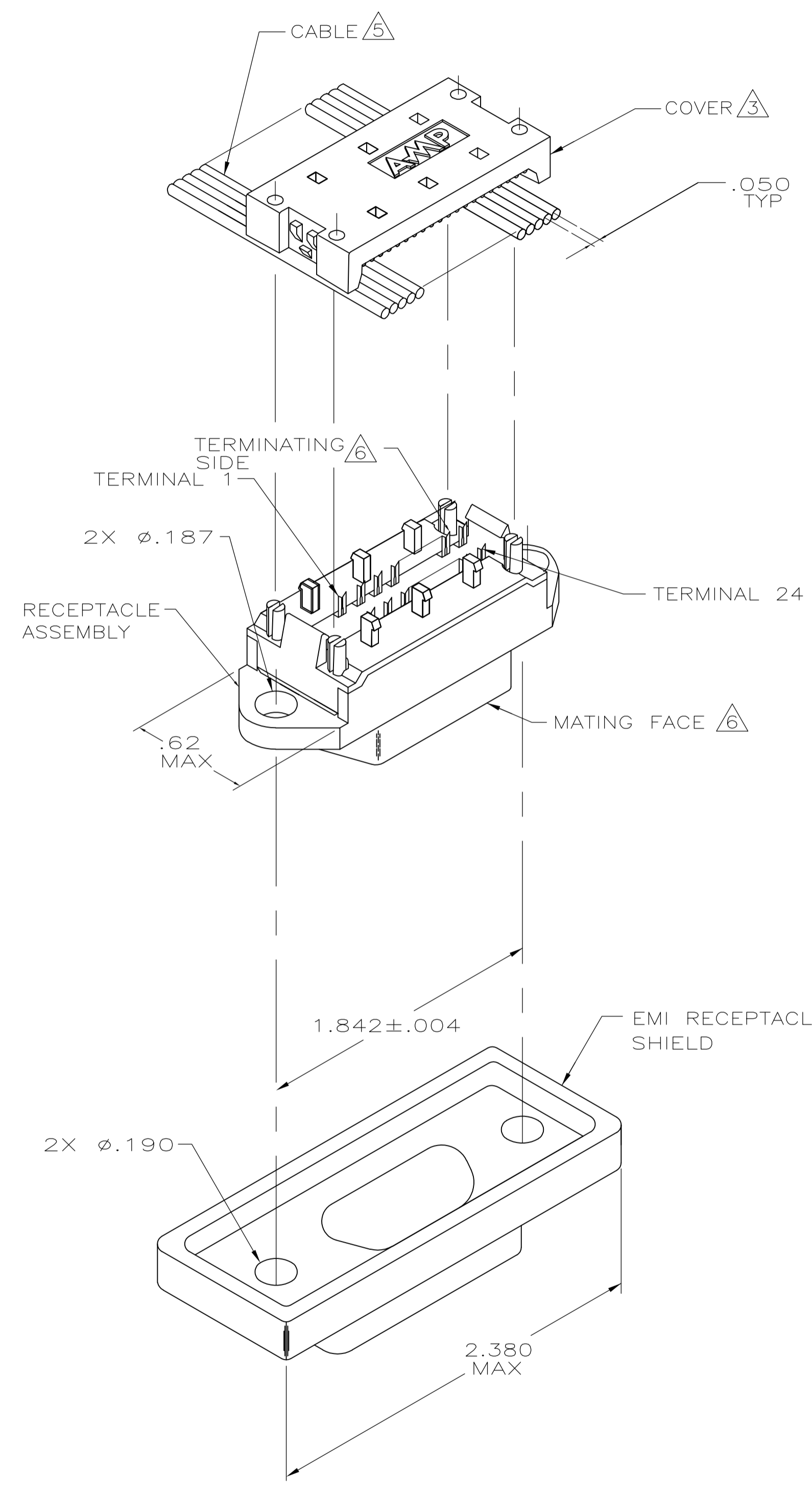
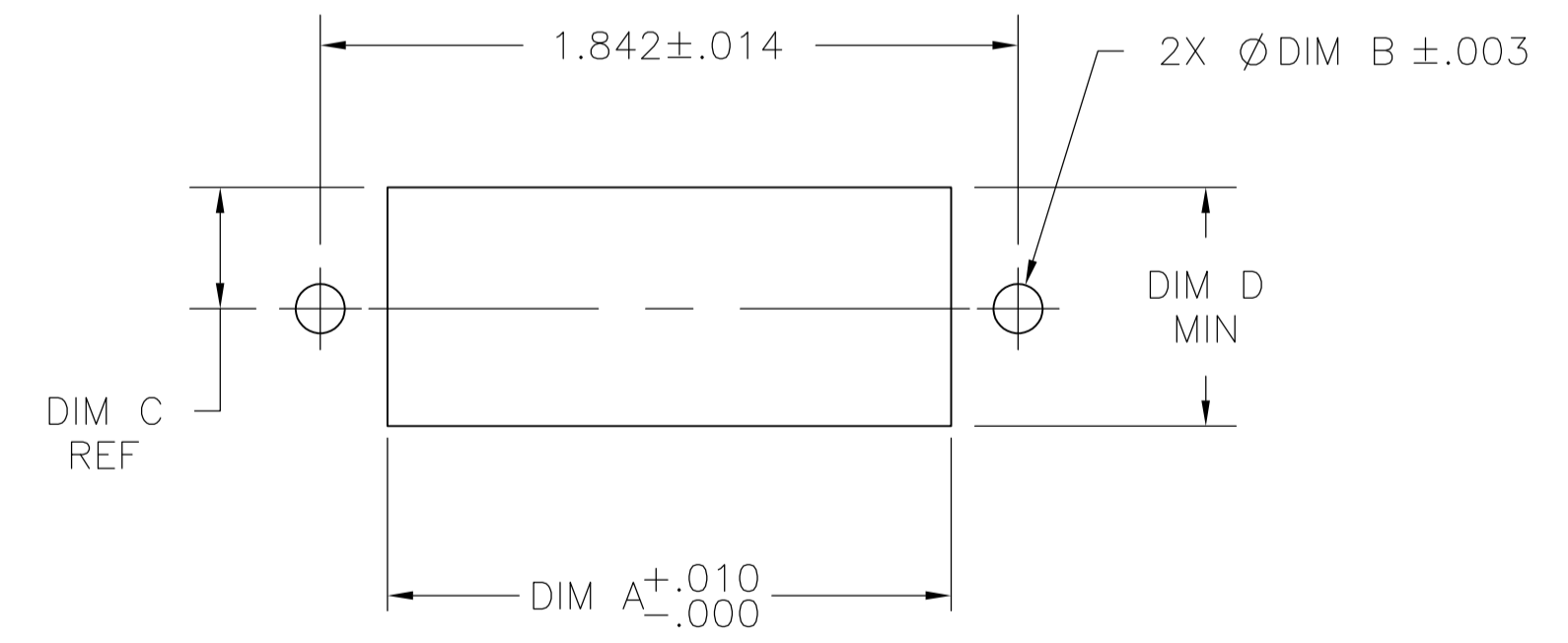


LOC		DIST		REVISIONS			
GP	00	REV	DATE	BY	APPV	DATE	BY
C		1	17APR08	BM	WM		



SUGGESTED PANEL CUTOUT FOR METRIC HARDWARE



SUGGESTED PANEL CUTOUT FOR STANDARD HARDWARE

- THE CONTACT SURFACES OF THE TERMINALS ARE COATED WITH LUBRICANT.
- MATERIAL:
 HOUSING & COVER - POLYPHENYLENE OXIDE (BLACK).
 TERMINALS - PHOS BRONZE PLATED WITH EITHER .000030 MINIMUM GOLD PLATE OR GOLD FLASH OVER PALLADIUM NICKEL PLATE, .000030 MIN TOTAL ON MATING SURFACE. GOLD FLASH PLATED ON TERMINATING SIDE. .000050 MINIMUM NICKEL UNDERPLATE OVER ENTIRE TERMINAL.
 EMI SHIELD: NICKEL PLATED DIE CASTING.
- COVER SHOWN LOOSE BUT SHIPPED ASSEMBLED.
- WIRE RANGE: 26 AWG SOLID THRU 30 AWG SOLID AND 28 AWG STRANDED RIBBON CABLE.
- FLAT CABLE SHALL BE FURNISHED BY CUSTOMER.
- MATING FACE CONSISTS OF TWO ROWS OF TERMINALS ON .085 CENTERS. TERMINATING SIDE CONSISTS OF TERMINALS ON .100 CENTERS FOR AN EFFECTIVE .050 TERMINATION.
- PANEL THICKNESS RANGE:
 METRIC HARDWARE KIT:
 INSIDE MOUNTING: .093 MAX.
 OUTSIDE MOUNTING: .125 MAX.
 STANDARD HARDWARE KIT:
 INSIDE MOUNTING: .062 MAX.
 OUTSIDE MOUNTING: .125 MAX.
- EMI SHIELD SHIPPED LOOSE.
- FOR MORE INFORMATION REFER TO AMP PRODUCT SPECIFICATION 108-6076 & APPLICATION SPEC 114-6030.

DIM D	DIM C	DIM B	DIM A	DESCRIPTION	PART NUMBER
.620	.310	.149	1.575	REAR PANEL MOUNTING	5554349-1
.640	.320	.126	1.488	FRONT PANEL MOUNTING	

THIS DRAWING IS A CONTROLLED DOCUMENT.

DIMENSIONS: INCHES	TOLERANCES UNLESS OTHERWISE SPECIFIED:	DIN 9137	16JAN06	McMASTER	16JAN06	Tyco Electronics Corporation	Tyco Electronics Corporation
0. PLC ± -	1. PLC ± -	2. PLC ± -	3. PLC ± .005	4. PLC ± -	ANGLES ± -	APVD W. MILLHIMES	16JAN06
						NAME: EMI RECEPTACLE ASSEMBLY, 24 POSITION, LOW PROFILE, SHIELDED, CHAMP LATCH PRODUCT SPEC: 108-6076 APPLICATION SPEC: 114-6030	
MATERIAL	FINISH	WEIGHT	SCALE	DRAWING NO	RESTRICTED TO	SIZE: A1 CAGE CODE: 5554349 DRAWING NO: 00779 CUSTOMER DRAWING	

SCALE: 2:1 SHEET 1 OF 1 REV C