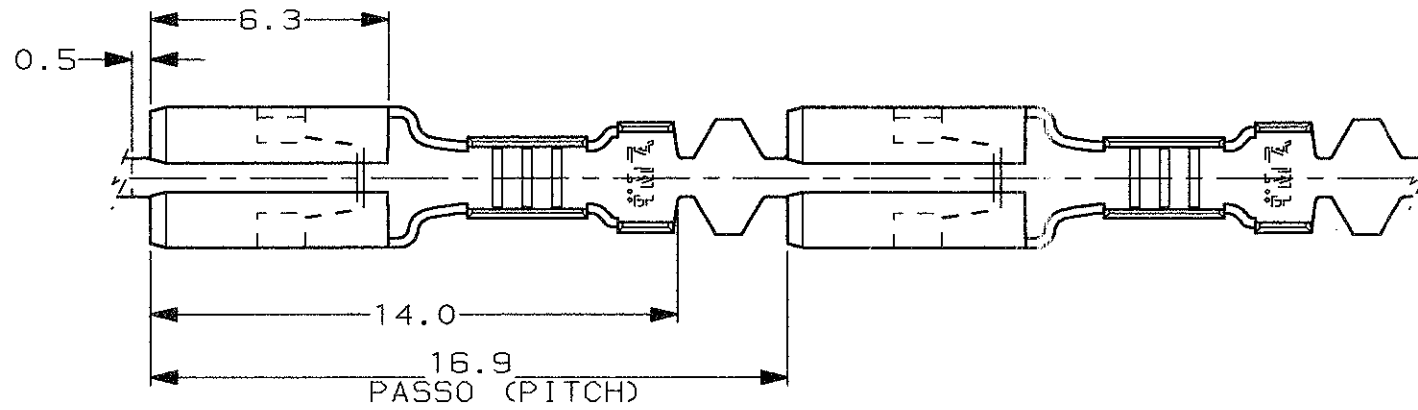


SCALA NON IMPEGNATIVA
(DO NOT SCALE)
DIMENSIONI IN mm
(DIMENSIONS IN mm)

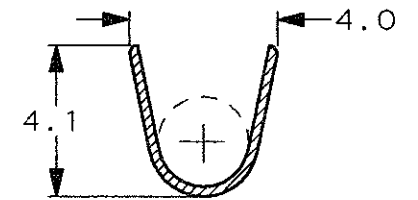
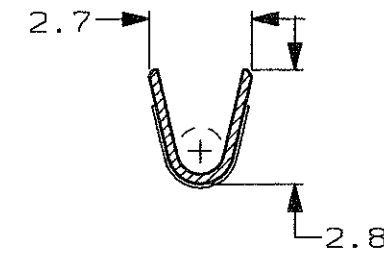
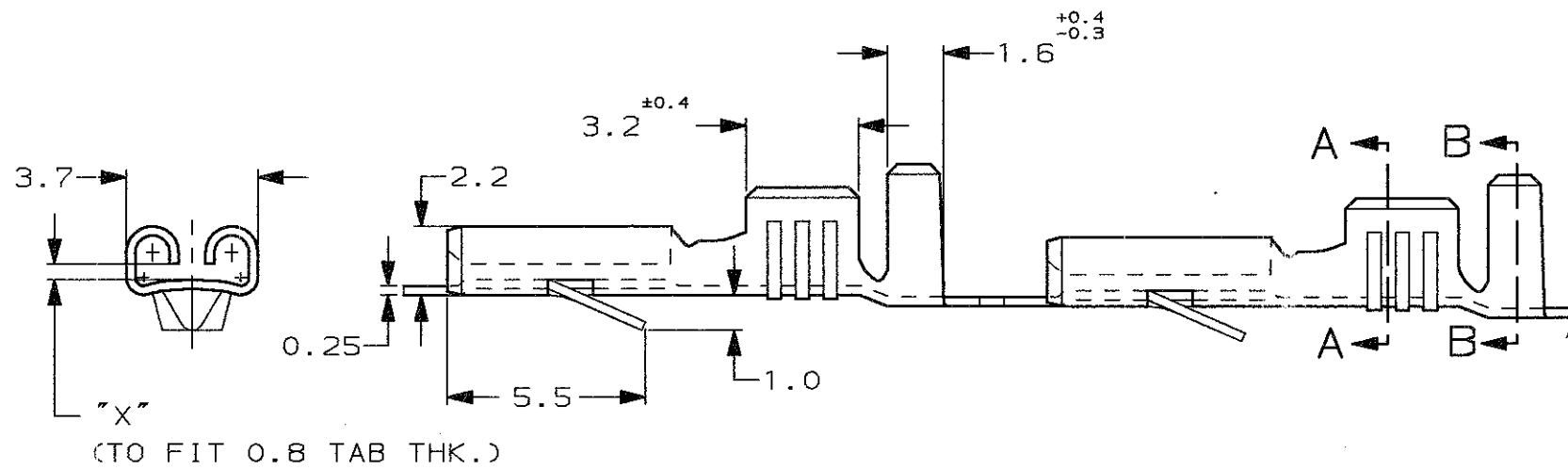
METRIC

PROIEZIONE EUROPEA
(EUROPEAN PROJECTION)



SEZIONE A-A
(SECTION A-A)

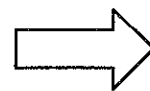
SEZIONE B-B
(SECTION B-B)



0.74 ±0.03	PRE STAGNATO (PRE TINNED)	OTTONE (BRASS)	1-160655-1	AF
0.68 ±0.08	STAGNATO (TIN PLATED)	OTTONE (BRASS)	0-160655-6	AF
	ARGENTATO (SILVER PLATED)	OTTONE (BRASS)	0-160655-5	AF
	PRE STAGNATO (PRE TINNED)	BRONZO FOSFOROSO (PHOS. BRONZE)	0-160655-4	AF
	NUDO (UNPLATED)	BRONZO FOSFOROSO (PHOS. BRONZE)	0-160655-3	AF
	PRE STAGNATO (PRE TINNED)	OTTONE (BRASS)	0-160655-2	AF
	NUDO (UNPLATED)	OTTONE (BRASS)	0-160655-1	AF
"X"	FINITURA / COLORE (FINISH / COLOUR)	MATERIALE (MATERIAL)	NUMERO (AMP P/N)	REV.

STATO DI FORNITURA - SCALA 1:1
(SUPPLY CONDITION - SCALE 1:1)

SENSO DI USCITA
DEL TERMINALE
DALLA BOBINA
(DIRECTION OFF
TOP OF REEL)



CUSTOMER DWG. FOR REFERENCE ONLY
DISEGNO PER CLIENTE SOLO PER RIFERIMENTO

THIS DRAWING IS UNPUBLISHED
RELEASE FOR PUBLICATION 19

© COPYRIGHT 19 BY AMP INCORPORATED, HARRISBURG, PA. ALL INTERNATIONAL RIGHT RESERVED. AMP PRODUCTS MAY BE COVERED BY U.S. AND FOREIGN PATENT AND/OR PATENT PENDING

TOLLERANZE, SE NON DIVERSAMENTE SPECIFICATO
(TOLERANCES, UNLESS OTHERWISE SPECIFIED)

DIAM. ISOLANTE (INS. DIA. RANGE)	RANGO FILO (WIRE RANGE) mm ²	SCALA (SCALE)
2.0-3.0	0.5-1.5	5:1

ANGOLI (ANGLES) ± 0.3
± 2°

AMP AMP ITALIA S.p.A.
Corso F.lli Cervi, 15
COLLEGNO (TORINO)

DESCRIZIONE (DESCRIPTION) FASTIN-FASTON® Connector
.110" sr. REC. CONTACT

LOC. SIZE NUMERO (DWG NO)	REV. FOGLIO (SHEET)
IA3 C-160655	AG 1 DI 1

AG	EBDO-0388-04	MG	28 SEP 2004
AF3	ECO TRANSFER TO GB ET00-0029-01	H. Y.	26 JAN 2001
AF2	UPDATED ET00-0271-00	M. P.	13 OCT 2000
AF1	ADDED P/N 1-160655-1 WITH ET00-0207-00	M. P.	17 JUL 2000
AF	REVISED ET00-0029-00	H. Y.	21 FEB 2000
G	REVISED & REDRAWN ET00-0323-99	H. Y.	27 OCT 1999
REV.	REVISIONI (REVISION RECORD)	DIS. DATA (DR)	APP. (APP.)

DISTRIBUZIONE (PRINT DIST.)