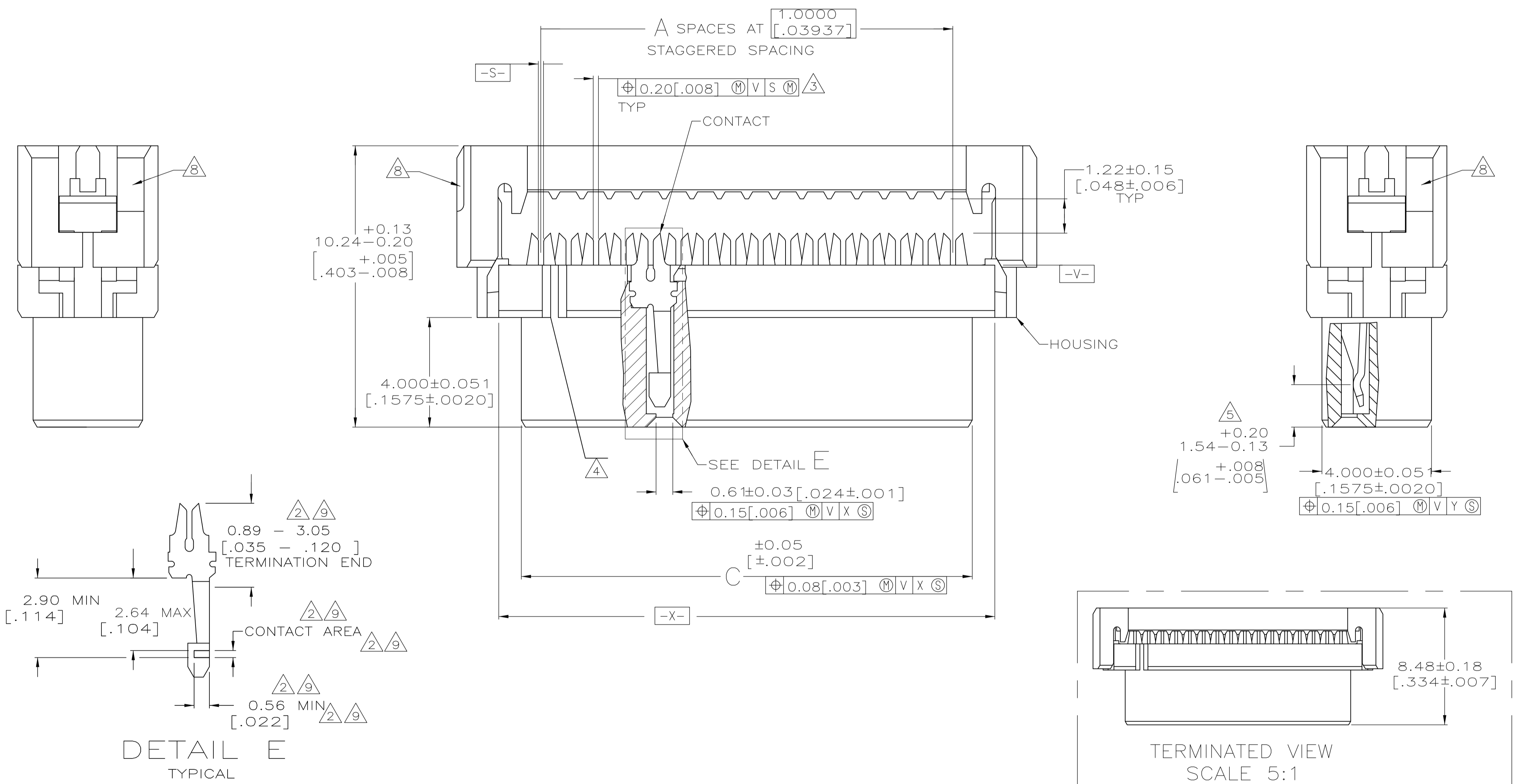


- 1 MOLDED PARTS: POLYESTER, UL RATED 94V-0, BLACK. CONTACTS: BERYLLIUM COPPER.
- 2 2.54 μm [.000100] MIN TIN-LEAD ON TERMINATION END, 0.76 μm [.000030] MIN GOLD ON CONTACT AREA, ALL OVER 1.27 μm [.000050] MIN NICKEL.
- 3 POSITION TOLERANCE APPLIES 0.76 [.030] ABOVE DATUM V.
- 4 POSITION NUMBER 1 INDICATOR.
- 5 ELECTRICAL ENGAGEMENT ZONE.
- 6. RECOMMENDED 28 AWG RIBBON CABLE, 0.61 - 0.97 [.024 - .038] THICK PVC, 1.0000 [.03937] PITCH.
- 7 AMP LOGO ORIENTATION IS OPTIONAL.
- 8 RECESS ON EACH END, OPPOSITE CORNER.
- 9 0.13 μm [.000005] MIN GOLD ON TERMINATION END, 0.76 μm [.000030] MIN GOLD ON CONTACT AREA, ALL OVER 1.27 μm [.000050] MIN NICKEL.
- 10 MOLD GATE PROJECTION ON EITHER END OF COVER TO BE EXCLUDED FROM DIMENSION 'B' MEASUREMENT.



9	0.0000	26.42	31.17	25	26	2-111626-7
9	.00000	1.040	1.227			
9	1.0000	24.41	29.18	23	24	2-111626-6
9	.03937	.961	1.149			
9	1.0000	16.41	21.18	15	16	2-111626-5
9	.03937	.646	.834			
9	1.0000	8.41	13.18	7	8	2-111626-4
9	.03937	.331	.519			
9	0.0000	50.39	55.17	49	50	2-111626-3
9	.00000	1.984	2.172			
9	1.0000	44.40	49.17	43	44	2-111626-2
9	.03937	1.748	1.936			
9	1.0000	40.41	45.19	39	40	2-111626-1
9	.03937	1.591	1.779			
9	0.0000	34.42	39.17	33	34	2-111626-0
9	.00000	1.355	1.542			
9	1.0000	20.40	25.17	19	20	1-111626-9
9	.03937	.803	.991			
9	0.0000	14.40	19.18	13	14	1-111626-8
9	.00000	.567	.755			
9	0.0000	10.41	15.16	9	10	1-111626-7
9	.00000	.410	.597			
OBSOLETE	1.0000	8.41	13.18	7	8	1-111626-6
OBSOLETE	.03937	.331	.519			
OBSOLETE	0.0000	22.40	27.18	21	22	1-111626-5
OBSOLETE	.00000	.882	1.070			
OBSOLETE	1.0000	68.40	73.18	67	68	1-111626-4
OBSOLETE	.03937	2.693	2.881			
OBSOLETE	1.0000	64.41	69.16	63	64	1-111626-3
OBSOLETE	.03937	2.536	2.723			
OBSOLETE	1.0000	60.40	65.18	59	60	1-111626-2
OBSOLETE	.03937	2.378	2.566			
OBSOLETE	0.0000	50.39	55.17	49	50	1-111626-1
OBSOLETE	.00000	1.984	2.172			
OBSOLETE	1.0000	44.40	49.17	43	44	1-111626-0
OBSOLETE	.03937	1.748	1.936			
OBSOLETE	1.0000	40.41	45.19	39	40	111626-9
OBSOLETE	.03937	1.591	1.779			
OBSOLETE	0.0000	34.42	39.17	33	34	111626-8
OBSOLETE	.00000	1.355	1.542			
OBSOLETE	0.0000	30.40	35.18	29	30	111626-7
OBSOLETE	.00000	1.197	1.385			
OBSOLETE	0.0000	26.42	31.17	25	26	111626-6
OBSOLETE	.00000	1.040	1.227			
OBSOLETE	1.0000	24.41	29.18	23	24	111626-5
OBSOLETE	.03937	.961	1.149			
OBSOLETE	1.0000	20.40	25.17	19	20	111626-4
OBSOLETE	.03937	.803	.991			
OBSOLETE	1.0000	16.41	21.18	15	16	111626-3
OBSOLETE	.03937	.646	.834			
OBSOLETE	0.0000	14.40	19.18	13	14	111626-2
OBSOLETE	.00000	.567	.755			
OBSOLETE	0.0000	10.41	15.16	9	10	111626-1
OBSOLETE	.00000	.410	.597			

CONTACT FINISH		D	C	B	A	NO OF POSN	PART NO
DIN C. OBERMAN 02-24-92		C. OBERMAN 3-9-92		J. McCLINTON			
DIMENSIONS: mm [INCHES]		TOLERANCES UNLESS OTHERWISE SPECIFIED:		NAME			
0 PLC ± -		1 PLC ± -		PRODUCT SPEC			
2 PLC ± ± 0.08 [.003]		3 PLC ± ± -		APPLICATION SPEC			
4 PLC ± ± -		ANGLES ± ± -		SIZE CASE CODE DRAWING NO			
MATERIAL		FINISH		WEIGHT		RESTRICTED TO	
A1		A1		A1		A1	
CUSTOMER DRAWING		SCALE 10:1		SHEET 1 of 1		REV M2	

Mouser Electronics

Authorized Distributor

Click to View Pricing, Inventory, Delivery & Lifecycle Information:

[TE Connectivity:](#)

[1-111626-7](#)