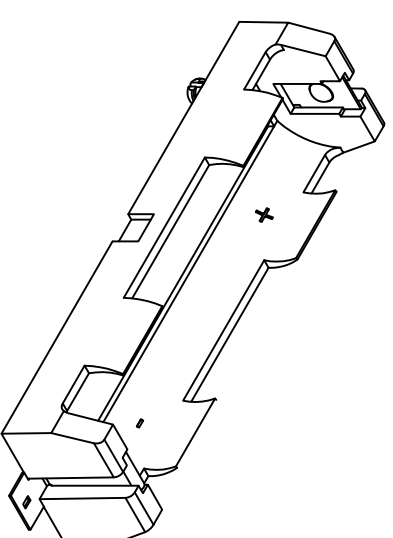


DATE	DESCRIPTION	REV.
10.08.13	CHANGE AS PER ECN 13-091 CONTACT MAT'L PHOSPHOR BRONZE	A
1.14.20	CHANGE AS PER ECN 20-001 B1 WAS 3.386 [86.00] ADJUST MOUNTING LAYOUT TO MAX. TOLERANCE.	B

- NOTE:
1. BASE:
MAT'L: HEAT RESISTANCE NYLON
STANYL 46 OR EQUIVALENT
 2. CONTACT:
MAT'L: .012 [0.30] THK STAINLESS STEEL
FINISH: GOLD FLASH, OVER NICKEL PLATE
 3. HOLDER DESIGNED FOR BATTERIES 67mm LONG
WITH BUILD IN CIRCUIT PROTECTION



KEYSTONE ELECTRONICS CORP.			
www.keystone.com • ASTORIA, N.Y. 11105-2017 • Tel (718) 956-8900			
PART NAME PC POLARIZED BATTERY HOLDER			
MATERIAL AS NOTED			
FINISH AS NOTED		DRN BY NT	
TOLERANCES DECIMAL ± .010 [± 0.25] ANGULAR ± 1°		DATE 7.12.13	
CODE C		DWG NO. 1042P	
SCALE 1.25X			

THIS DOCUMENT IS THE PROPERTY OF KEYSTONE ELECTRONICS CORP. AND SHALL NOT BE REPRODUCED, DISTRIBUTED OR USED AS A BASIS FOR MANUFACTURE WITHOUT PRIOR WRITTEN PERMISSION FROM KEYSTONE ELECTRONICS CORP.