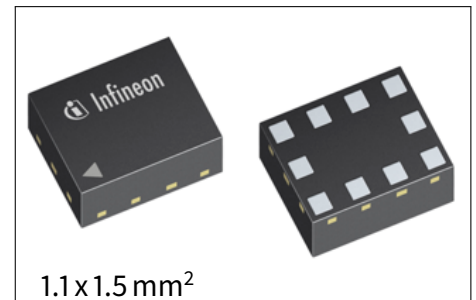


BGSA14GN10

Single-Pole Quad Throw Antenna Tuning Switch

Features

- Designed for high linearity and high RF voltage tuning applications
- Multiple selectable switch configurations:
Each throw directly and independently controlled
- Low R_{ON} resistance of $1.6\ \Omega$ at each port in ON state
- Low C_{OFF} capacitance of 120 fF at each port in OFF state
- High bidirectional RF operating voltage of 36 V in OFF state
- Low harmonic generation
- 2 GPIO pins control interface
- Supply voltage range: 1.65 to 3.6 V
- No RF parameter change within supply voltage range
- Small form factor 1.1 mm x 1.5 mm (MSL1, 260°C per JEDEC J-STD-020)
- RoHS and WEEE compliant package



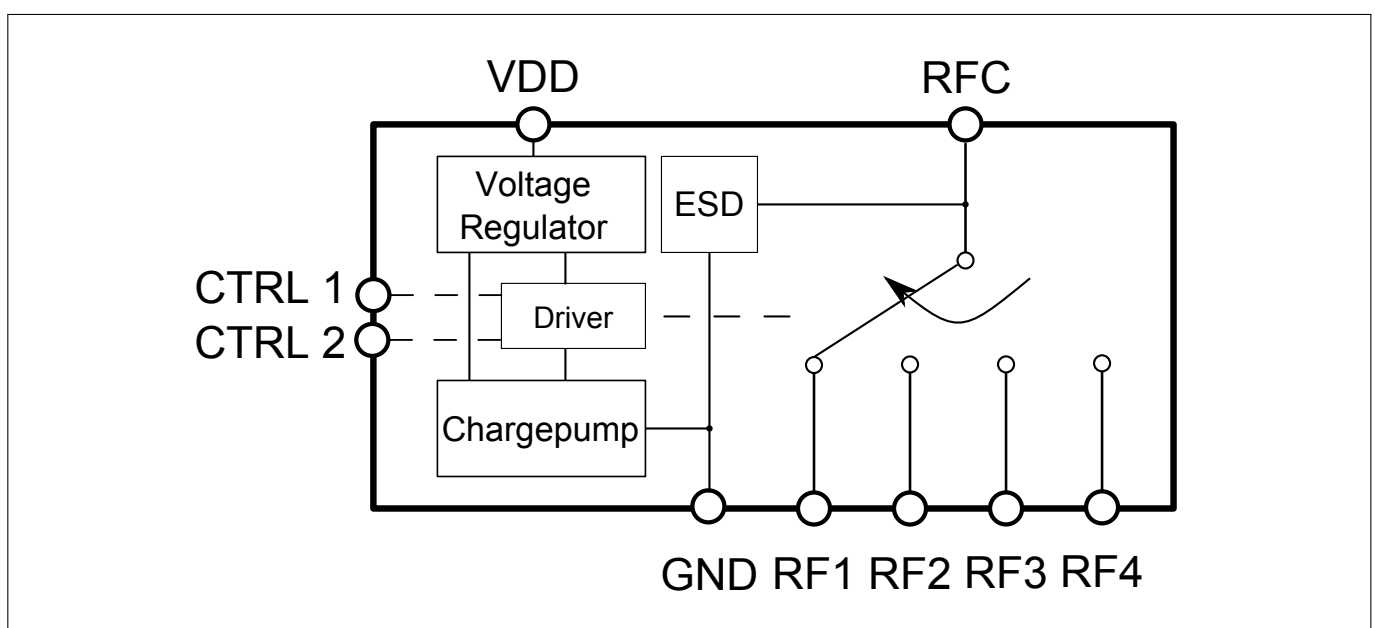
Potential Applications

- Impedance Tuning
- Antenna Tuning
- Inductance Tuning
- Tunable Filters

Product Validation

Qualified for industrial applications according to the relevant tests of JEDEC47/20/22.

Block Diagram



BGSA14GN10

Single-Pole Quad Throw Antenna Tuning Switch

Table of Contents

Table of Contents

1	Features	2
2	Maximum Ratings	3
3	DC Characteristics	5
4	RF Small Signal Characteristics	7
5	RF large signal parameter	8
6	Logic Truth Table	10
7	Application Information	11
8	Package Information	12

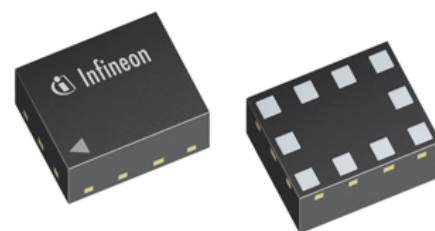
BGSA14GN10

Single-Pole Quad Throw Antenna Tuning Switch

Features

1 Features

- Designed for high linearity and high RF voltage tuning applications
- Multiple selectable switch configurations:
Each throw directly and independently controlled
- Low R_{ON} resistance of 1.6Ω at each port in ON state
- Low C_{OFF} capacitance of 120 fF at each port in OFF state
- High bidirectional RF operating voltage of 36 V in OFF state
- Low harmonic generation
- 2 GPIO pins control interface
- Supply voltage range: 1.65 to 3.6 V
- No RF parameter change within supply voltage range
- Small form factor 1.1 mm x 1.5 mm (MSL1, 260°C per JEDEC J-STD-020)
- RoHS and WEEE compliant package



Description

The BGSA14GN10 is a Single Pole Quad Throw (SP4T) RF antenna aperture switch optimized for low C_{OFF} enabling applications up to 6.0 GHz. This single supply chip integrates on-chip CMOS logic driven by a simple, single-pin CMOS or TTL compatible control input signal. Unlike GaAs technology, the 0.1dB compression point exceeds the switch maximum input power level, resulting in linear performance at all signal levels and external DC blocking capacitors at the RF ports are only required if DC voltage is applied externally. Due to its very high RF voltage ruggedness it is suited for switching any reactive devices such as inductors and capacitors in RF matching circuits without significant losses in quality factors.

Product Name	Marking	Package
BGSA14GN10	A4	TSNP-10-1/TSNP-10-2

BGSA14GN10

Single-Pole Quad Throw Antenna Tuning Switch

Maximum Ratings

2 Maximum Ratings

Table 1: Maximum Ratings, Table I at $T_A = 25\text{ }^\circ\text{C}$, unless otherwise specified

Parameter	Symbol	Values			Unit	Note / Test Condition
		Min.	Typ.	Max.		
Frequency Range	f	0.1	–	–	GHz	1)
Supply voltage ²⁾	V_{DD}	-0.5	–	3.6	V	Only for infrequent and short duration time periods
Storage temperature range	T_{STG}	-55	–	150	$^\circ\text{C}$	–
RF input power	P_{RF_max}	–	–	39	dBm	Pulsed RF input power, duty cycle of 25 % with $T_{period} = 4620\ \mu\text{s}$, ON-state, setup as of Fig. 1
RF voltage	V_{RF_max}	–	–	48	V	Short term peaks ($1\ \mu\text{s}$, duty cycle 0.1%), Isolation mode, test setup acc. Fig. 2 / Fig. 3 and exceeding typical linearity, R_{ON} and C_{OFF} parameters
ESD capability, CDM ³⁾	V_{ESD_CDM}	-1.5	–	+1.5	kV	
ESD capability, HBM ⁴⁾	V_{ESD_HBM}	-1	–	+1	kV	
ESD capability, system level (RF port) ⁵⁾	V_{ESD_ANT}	-8	–	+8	kV	RF vs system GND, with 27 nH shunt inductor
Junction temperature	T_J	–	–	125	$^\circ\text{C}$	–
Thermal resistance junction - soldering point	R_{thJS}	–	–	45	K/W	–
Maximum DC-voltage on RF-Ports and RF-Ground	V_{RFDC}	0	–	0	V	No DC voltages allowed on RF-Ports
Control Voltage Levels	V_{Ctrlx}	-0.7	–	$V_{DD} + 0.7$ (max. 3.6)	V	–
Moisture Sensitivity Level	MSL	–	1	–		–

¹⁾ Switch has a low-pass response. For higher frequencies, losses have to be considered for their impact on thermal heating. The DC voltage at RF ports V_{RFDC} has to be 0 V.

²⁾ Note: Consider potential ripple voltages on top of V_{IO} . Including RF ripple, V_{IO} must not exceed the maximum ratings: $V_{Ctrl} = V_{DC} + V_{ripple}$.

³⁾ Field-Induced Charged-Device Model ANSI/ESDA/JEDEC JS-002. Simulates charging/discharging events that occur in production equipment and processes. Potential for CDM ESD events occurs whenever there is metal-to-metal contact in manufacturing.

⁴⁾ Human Body Model ANSI/ESDA/JEDEC JS-001 ($R = 1,5\ \text{k}\Omega$, $C = 100\ \text{pF}$).

⁵⁾ IEC 61000-4-2 ($R = 330\ \Omega$, $C = 150\ \text{pF}$), contact discharge.

Warning: Stresses above the max. values listed here may cause permanent damage to the device. Maximum ratings are absolute ratings; exceeding only one of these values may cause irreversible damage to the integrated circuit. Exposure to conditions at or below absolute maximum rating but above the specified maximum operation conditions may affect device reliability and life time. Functionality of the device might not be given under these conditions.

BGSA14GN10

Single-Pole Quad Throw Antenna Tuning Switch

Maximum Ratings

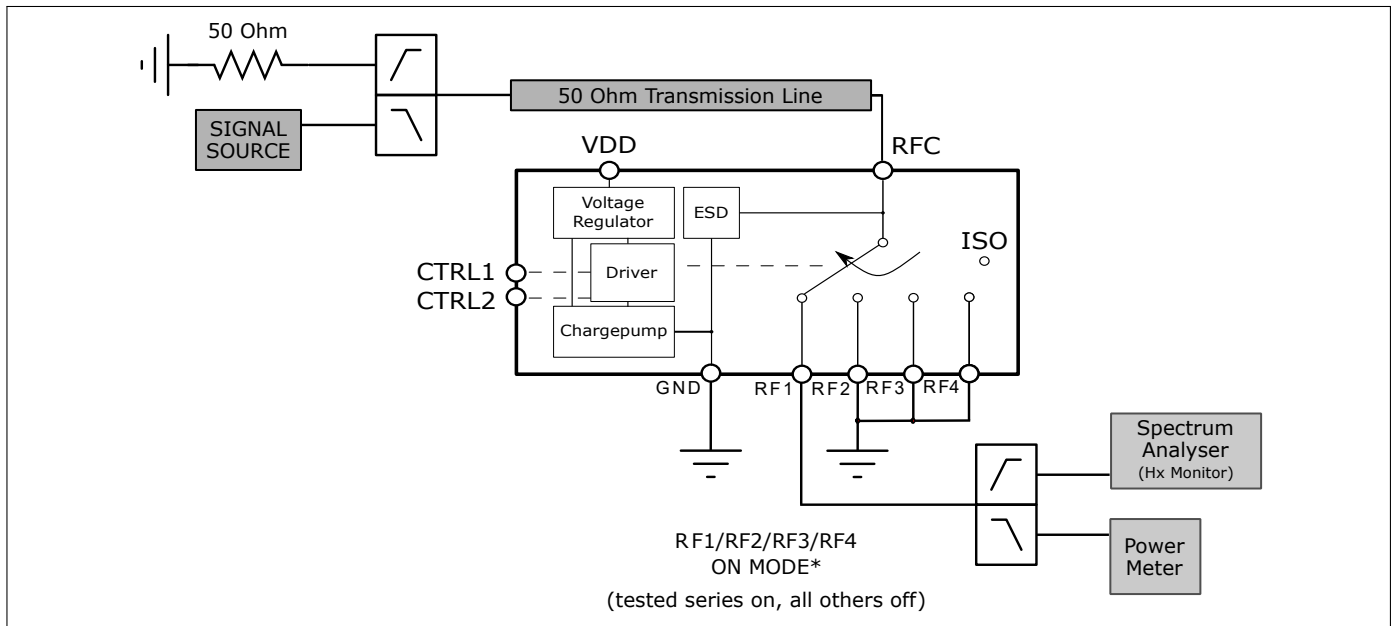


Figure 1: RF operating and Harmonics generation measurement configuration - RFX ON mode

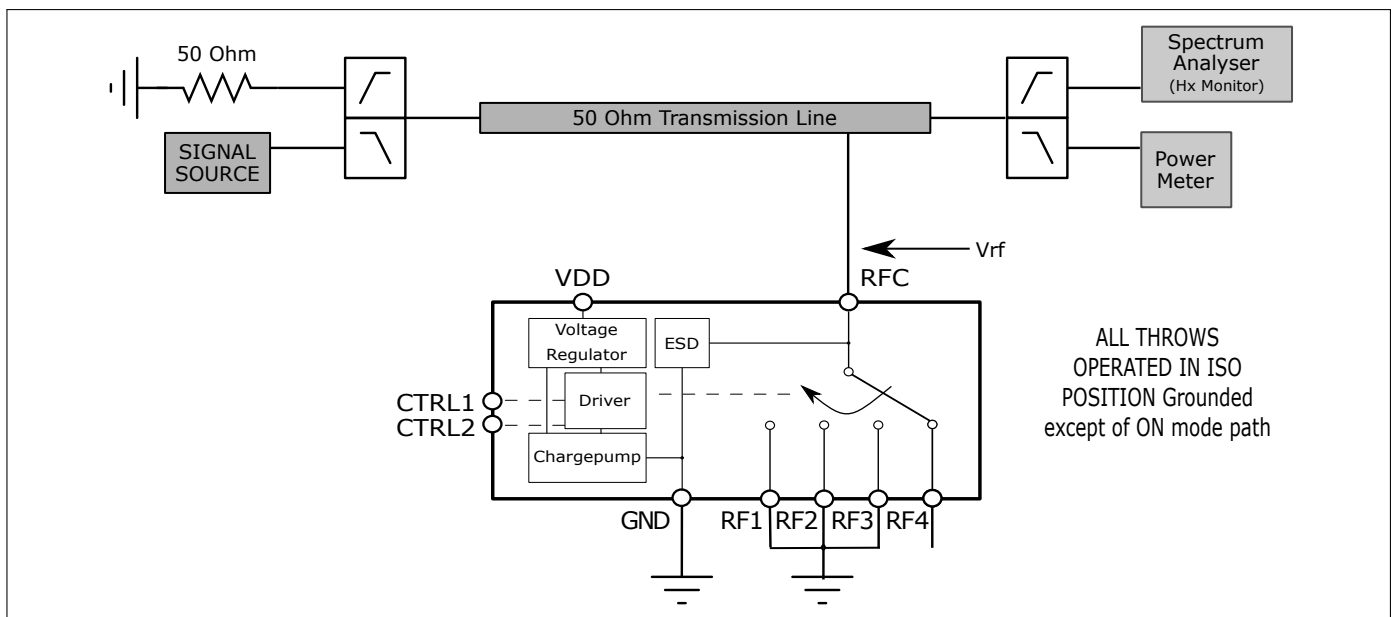


Figure 2: RF operating voltage measurement configuration - OFF mode at RFC

BGSA14GN10

Single-Pole Quad Throw Antenna Tuning Switch



DC Characteristics

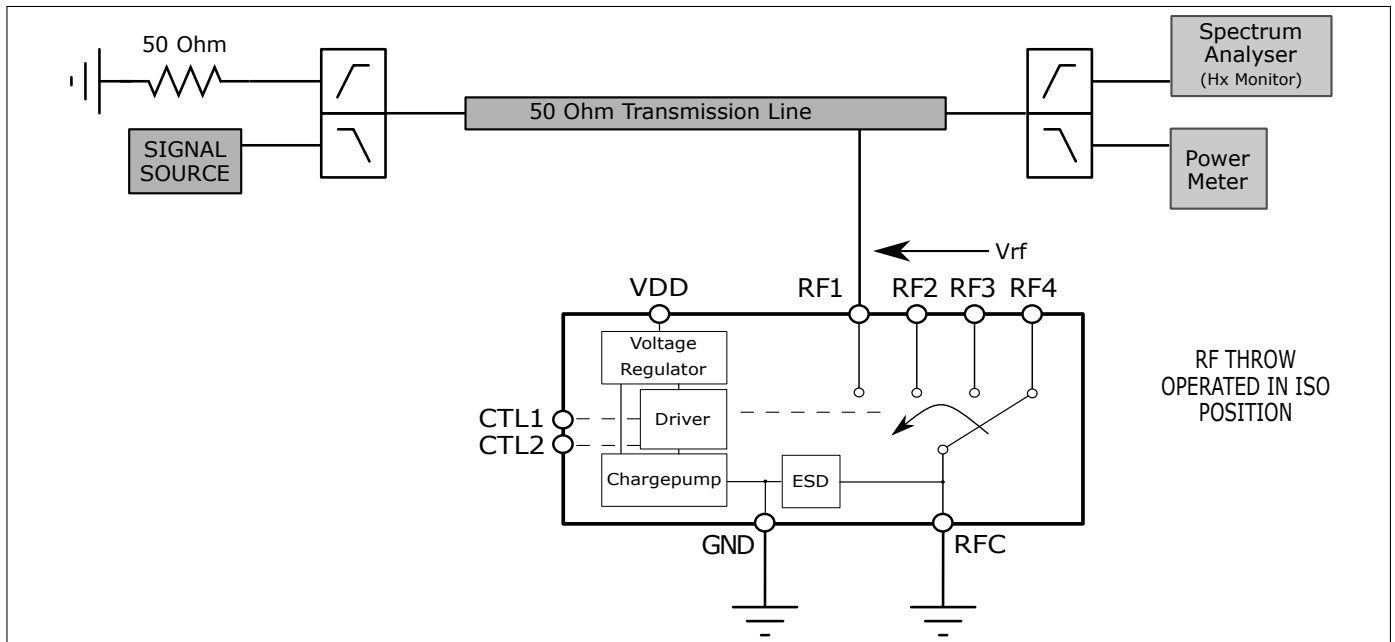


Figure 3: RF operating voltage measurement configuration - OFF mode at RFx

3 DC Characteristics

Table 2: DC Characteristics at $T_A = -40\text{ }^{\circ}\text{C}$ to $85\text{ }^{\circ}\text{C}$

Parameter	Symbol	Values			Unit	Note / Test Condition
		Min.	Typ.	Max.		
Supply voltage	V_{DD}	1.65	2.8	3.6	V	-
Supply current	I_{DD}	-	80	150	μA	-
Control voltage low	$V_{Ctrl,low}$	0	-	0.45	V	-
Control voltage high	$V_{Ctrl,high}$	1.2	1.8	2.85	V	$V_{Ctrl,high} < V_{DD}$
Control current low	$I_{Ctrl,low}$	-1	0	1	μA	-
Control current high	$I_{Ctrl,high}$	-1	0	1	μA	$V_{Ctrl,high} < V_{DD}$
Ambient temperature	T_A	-40	25	85	$^{\circ}\text{C}$	-
RF switching time	t_{ST}	2	5	7	μs	$P_{IN} = 0\text{ dBm}$, $Z_0 = 50\ \Omega$, $T_A = -40\text{ }^{\circ}\text{C} \dots +85\text{ }^{\circ}\text{C}$ $V_{DD} = 1.65 - 3.6\text{ V}$
Startup time	t_{Pup}	-	20	30	μs	Referring Fig. 4 and Fig. 5

BGSA14GN10

Single-Pole Quad Throw Antenna Tuning Switch

DC Characteristics

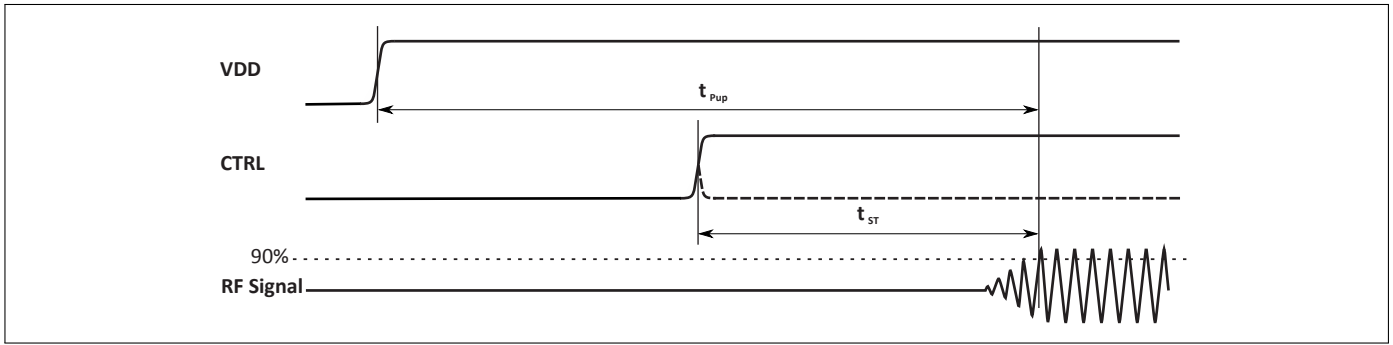


Figure 4: Switching Time Definition

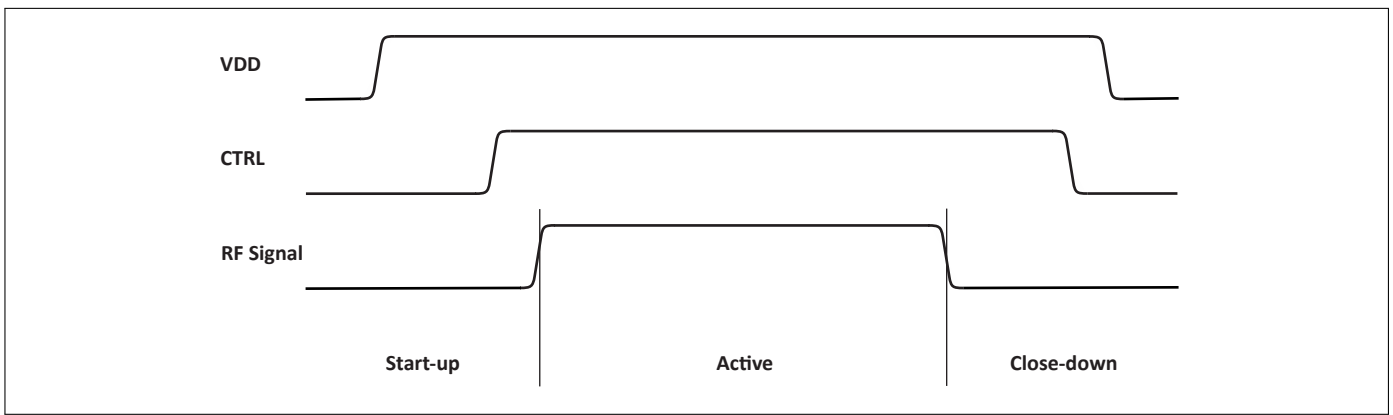


Figure 5: Timing of Control and RF signals for valid operation

BGSA14GN10

Single-Pole Quad Throw Antenna Tuning Switch

RF Small Signal Characteristics

4 RF Small Signal Characteristics

Table 3: RF small signal parameter

Parameter	Symbol	Values			Unit	Note / Test Condition
		Min.	Typ.	Max.		
Frequency range	f	0.1	–	6.0	GHz	–
Switch ON resistance	R_{ON}	–	1.6		Ω	RFx to RFC
Switch OFF capacitance	C_{OFF}	–	120		fF	RFx to RFC
Parasitic RF shunt capacitance	$C_{SH,PAR}$	–	42		fF	RFx to GND, extracted value for 2 GHz
Switch series inductance	L_{SER}	–	0.1		nH	
Insertion Loss ^(1,2)						
600 - 960 MHz	IL	0.15	0.22	0.36	dB	$V_{DD} = 1.65 - 3.6 V,$ $Z_0 = 50 \Omega,$ $T_A = -40^\circ C... + 85^\circ C$
1710 - 1980 MHz		0.23	0.37	0.47	dB	
1980 - 2170 MHz		0.29	0.39	0.49	dB	
2170 - 2690 MHz		0.36	0.46	0.59	dB	
Return Loss ^(1,2)						
All Ports @ 600 - 960 MHz	RL	20	22	26	dB	$V_{DD} = 1.65 - 3.6 V,$ $Z_0 = 50 \Omega, T_A = -40^\circ C... + 85^\circ C$
All Ports @ 1710 - 2690 MHz		17	21	25	dB	
Isolation RFx to RFC ^(1,2)						
600 - 960 MHz	ISO	29	31	38	dB	$V_{DD} = 1.65 - 3.6 V, Z_0 = 50 \Omega,$ $T_A = -40^\circ C... + 85^\circ C$
1710 - 1980 MHz		21	25	35	dB	
1980 - 2170 MHz		20	23	35	dB	
2170 - 2690 MHz		17	20	27	dB	

¹⁾ Valid for all RF power levels, no compression behavior

²⁾ On application board without any matching components

5 RF large signal parameter

Table 4: RF large signal specifications

Parameter	Symbol	Values			Unit	Note / Test Condition
		Min.	Typ.	Max.		
RF operating voltage	V_{RF_peak}	–	–	36	V	All Switch throws operated in isolation Mode, except one throw switched ON with open termination. Test condition schematic in Fig.2. All RF parameters in specs including harmonic distortion
Harmonic Generation up to 12.75 GHz^(1,2,3)						
All RF Ports - Second Order Harmonics	P_{H2}	–	105	–	dBc	25 dBm, 50Ω, $f_0 = 786$ MHz
All RF Ports - Third Order Harmonics	P_{H3}	–	115	–	dBc	25 dBm, 50Ω, $f_0 = 786$ MHz
All RF Ports - Second Order Harmonics	P_{H2}	–	93	–	dBc	33 dBm, 50Ω, $f_0 = 824$ MHz
All RF Ports - Third Order Harmonics	P_{H3}	–	94	–	dBc	33 dBm, 50Ω, $f_0 = 824$ MHz
All RF Ports	P_{Hx}	105	–	–	dBc	25 dBm, 50Ω
Intermodulation Distortion IMD2^(1,2,3)						
IIP2, low	IIP2,l	–	110	–	dBm	IIP2 conditions table 5
IIP2, high	IIP2,h	–	120	–	dBm	
Intermodulation Distortion IMD3^(1,2,3)						
IIP3	IIP3	–	75	–	dBm	IIP3 conditions table 6
SV LTE Intermodulation^(1,2,3)						
IIP3,SVLTE	IIP3,SV	–	75	–	dBm	SV-LTE conditions table 7

¹⁾ Terminating Port Impedance: $Z_0 = 50 \Omega$

²⁾ Supply Voltage: $V_{DD} = 1.65 - 3.6 V$

³⁾ On application board without any matching components

BGSA14GN10

Single-Pole Quad Throw Antenna Tuning Switch



RF large signal parameter

Table 5: IIP2 conditions

Band	In-Band Frequency [MHz]	Blocker Frequency 1 [MHz]	Blocker Power 1 [dBm]	Blocker Frequency 2 [MHz]	Blocker Power 2 [dBm]
Band 1 Low	2140	1950	20	190	-15
Band 1 High	2140	1950	20	4090	-15
Band 5 Low	881.5	836.5	20	45	-15
Band 5 High	881.5	836.5	20	1718	-15

Table 6: IIP3 conditions

Band	In-Band Frequency [MHz]	Blocker Frequency 1 [MHz]	Blocker Power 1 [dBm]	Blocker Frequency 2 [MHz]	Blocker Power 2 [dBm]
Band 1	2140	1950	20	1760	-15
Band 5	881.5	836.5	20	791.5	-15

Table 7: SV-LTE conditions

Band	In-Band Frequency [MHz]	Blocker Frequency 1 [MHz]	Blocker Power 1 [dBm]	Blocker Frequency 2 [MHz]	Blocker Power 2 [dBm]
Band 5	872	827	23	872	14
Band 13	747	786	23	747	14
Band 20	878	833	23	2544	14

6 Logic Truth Table

Table 8: Modes of Operation

State	Mode	CTRL1	CTRL2
1	RF1 to RFc	0	0
2	RF2 to RFc	0	1
3	RF3 to RFc	1	0
4	RF4 to RFc	1	1

Mapping of Switch Rows to Bit: ON = 1, OFF = 0

BGSA14GN10

Single-Pole Quad Throw Antenna Tuning Switch

Application Information

7 Application Information

Pin Configuration and Function

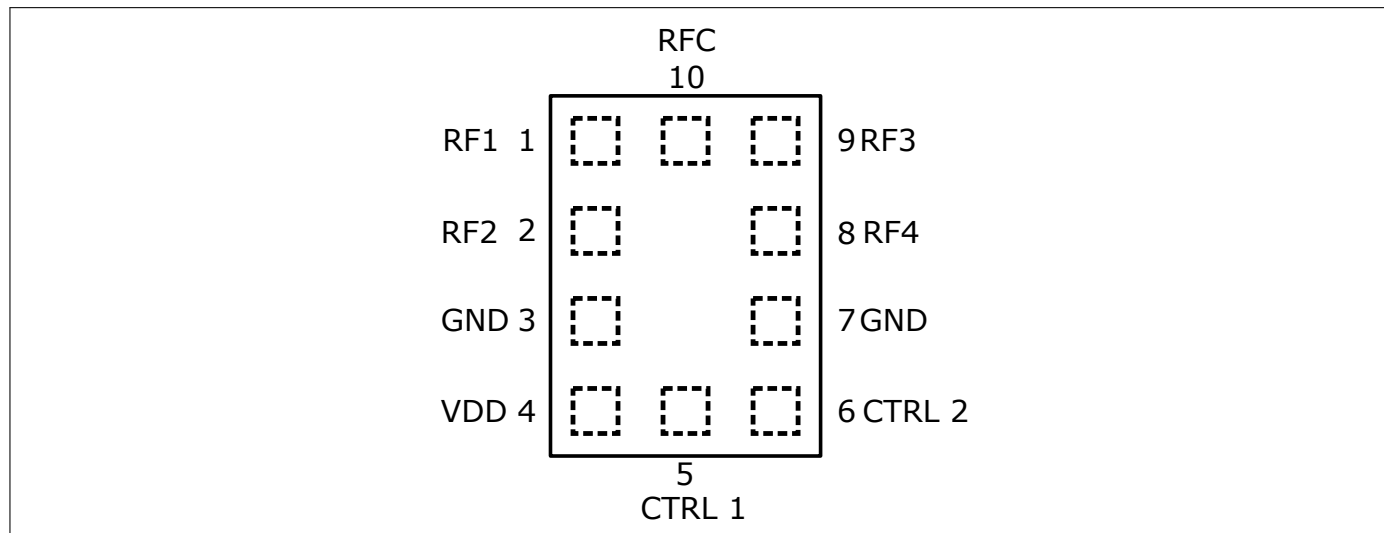


Figure 6: BGSA14GN10 Pin Configuration (top view)

Table 9: Pin Definition and Function

Pin No.	Name	Function
1	RF1	RF1 port
2	RF2	RF2 port
3	GND	Ground
4	VDD	Power Supply
5	CTRL1	GPIO digital control line
6	CTRL2	GPIO digital control line
7	GND	Ground
8	RF4	RF4 port
9	RF3	RF3 port
10	RFC	Common RF

BGSA14GN10

Single-Pole Quad Throw Antenna Tuning Switch

Package Information

8 Package Information

Table 10: Mechanical Data

Parameter	Symbol	Value	Unit
X-Dimension	<i>X</i>	1.1 ± 0.05	mm
Y-Dimension	<i>Y</i>	1.5 ± 0.05	mm
Size	<i>Size</i>	2.25	mm ²
Height	<i>H</i>	$0.375 + 0.025 / - 0.015$	mm

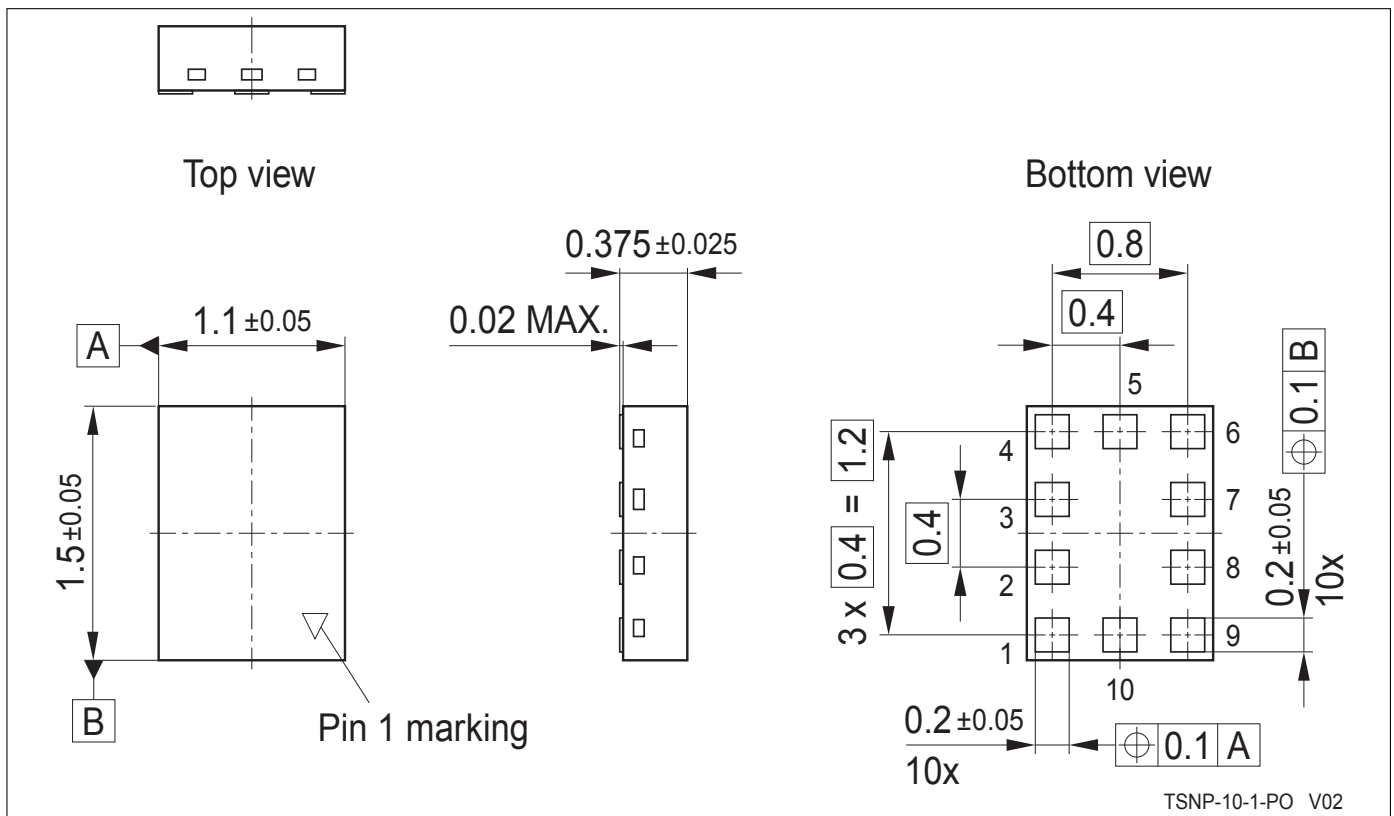


Figure 7: TSNP-10-1 Package Outline (top, side and bottom views)

BGSA14GN10

Single-Pole Quad Throw Antenna Tuning Switch

Package Information

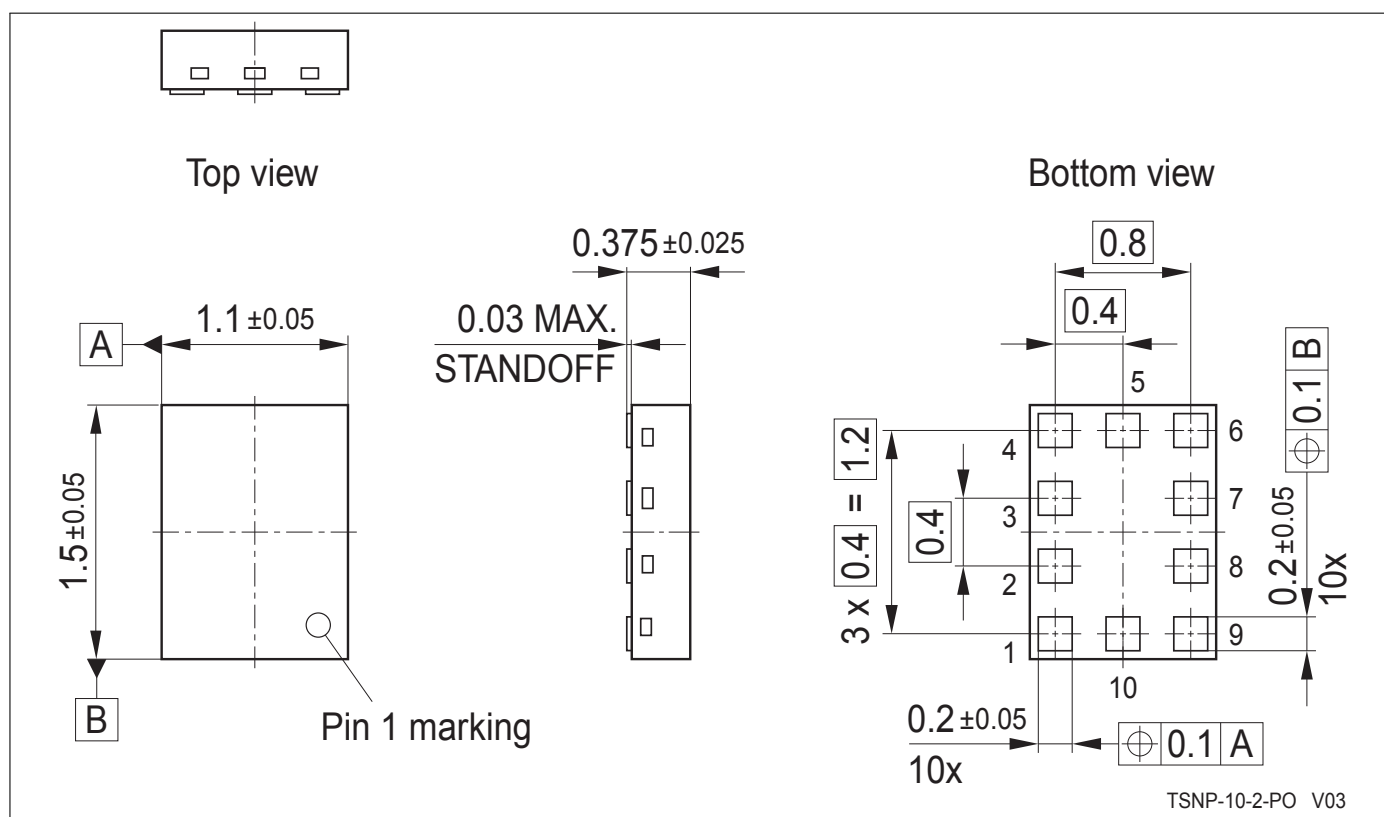


Figure 8: TSNP-10-2 Package Outline (top, side and bottom views)

BGSA14GN10

Single-Pole Quad Throw Antenna Tuning Switch



Package Information

Table 11: Year date code marking - digit "Y"

Year	"Y"	Year	"Y"	Year	"Y"
2010	0	2020	0	2030	0
2011	1	2021	1	2031	1
2012	2	2022	2	2032	2
2013	3	2023	3	2033	3
2014	4	2024	4	2034	4
2015	5	2025	5	2035	5
2016	6	2026	6	2036	6
2017	7	2027	7	2037	7
2018	8	2028	8	2038	8
2019	9	2029	9	2039	9

Table 12: Week date code marking - digit "W"

Week	"W"	Week	"W"	Week	"W"	Week	"W"	Week	"W"
1	A	12	N	23	4	34	h	45	v
2	B	13	P	24	5	35	j	46	x
3	C	14	Q	25	6	36	k	47	y
4	D	15	R	26	7	37	l	48	z
5	E	16	S	27	a	38	n	49	8
6	F	17	T	28	b	39	p	50	9
7	G	18	U	29	c	40	q	51	2
8	H	19	V	30	d	41	r	52	3
9	J	20	W	31	e	42	s	53	M
10	K	21	Y	32	f	43	t		
11	L	22	Z	33	g	44	u		

BGSA14GN10

Single-Pole Quad Throw Antenna Tuning Switch

Package Information

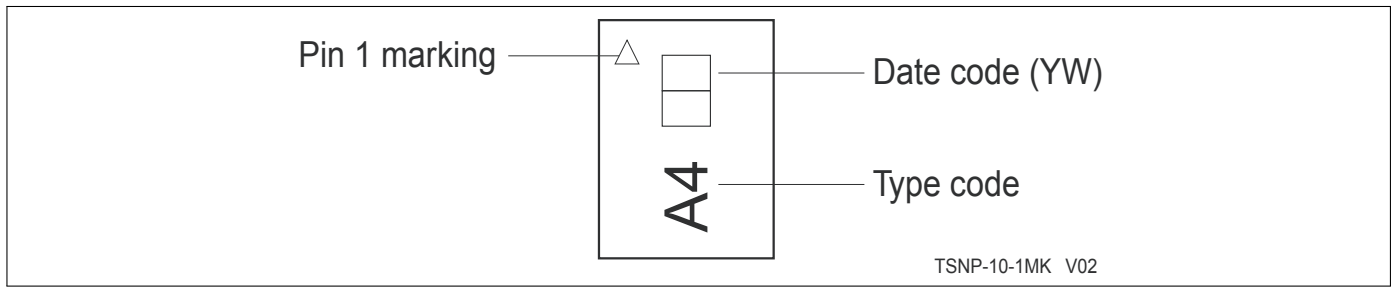


Figure 9: TSNP10-1 Marking Specification (top view): Date code digits Y and W defined in Table 11/12

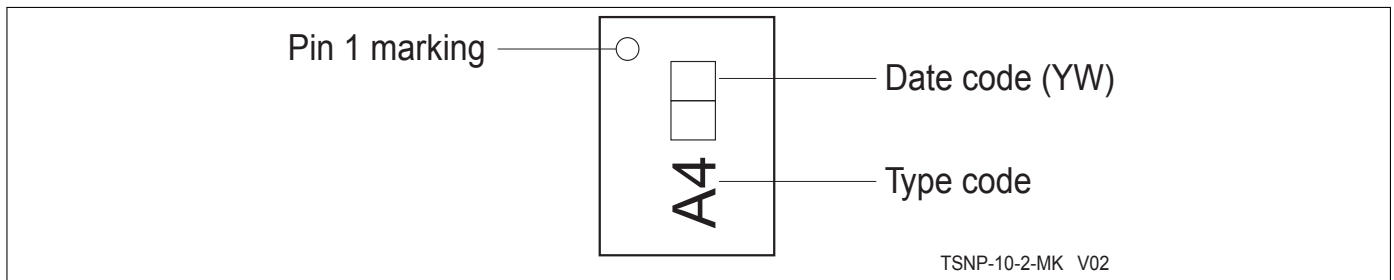


Figure 10: TSNP10-2 Marking Specification (top view): Date code digits Y and W defined in Table 11/12

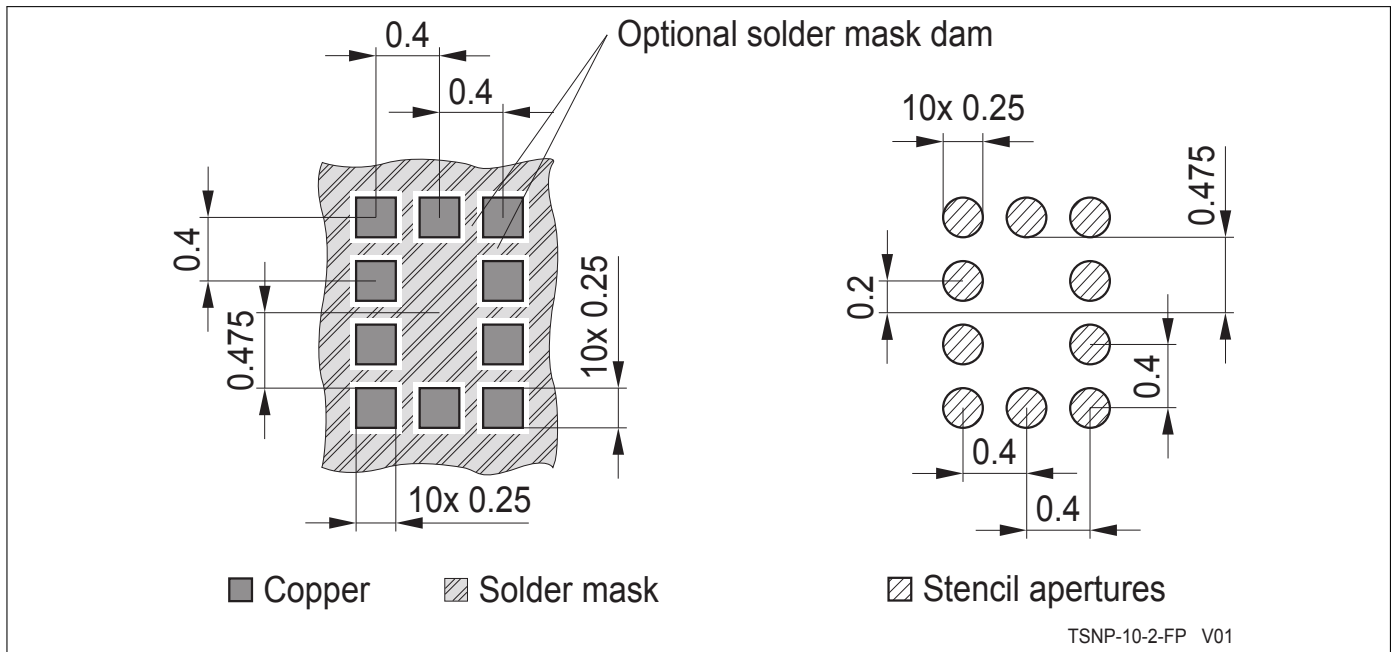


Figure 11: Land pattern and stencil mask (TSNP-10-1/-2)

BGSA14GN10

Single-Pole Quad Throw Antenna Tuning Switch

Package Information

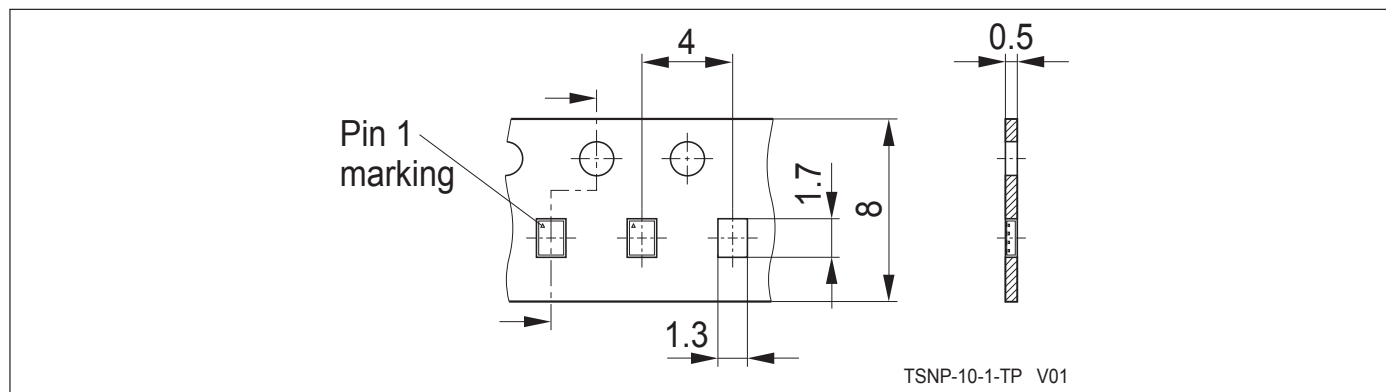


Figure 12: Carrier Tape (TSNP-10-1)

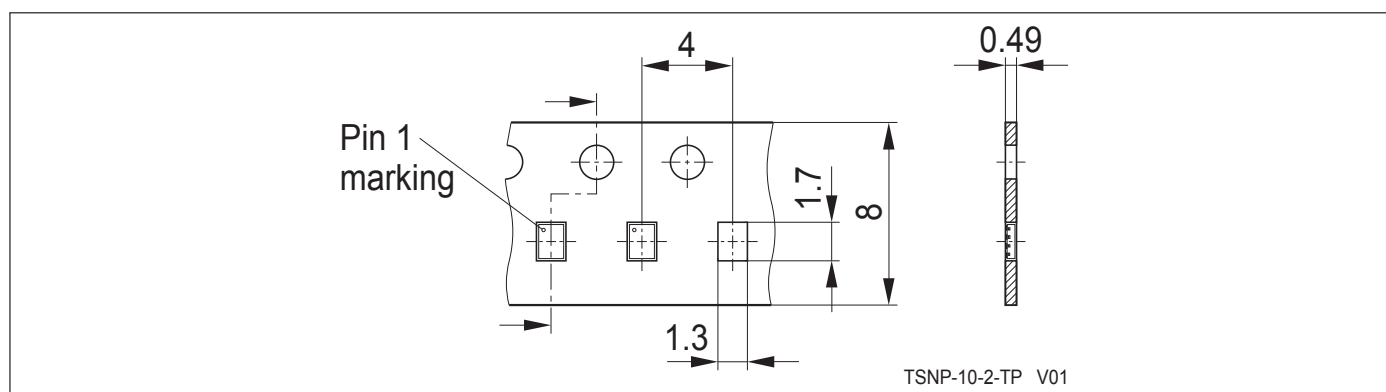


Figure 13: Carrier Tape (TSNP-10-2)

Revision History	
Creation of document Revision 3.1, 2020-07-08	
Page or Item	Subjects (major changes since previous revision)
5	Typo at max. control current high corrected

Trademarks

All referenced product or service names and trademarks are the property of their respective owners.

Edition 2020-07-08

Published by

Infineon Technologies AG

81726 Munich, Germany

© 2020 Infineon Technologies AG.

All Rights Reserved.

Do you have a question about any aspect of this document?

Email: erratum@infineon.com

Document reference

Doc_Number

IMPORTANT NOTICE

The information given in this document shall in no event be regarded as a guarantee of conditions or characteristics ("Beschaffungsgarantie"). With respect to any examples, hints or any typical values stated herein and/or any information regarding the application of the product, Infineon Technologies hereby disclaims any and all warranties and liabilities of any kind, including without limitation warranties of non-infringement of intellectual property rights of any third party. In addition, any information given in this document is subject to customer's compliance with its obligations stated in this document and any applicable legal requirements, norms and standards concerning customer's products and any use of the product of Infineon Technologies in customer's applications. The data contained in this document is exclusively intended for technically trained staff. It is the responsibility of customer's technical departments to evaluate the suitability of the product for the intended application and the completeness of the product information given in this document with respect to such application.

For further information on technology, delivery terms and conditions and prices, please contact the nearest Infineon Technologies Office (www.infineon.com).

WARNINGS

Due to technical requirements products may contain dangerous substances. For information on the types in question please contact your nearest Infineon Technologies office.

Except as otherwise explicitly approved by Infineon Technologies in a written document signed by authorized representatives of Infineon Technologies, Infineon Technologies products may not be used in any applications where a failure of the product or any consequences of the use thereof can reasonably be expected to result in personal injury.

Mouser Electronics

Authorized Distributor

Click to View Pricing, Inventory, Delivery & Lifecycle Information:

[Infineon:](#)

[BGSA14GN10E6327XTSA1](#)