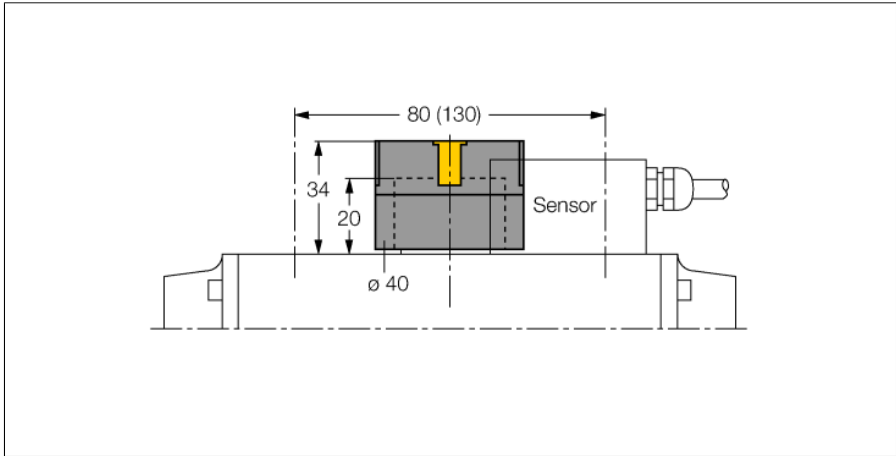


**Mounting accessories**  
**BTS-DSU35-EBE3**



- Actuation kit (puck)
- End position damped
- 6.2 mm stainless steel target to compensate larger tolerances (e.g. caused by rubber seals)
- End position (open/closed) freely adjustable 360°, in steps of 4°
- Displays rotatable by 90°
- Scale division
- Hole pattern on flange face 30 x 80 mm (30 x 130 mm); connection shaft (shaft peg) height 20 mm / max. Ø 30 mm
- Mounting screws for sensor and actuator included in delivery
- Slide ring, max. Ø 34 mm

<b>Type code</b>	BTS-DSU35-EBE3
Ident no.	6901070
<b>Design</b>	accessories for dual sensors, Ni4-DSU35...
Housing material	plastic, ABS
Tightening torque	1.5 Nm
<b>Included in scope of supply</b>	2x cylinder screw M5x12 (DIN 912-A2) 2x lock washers A5 (DIN 137A2) 1x countersunk screw M6x25 (DIN 7991-A2)

**General description**

Dual sensors are especially designed for position detection in rotary actuators. They combine the reliability of non-contact inductive sensors with the flexibility of a modular housing system. A broad range of practice-oriented accessories ensure optimal adaption to your system.

