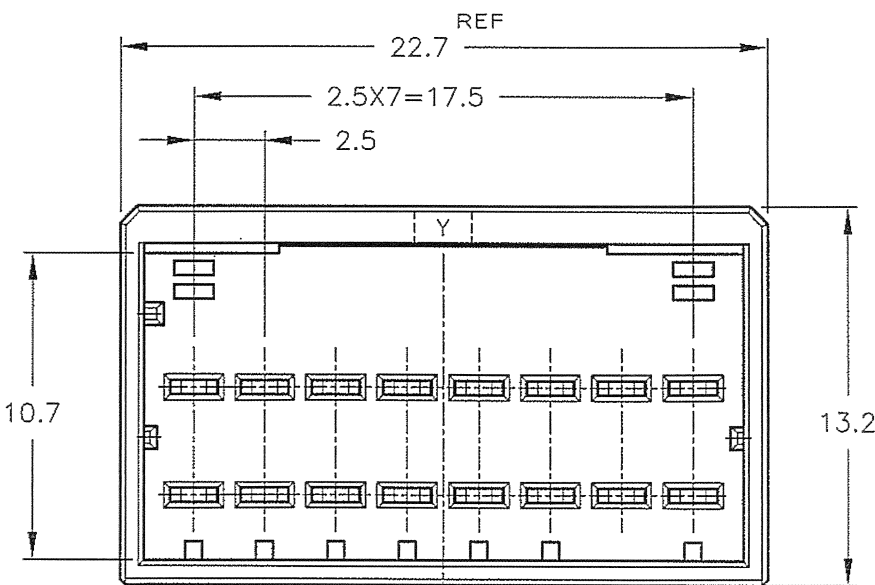
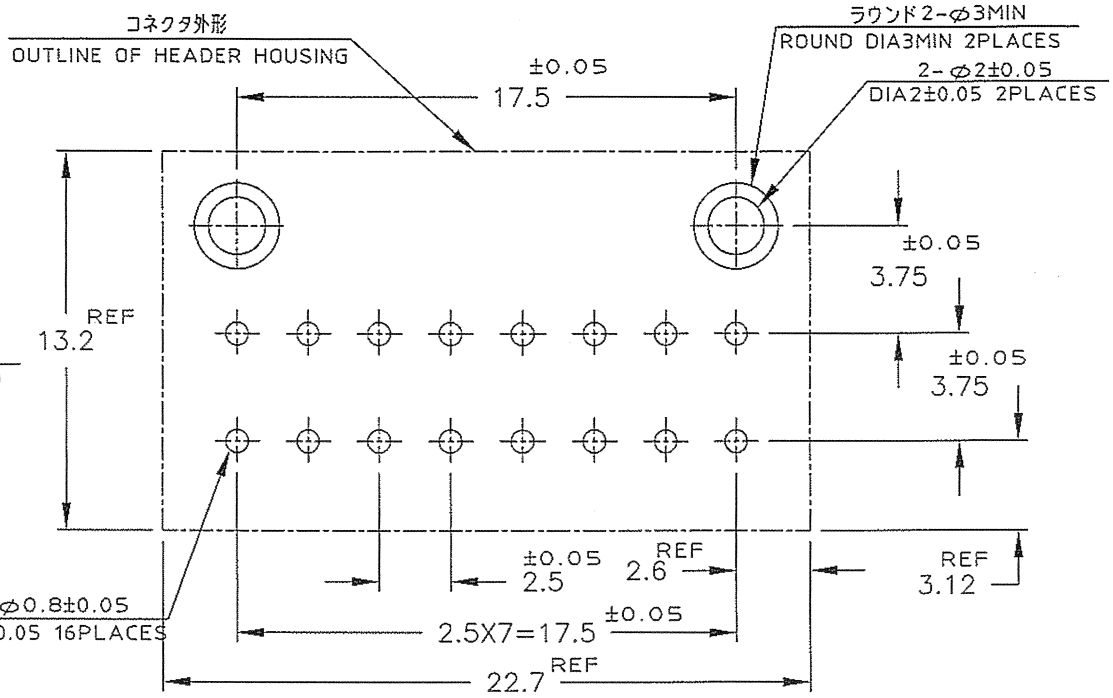
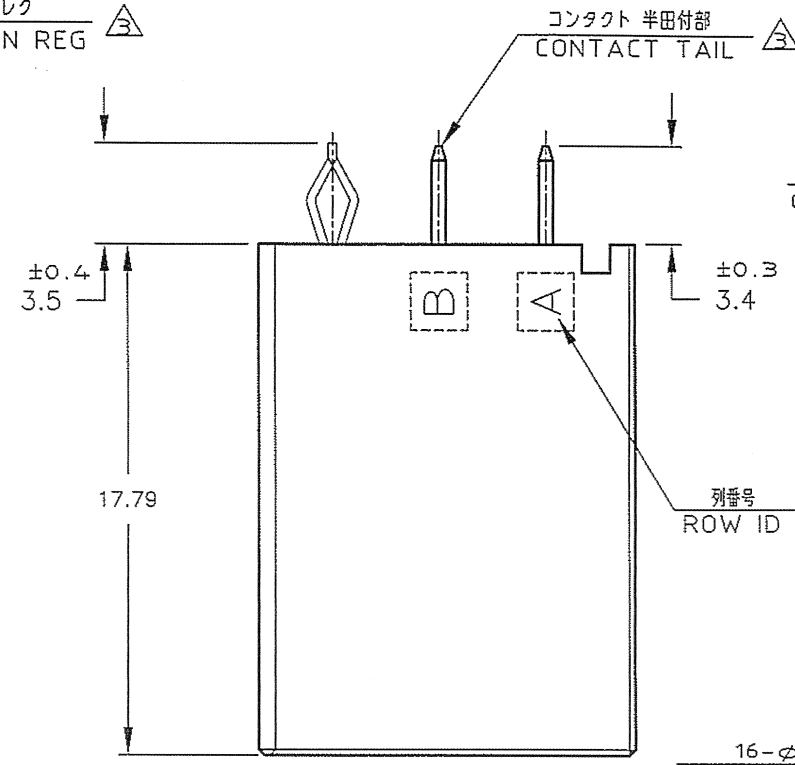
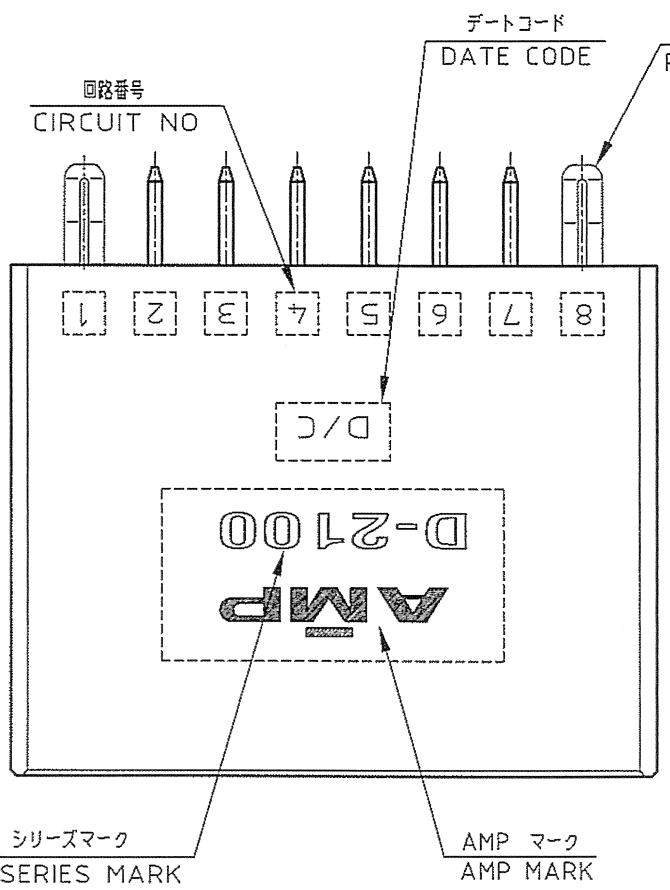


LOC		DIST		REVISIONS				
P	LTR	DESCRIPTION	ECN	DATE	DWN	APVD		
	O	RELEASED	FJD0-0414-04	11NOV 2004	T.S	D.M		
	O1	ADDITION PART NO	ECR-07-007149	28MAR 2007	M.M	D.M		
	A	REVISED(ADD NATURAL COLOR)	ECR-14-009682	27JUN 2014	Z.S	N.Y		

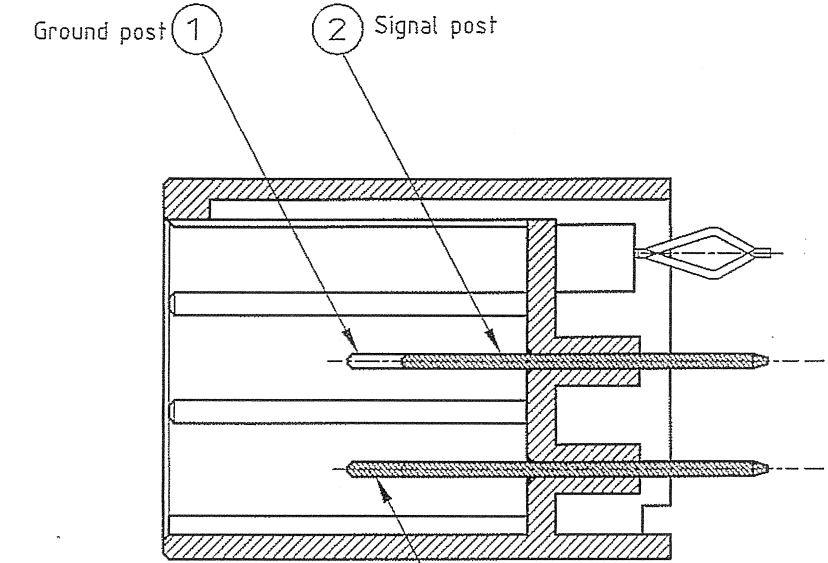
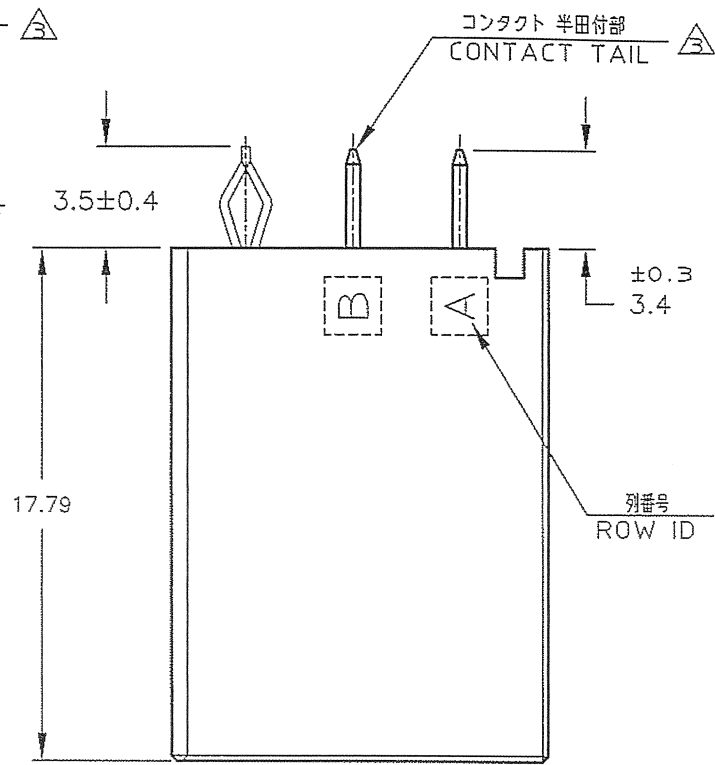
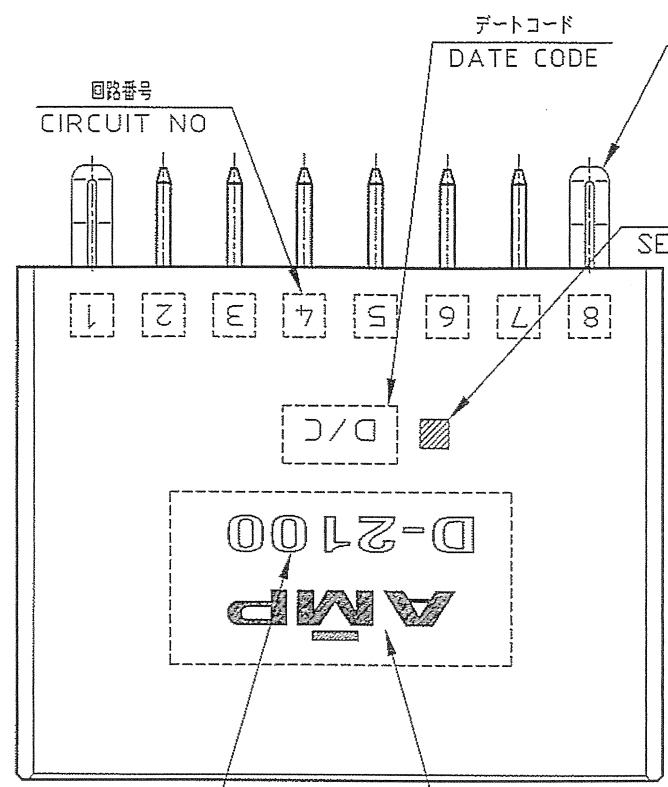


- NOTES
- MATERIAL:HOUSING:GLASS FILED THERMO PLASTIC ,POLYESTER(94V-0)  
 .COLOR: -1/-2 BLACK  
 -3 NATURAL  
 TAB CONTACT:COPPER ALLOY  
 RETENTION LEG:BRASS
  - FINISH(CONTACT AREA):0.38μmMIN GOLD PLATING OVER Ni PLATING
  - FINISH(RETENTION LEG): TIN PLATED (CONTACT TAIL) OVER NICKEL
  - APPEARANCE CRITERIA IS BASED ON TE CRITERIA.

- 注記
- 材料: ハウジング: ガラス入り熱可塑性  
 ポリエステル樹脂 (94V-0)  
 色: -1/-2 黒  
 -3 ナチュラル  
 タブコンタクト: 銅合金  
 リテンションレグ: 黄銅
  - めっき: コンタクト: 全面Ni下地  
 接合部: 0.38μm MIN金めっき
  - めっき: リテンションレグとコンタクト半田付部  
 : ニッケル下地の上にスズめっき
  - 外觀基準はTE基準に基づく

THIS DRAWING IS A CONTROLLED DOCUMENT FOR AMP INCORPORATED. IT IS SUBJECT TO CHANGE AND THE CONTROLLING ENGINEERING ORGANIZATION SHOULD BE CONTACTED FOR THE LATEST REVISION.		DOWN T.Sakamoto 11/NOV/'04		
DIMENSIONS: 単位 長 mm		CHK D.Mitsugi 11/NOV/'04		
TOLERANCES UNLESS OTHERWISE SPECIFIED		APVD D.Mitsugi 11/NOV/'04	NAME 2列 ヘッダーアセンブリー 16P (垂直タイプ) DOUBLE ROW HEADER ASS'Y 16P ("V"TYPE) <DYNAMIC D-2100D>	
		PRODUCT SPEC 108-5619	SIZE A3 CAGE CODE 00779 DRAWING NO C-1747994	
MATERIAL 注記参照 SEE NOTES		APPLICATION SPEC 114-5258	RESTRICTED TO	
FINISH 注記参照 SEE NOTES		WEIGHT	SCALE 4-1 SHEET 1 OF 2 REV A	
CUSTOMER DRAWING				

LOC		DIST		REVISIONS				
P	LTR	DESCRIPTION	ECN	DATE	DWN	APVD		
		SEE SHEET 1 OF 2						

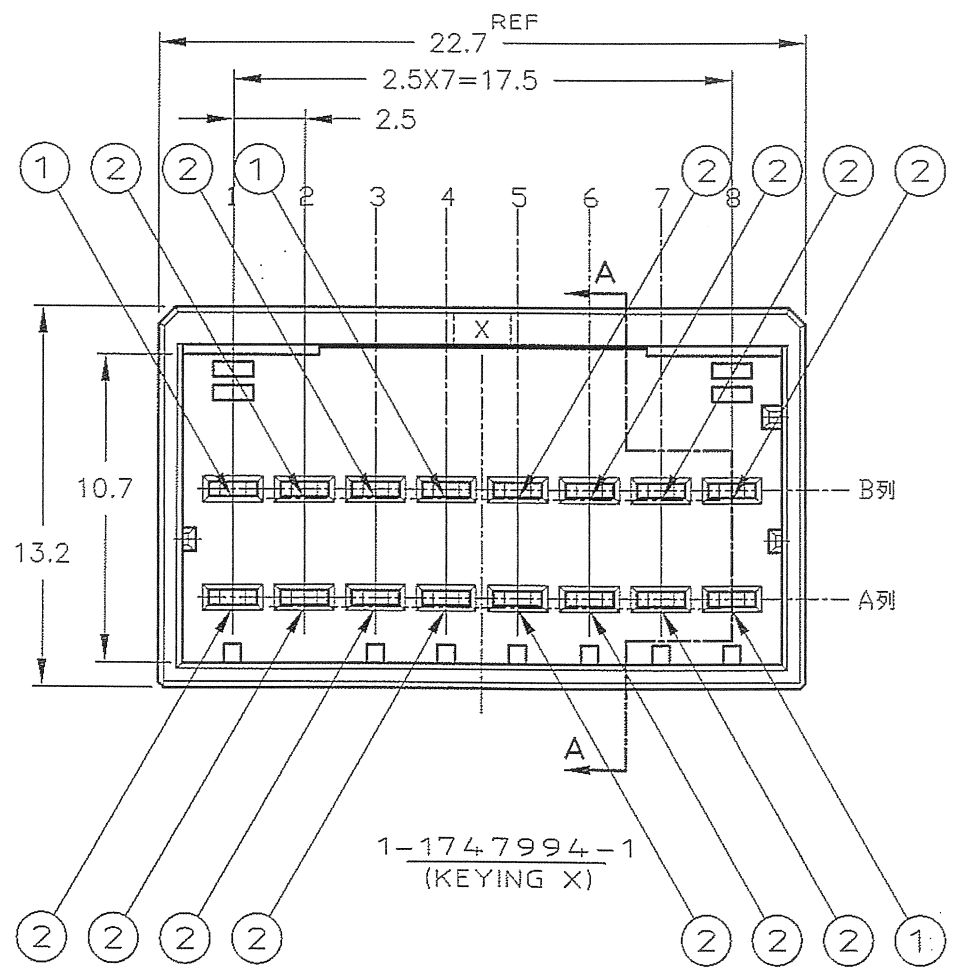


		回路番号							
		1	2	3	4	5	6	7	8
列番号	B	① Ground	② Signal	② Signal	① Ground	② Signal	② Signal	② Signal	② Signal
	A	② Signal	② Signal	② Signal	② Signal	② Signal	② Ground	② Signal	① Ground

POINT OF SEQUENTIAL  
 1-1747994-1

- NOTES
- MATERIAL: HOUSING: GLASS FILLED THERMO PLASTIC, POLYESTER(94V-0), COLOR: BLACK  
 TAB CONTACT: COPPER ALLOY  
 RETENTION LEG: BRASS
  - FINISH (CONTACT AREA): 0.38μm MIN GOLD PLATING OVER NI PLATING
  - FINISH (RETENTION LEG): TIN PLATED (CONTACT TAIL) OVER NICKEL

- 注記
- 材料: ハウジング: ガラス入り熱可塑性ポリエステル樹脂 (94V-0), 色: 黒  
 タブ コンタクト: 銅合金  
 リテンションレグ: 黄銅
  - めっき: コンタクト: 全面Ni下地  
 接触部: 0.38μm MIN金めっき
  - めっき: リテンションレグとコンタクト半田付部  
 : ニッケル下地の上にスズめっき



THIS DRAWING IS A CONTROLLED DOCUMENT FOR AMP INCORPORATED. IT IS SUBJECT TO CHANGE AND THE CONTROLLING ENGINEERING ORGANIZATION SHOULD BE CONTACTED FOR THE LATEST REVISION.		DWN T. Sakamoto 11/NOV/04											
DIMENSIONS: 単位 柱 mm		CHK D. Mitsugi 11/NOV/04											
TOLERANCES UNLESS OTHERWISE SPECIFIED		APVD D. Mitsugi 11/NOV/04	NAME 2列 ヘッダーアセンブリー 16P										
<table border="1"> <tr> <td>一般公差</td> <td>102</td> <td>±0.3</td> </tr> <tr> <td></td> <td>302</td> <td>&gt;10 : ±0.35</td> </tr> <tr> <td></td> <td>1002</td> <td>&gt;30 : ±0.4</td> </tr> </table>		一般公差	102	±0.3		302	>10 : ±0.35		1002	>30 : ±0.4	PRODUCT SPEC 108-5619		DOUBLE ROW HEADER ASS'Y 16P ("V" TYPE) <DYNAMIC D-2100D>
一般公差	102	±0.3											
	302	>10 : ±0.35											
	1002	>30 : ±0.4											
MATERIAL 注記参照 SEE NOTES		APPLICATION SPEC 114-5258											
FINISH 注記参照 SEE NOTES		WEIGHT		SIZE A3									
CUSTOMER DRAWING		DRAWING NO C-1747994		RESTRICTED TO -									
		SCALE 4-1		SHEET 2 OF 2									
				REV A									

# Mouser Electronics

Authorized Distributor

Click to View Pricing, Inventory, Delivery & Lifecycle Information:

[TE Connectivity:](#)

[1747994-1](#)