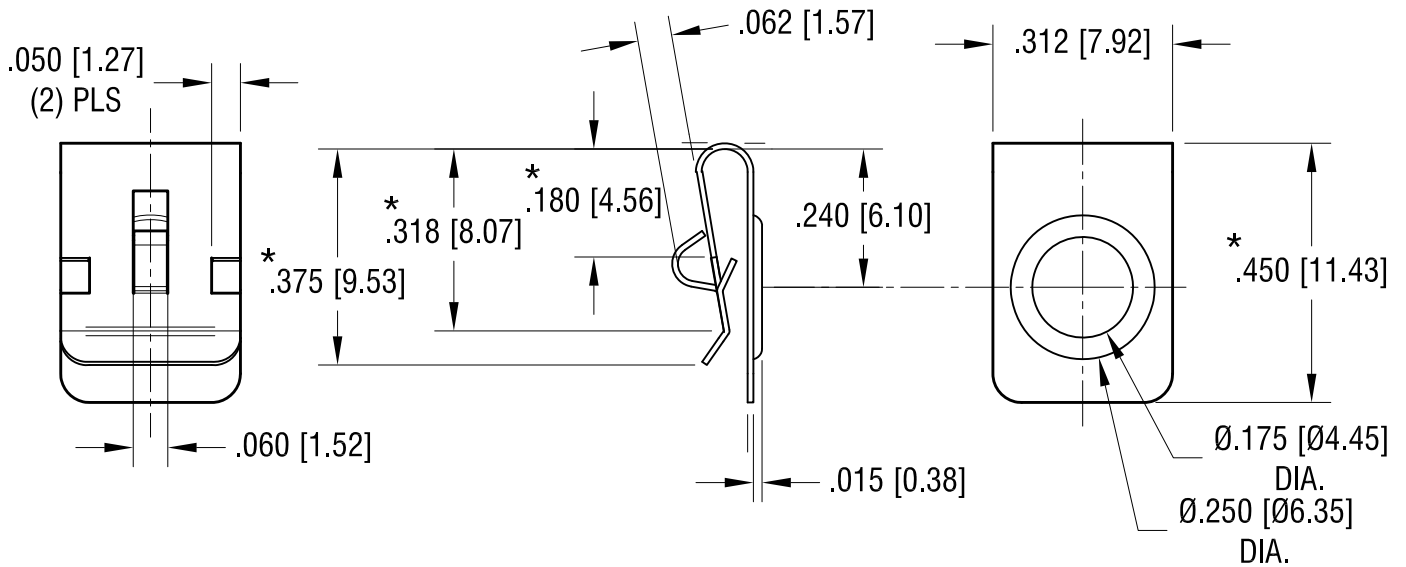
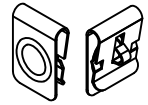


ACTUAL SIZE



NOTE:

1. DESIGNED TO CLIP OVER PANEL
FROM .060 [1.52] THRU .070 [1.78] TH'K
2. * DENOTES $\pm .015$ [± 0.38] TOLERANCE

12.21.16	CHANGE AS PER ECR 16-090	L
4.14.16	CHANGE AS PER ECN 16-046	K
3.19.13	CHANGE AS PER ECN 13-028	H
8.14.12	ECN 12-104, CHANGE LOOP	G
3.23.07	CHANGE AS PER ECN 07-015	F
DATE	DESCRIPTION	REV.

KEYSTONE ELECTRONICS CORP.			
www.keyelco.com • ASTORIA, N.Y. 11105-2017 • Tel (718) 956-8900			
PART NAME		SINGLE 'A'-AA CONTACT	
MATERIAL		.010 [0.25] TH'K STAINLESS STEEL	
FINISH		DRN BY	DATE
NICKEL PLATE		BOONE	2.3.98
		APP'D	SCALE
		LN	3X
TOLERANCES	INCH [MM]	CODE	DWG NO.
DECIMAL	$\pm .010$ [± 0.25]	C	228
ANGULAR	$\pm 1^\circ$		
UNLESS OTHERWISE SPECIFIED			

Mouser Electronics

Authorized Distributor

Click to View Pricing, Inventory, Delivery & Lifecycle Information:

[Keystone Electronics:](#)

[228](#)