

DO NOT SCALE

DIMENSIONS IN mm

METRIC

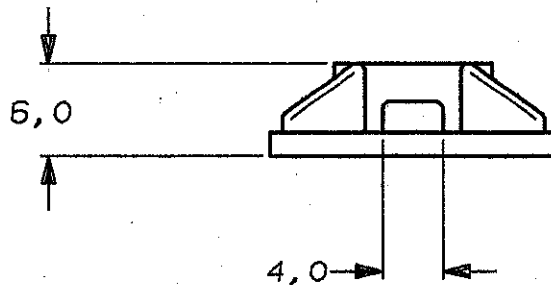
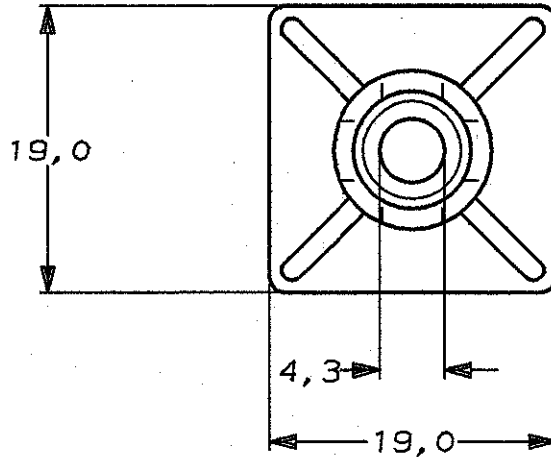
THIRD ANGLE

PROJECTION



NOTES:

- 1 MAX. CABLE TIE WIDTH 3,6.
- 2 TENSILE STRENGTH 210 kPa
- 3 APPL. TEMP. RANGE +5 - +50°C.



FINISH		MATERIAL			PARTNUMBER	QTY
BLACK		POLYAMIDE 6/6			2-100733-2	100
NATURAL		POLYAMIDE 6/6			2-100733-1	100
-		-			CUSTOMER DRAWING FOR REFERENCE ONLY WILL NOT BE UPDATED	
-		-			© COPYRIGHT 19- BY AMP HOLLAND B.V. ALL INTERNATIONAL RIGHTS RESERVED. AMP PRODUCTS MAY BE COVERED BY U.S. AND FOREIGN AND/OR PATENTS PENDING.	
-		-			THIS DRAWING IS UNPUBLISHED RELEASED FOR PUBLICATION _____, 19____	
-		-			AMP AMP HOLLAND B.V. s-Hertogenbosch, The Netherlands.	
-		-			NAME MOUNTING BASE.	
0	H-9856	R.D.	RV	14-08-92		
LTR.	REVISION RECORD	DR.	CHK.	DATE		
DR.:	R. DAAMEN	CHK.:	R. VOS.	APP.:	L.V. SOEST.	DWG. No.
DATE:	14-08-92	DATE:	-	DATE:	-	C-100733
				REV. LTR.	SHEET	
				0	1 OF 1	A4

Mouser Electronics

Authorized Distributor

Click to View Pricing, Inventory, Delivery & Lifecycle Information:

[TE Connectivity:](#)

[2-100733-1](#)