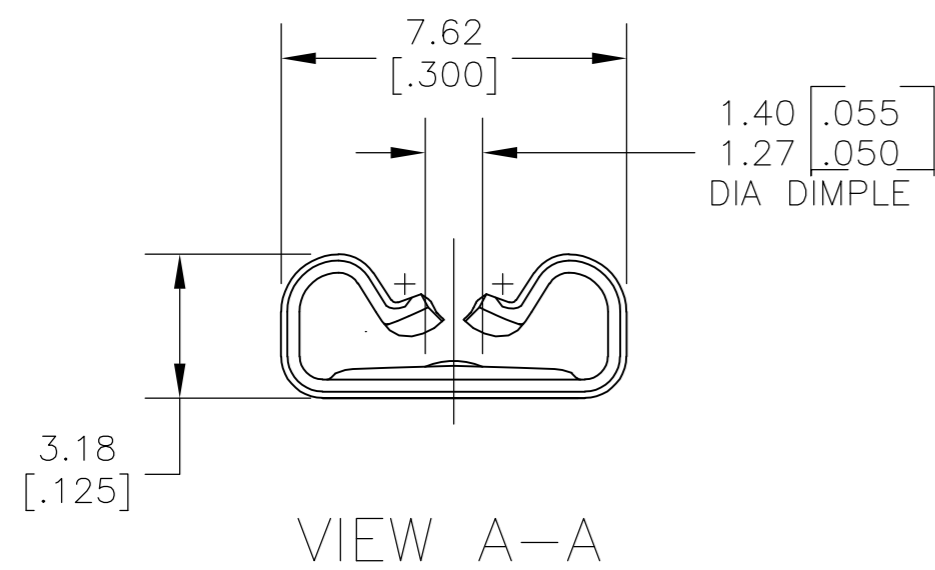
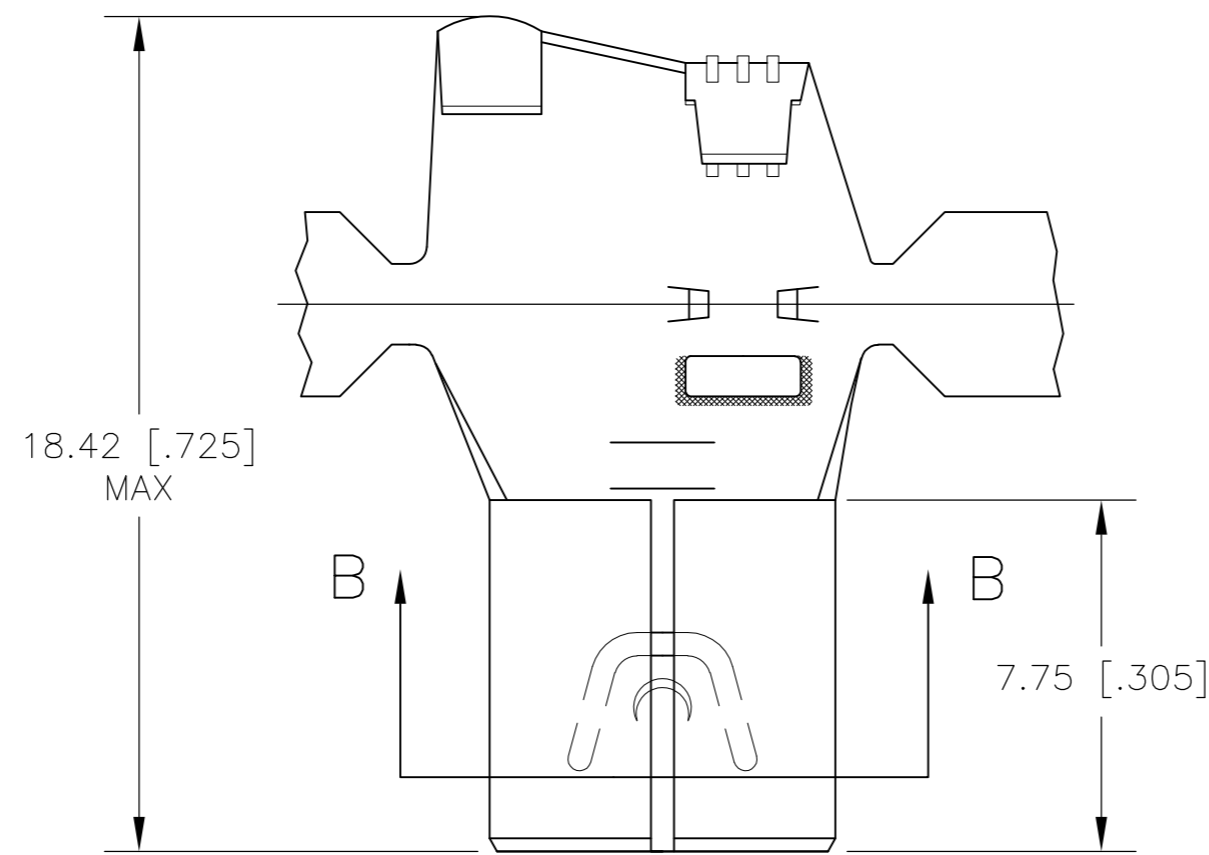


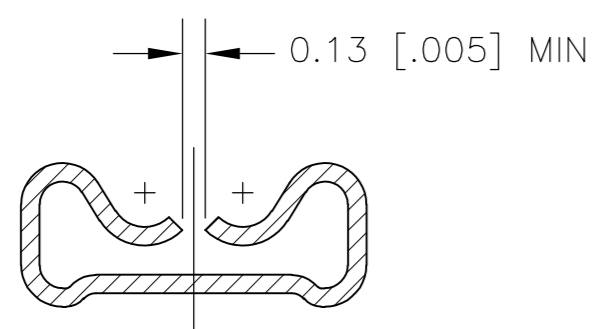
THIS DRAWING IS UNPUBLISHED. RELEASED FOR PUBLICATION
 © COPYRIGHT - By - ALL RIGHTS RESERVED.

LOC	DIST	REVISIONS			
P	LTR	DESCRIPTION	DATE	DWN	APVD
AF	50	A2	REL PER ECO-13-009003	29MAY13	JR PD

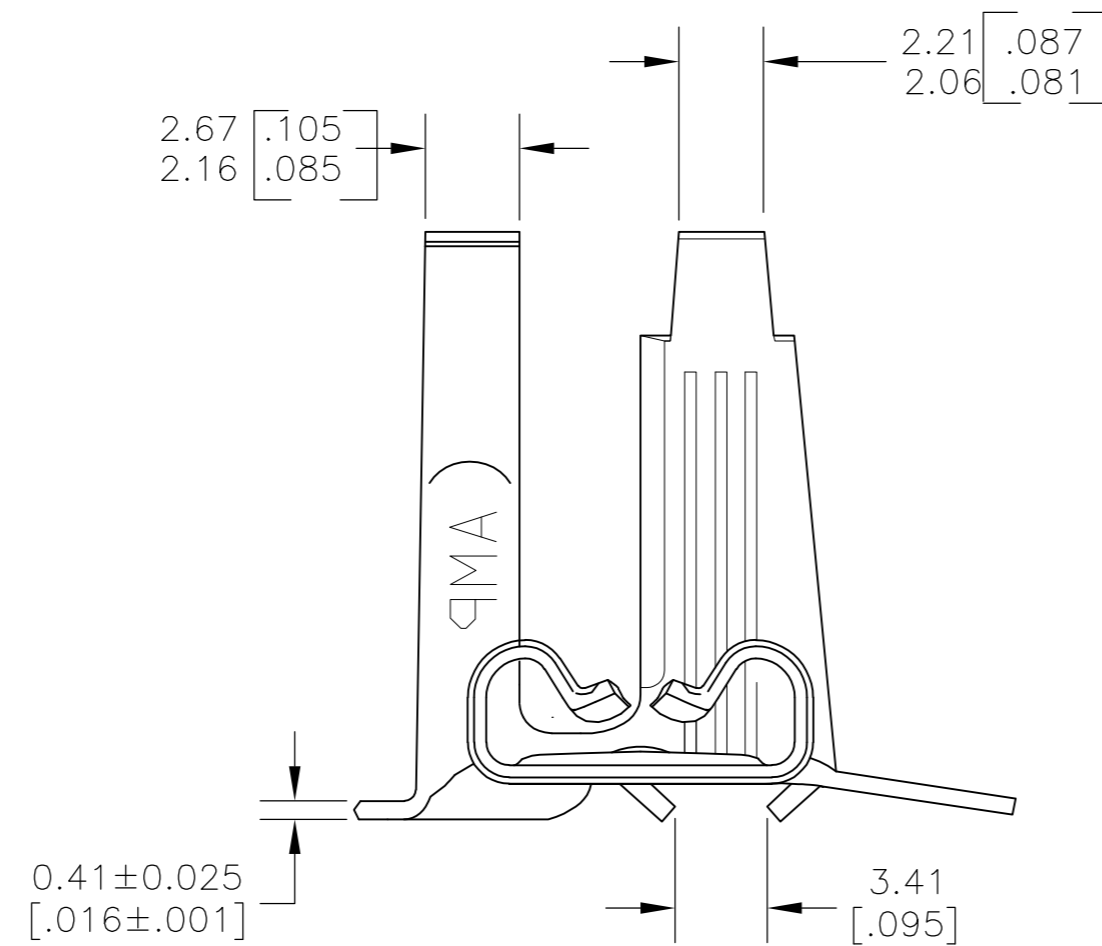
- CONTINUOUS STRIP ON REELS
- ACCEPTS WIRE SIZE COMBINATIONS OF TWO #14'S, OR TWO #16'S OR ONE #14 WITH ONE #16.
- INSULATION RANGE IS TWO AT 3.56 [.140] MAX DIA
- MATING TAB THK IS 0.81±0.025 [.032±.001]
- 0.00381 [.000150] MIN NICKEL PLATE



VIEW A-A



SECTION B-B



1742626-1
 PART NO

THIS DRAWING IS A CONTROLLED DOCUMENT.		DWN	jr ruth	24JUL07		TE Connectivity				
DIMENSIONS: MM [INCHES]		CHK	P DESANTIS	24JUL07		NAME				
TOLERANCES UNLESS OTHERWISE SPECIFIED:		APVD	P DESANTIS	24JUL07		RECEPTACLE, FASTON, FLAG, 6.35 [.250] SERIES				
0 PLC ± - 1 PLC ± - 2 PLC ± 0.25 [.010] 3 PLC ± - 4 PLC ± - ANGLES ± 5°		PRODUCT SPEC	APPLICATION SPEC			SIZE	CAGE CODE	DRAWING NO	RESTRICTED TO	
MATERIAL CR STEEL		FINISH	-- 5		WEIGHT	A2 00779 C=1742626		SCALE	SHEET	REV
CUSTOMER DRAWING					SCALE	6:1	SHEET	1 of 1	REV	A2

Mouser Electronics

Authorized Distributor

Click to View Pricing, Inventory, Delivery & Lifecycle Information:

[TE Connectivity:](#)

[1742626-1](#)