

This document is the property of Amphenol Corporation and is delivered on the express condition that is not to be disclosed, reproduced or used, in whole or in part, for manufacture or sale by anyone other than Amphenol Corporation without its prior consent, and that no right is granted to disclose or to use any information in this document.

The marking on this product doesn't contain environmental hazardous material and must follow one or more specifications per Material Specification SS-00259 for Sony GP compliant or per directive 2011/65/EC for RoHS compliant or per IEC 61249-2-21 for Halogen Free compliant.

REVISIONS				
SYM	ECN No.	DESCRIPTION	DATE	BY
AX1		UNAPPROVAL REVISION	01/22/2014	Sondra Sang

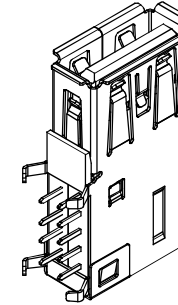
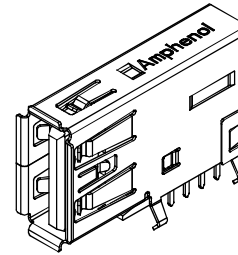
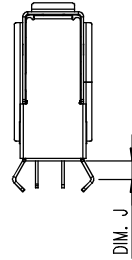
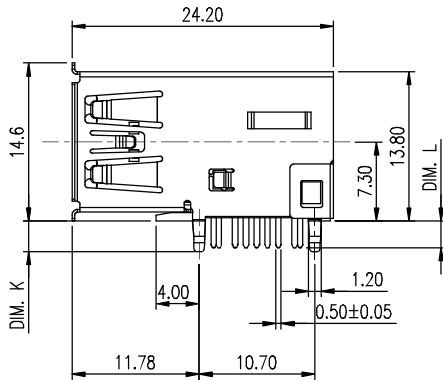
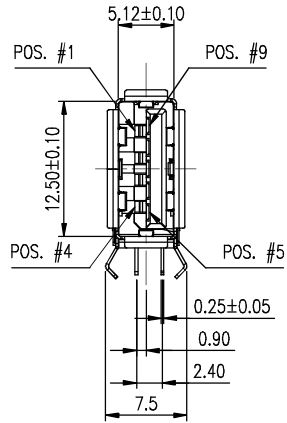
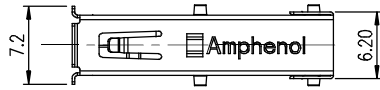
FOR REFERENCE ONLY

PART NUMBER:
GSB4 116 3 4 X HR

CONTACT FINISH
3: 30μ" GOLD

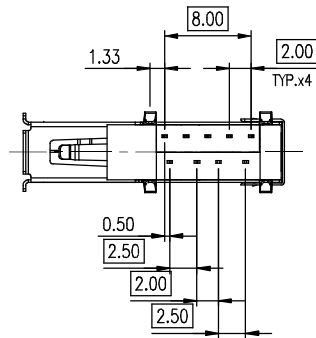
PLASTIC MATERIAL
4: NYLON, BLUE

SOLDER TAIL LENGTH
1. DIM. L=1.90 mm
2. DIM. L=2.40 mm
3. DIM. L=2.80 mm
4. DIM. L=3.30 mm

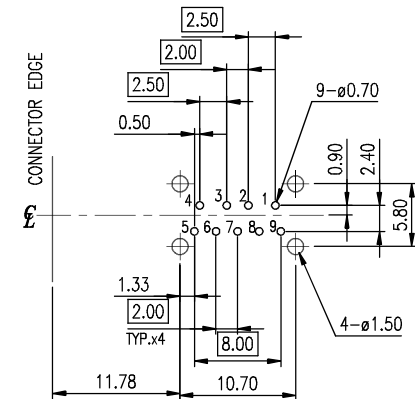


PIN #	SIGNAL NAME
1	VBUS
2	D-
3	D+
4	GND
5	SSRX-
6	SSRX+
7	GND_DRAIN
8	SSTX-
9	SSTX+
SHELL	SHIELD

PIN ASSIGNMENT



DIM. J	DIM. K	DIM. L	PCB THICKNESS	PROCESS
1.7 mm	2.8 mm	2.40mm	1.6mm	WAVE SOLDERING
1.7 mm	2.8 mm	1.90mm	1.6mm	PIP
2.6 mm	3.8 mm	3.30mm	2.5mm	WAVE SOLDERING
2.6 mm	3.8 mm	2.80mm	2.5mm	PIP



RECOMMENDED PCB LAYOUT- TOP VIEW
(OTHER GENERAL TOLERANCES: ±0.05)

NOTES:

- HOUSING: HIGH TEMPERATURE THERMOPLASTIC, UL 94V-0, COLOR- BLUE
- CONTACT: COPPER ALLOY, 0.25mm THICKNESS, 30μ" MIN. GOLD PLATED ON CONTACT AREA, 120μ" MIN. MATTE TIN PLATED ON SOLDERING TAIL, 80μ" MIN. NICKEL UNDER-PLATED OVERALL
- METAL SHELL: STAINLESS STEEL, 0.25mm THICKNESS, 30μ" MIN. NICKEL UNDER-PLATED OVERALL
- REAR SHELL: STAINLESS STEEL, 0.25mm THICKNESS
- THIS PRODUCT DOESN'T CONTAIN ENVIRONMENTAL HAZARDOUS MATERIALS PER DIRECTIVE 2011/65/EC FOR RoHS AND PER IEC 61249-2-21 FOR HALOGEN FREE COMPLIANT.



TOLERANCE	APPROVALS	DATE	TITLE		PART No.	
X. ±0.30	DRAWN Sondra Sang	01/22/2014	USB 3.1 CONNECTOR STANDARD A, UPRIGHT DIP TYPE		Amphenol® Amphenol Corporation Amphenol Taiwan Corporation	
X.X ±0.20						
X.XX ±0.20	CHECKED Chenny Yeh	01/22/2014			PART No. GSB4 116 34X HR	
X.XXX ±0.10	APPROVED Hank Hsu	01/22/2014			DVG No. GSB4116XXXHR	
ANGULAR ±1°	DWG TYPE CUST DWG	PROJECT CODE 1536	UNIT mm	SCALE NA	SIZE A3	SHEET 1 OF 1
UNLESS OTHERWISE SPECIFIED					REV. AX1	

Mouser Electronics

Authorized Distributor

Click to View Pricing, Inventory, Delivery & Lifecycle Information:

[Amphenol:](#)

[GSB4116341HR](#)