

| PIN NUMBER | DIM. L |
|----------------|--------|
| 25,26 | 3.50 |
| ALL OTHER PINS | 4.25 |
| 1, 13, 38, 50 | 5.00 |

NOTES :

- MATERIAL :
 INSULATOR : HIGH TEMPERATURE THERMOPLASTIC
 FLAMMABILITY RATING: UL94V-0
 COLOR: IVORY
 CONTACT : COPPER ALLOY
 GROUND MOUNTING EAR: COPPER ALLOY
- PLATING :
 CONTACT AREA: SELECTIVE GOLD (SEE P/N DESCRIPTION)
 UNDER PLATING: 50u" NICKEL OVERALL
 SOLDER TAIL AREA: 100u" TIN/LEAD DR 100u" MATTE TIN
 GROUND MOUNT EAR AREA: 100u" TIN/LEAD DR 100u" MATTE TIN
- SOLDERTAILS TO BE WITHIN 0.05 UPWARD
 AND 0.2 DOWNWARD FROM Z-DATUM PLACE,
 AND COPLANARITY OF SOLDER TAILS TO BE
 WITHIN 0.10mm.
- PRODUCT SPEC: GS-12-240.
- PACKAGING SPEC: GS-14-980.

Tous droits strictement reserves. Reproduction ou communication a des tiers interdite sous quelque forme que ce soit sans autorisation ecrite du propriétaire. Propriete de c FCI. Droits de reproduction FCI.

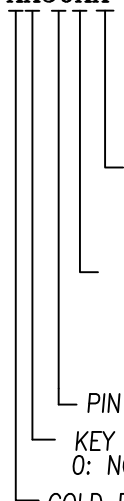


All rights strictly reserved. Reproduction or issue to third parties in any form whatever is not permitted without written authority from the proprietor. Property of FCI. Copyright FCI.

| | | | | | | | | | | | |
|-------------|----------------|-------|----------|---------------------------------------|--------------|----------|------------|---------------|--------------------------|---------------------------|--|
| mat'l. code | | | | tolerances unless otherwise specified | | | | CUSTOMER COPY | | FCI www.fciconnect.com | |
| ltr | ecn no | dr | date | linear | .X ± 0.30 | | projection | | title | | |
| A | T04-0429 | A.C | 12/16/04 | | .XX ± 0.20 | | ⊕ | | CF HEADER TYPE II NORMAL | | |
| B | T05-0256 | A.C | 11/09/05 | | .XXX ± 0.10 | | | | S/O=0.0MM | | |
| C | T06-0172 | A.C | 10/09/06 | angles | 0° ±2° | | MM | | product family CF | | |
| D | T09-1097 | S.LIN | 07/09/09 | dr | ALLEN CHANG | 12/16/04 | ← MM → | | code | | |
| E | T09-1113 | S.LIN | 09/03/09 | enr | ALLEN CHANG | 12/16/04 | scale | | size dwg no | | |
| F | T09-1144 | S.LIN | 11/27/09 | chr | STERLING LIN | 12/16/04 | NA | | A4 | | |
| | | | | appd | H.C LIU | 12/16/04 | | | 10044078 | | |
| sheet index | revision sheet | F 1 | F 2 | | | | | | | | |

6.Part Number Description:

P/N: 10044078-XX50XX



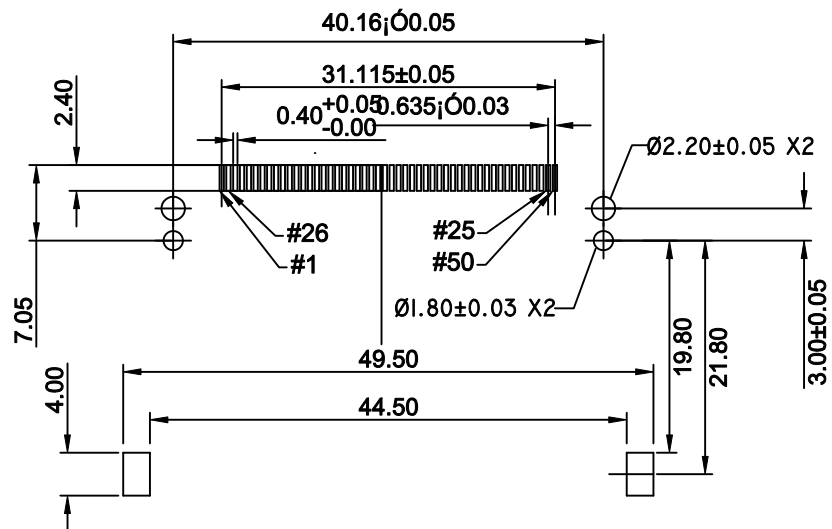
PLATING ON SOLDER TAIL AREA:
 BLANK: 100u" TIN/LEAD.
 LF: 100u" MATTE TIN.

BLANK: WITHOUT CAP+TRAY PACKING
 2: WITH CAP+TRAY PACKING
 3: WITH CAP+T&R PACKING

PIN COUNT.

KEY TYPE:
 0: NORMAL TYPE

GOLD PLATING:
 B: 10u" GOLD PLATE
 E: 30u" GOLD PLATE



General Tolerance +/-0.05mm
Recommended PCB Pattern

- 7. THE HOUSING WILL WITHSTAND EXPOSURE TO 260°C PEAK TEMPERATURE FOR 10 SECONDS IN A CONVECTION, IR OR VAPER PHASE REFLOW OVEN.
- 8. THIS PRODUCT (10053867-XXXXLX) MEETS THE EUROPEAN UNION DIRECTIVE AS DESCRIBED IN GS-22-008.

Tous droits strictement reserves. Reproduction ou communication a des tiers interdite sous quelque forme que ce soit sans autorisation ecrite du proprietaire. Propriete de c FCI. Droits de reproduction FCI.



All rights strictly reserved. Reproduction or issue to third parties in any form whatever is not permitted without written authority from the proprietor. Property of FCI. Copyright FCI.

| | | | | | | | | | | |
|-------------|----------------|----|------|---------------------------------------|--------------|----------|---------------|--|---------------------------|--|
| mat'l. code | | | | tolerances unless otherwise specified | | | CUSTOMER COPY | | FCI www.fciconnect.com | |
| ltr | ecn no | dr | date | linear | .X ± 0.30 | | projection | title CF HEADER TYPE II NORMAL S/O=0.0MM | | |
| F | - | - | - | | .XX ± 0.20 | | | | | |
| | | | | | .XXX ± 0.10 | | | | | |
| | | | | angles | 0° ± 2° | | MM | product family CF size dwg no | | |
| | | | | dr | ALLEN CHANG | 12/16/04 | | | | |
| | | | | enr | ALLEN CHANG | 12/16/04 | | | | |
| | | | | chr | STERLING LIN | 12/16/04 | scale | A4 10044078 | | |
| | | | | appd | H.C LIOU | 12/16/04 | | | | |
| sheet index | revision sheet | | | | | | | | | |

Mouser Electronics

Authorized Distributor

Click to View Pricing, Inventory, Delivery & Lifecycle Information:

[FCI / Amphenol:](#)

[10044078-B050LF](#) [10044078-E050LF](#) [10044078-E0503LF](#) [10044078-E0502LF](#)