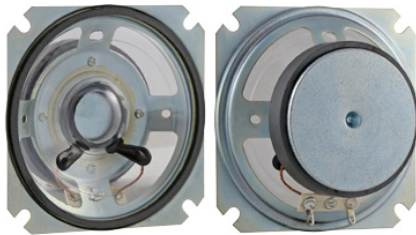


8 Ohm Speakers

multicomp PRO

**RoHS
Compliant**

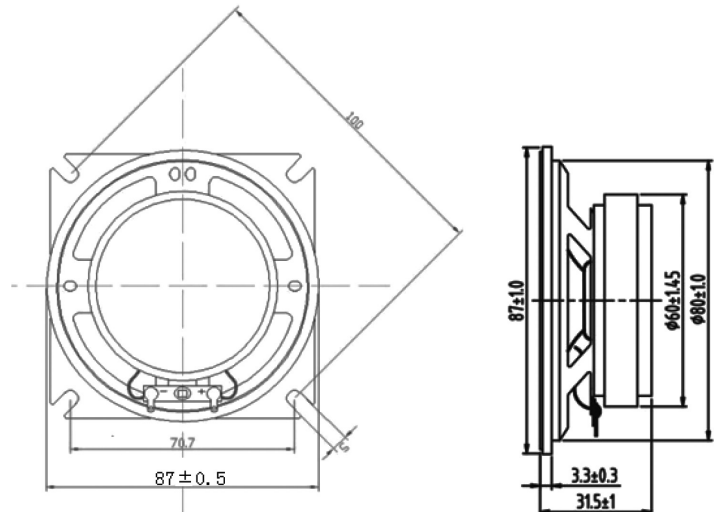
Specifications



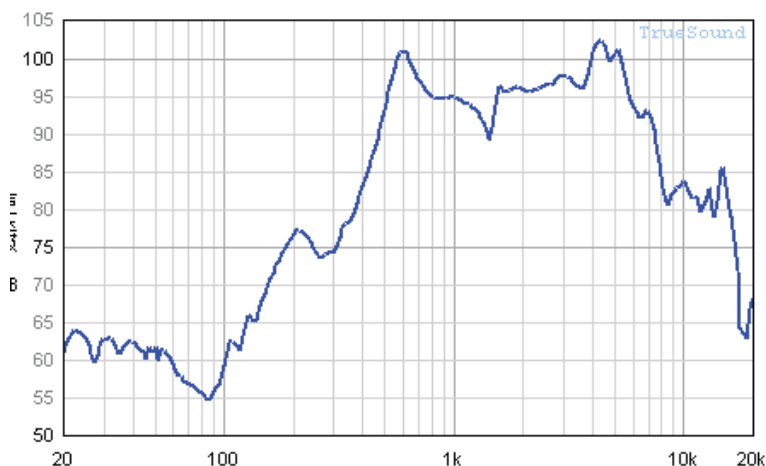
Rated impedance at 1kHz/1V	: $8\Omega \pm 15\%$
Rated input power	: 12W
Maximum input power	: 15W
Resonant Frequency (f0) / 1V	: 550Hz $\pm 20\%$ Hz
Frequency Range	: 0Hz-10kHz
SPL at 1kHz/1W/1m baffleboard (IEC)	: 87 ± 3 dB
Total harmonic distortion at 1kHz/1W	: 5%Max
Voice coil diameter	: 13.28mm
Magnet (Nd-Fe-B)	: 60mm \times 10mm
Operating Temperature	: -20°C to +60°C
Storage Temperature	: -25°C to +70°C
Weight	: 270g $\pm 10\%$

Material

Frame & Yoke - SPCC
 PCB terminal - Paper Cu
 Diaphragm & Cap - PET
 Gasket - Paper
 Voice coil - Cu
 Magnet - NdFeB



Dimensions : Millimetres



Polarity - When a positive DC Current is applied to the voice coil terminal marked + or red, the diaphragm shall move forward

Buzz, rattle - Must be free of audible noise (buzzes and rattles) at 9.79V sine wave between F0-2,000Hz.

Newark.com/multicomp-pro
 Farnell.com/multicomp-pro
 Element14.com/multicomp-pro

multicomp PRO

8 Ohm Speakers

Item	Specifications
High temp. Test	Keep 96 hours at +70°C ±3°C and leave 3 hours in normal temperature and then check
Low temp. Test	Keep 96 hours at -25°C ±3°C and leave 3 hours in normal temperature and then check
Humidity test	Keep 96 hours at +40°C ±3°C relative humidity 90 ±5% and leave 3 hours in normal temperature and then checked.
Thermal cycle test.	Low temperature: -27°C ±3°C , temperature: +70°C ±3°C, cycle: 1 hour/ cycle each, and then keep 5 cycles in a room.
Vibration	Speaker shall be measured after being applied vibration of amplitude of 1.52mm with 10 to 55Hz band of vibration frequency to each of X, Y, Z 3 direction for 2 hours
Drop test	Drop the speakers contained in normal box onto the board 40mm thick 10 times from the height of 75cm
Load test	Rated Power white noise is applied for 96 hours
Terminal strength test	Capable of withstand 1N load for 30 seconds without resulting in any damage or rejection.

Test Condition

STANDARD

Temperature : 15°C to 35°C
 Relative humidity : 45% to 85%,
 Atmospheric pressure : 860mbar to 1060mbar.

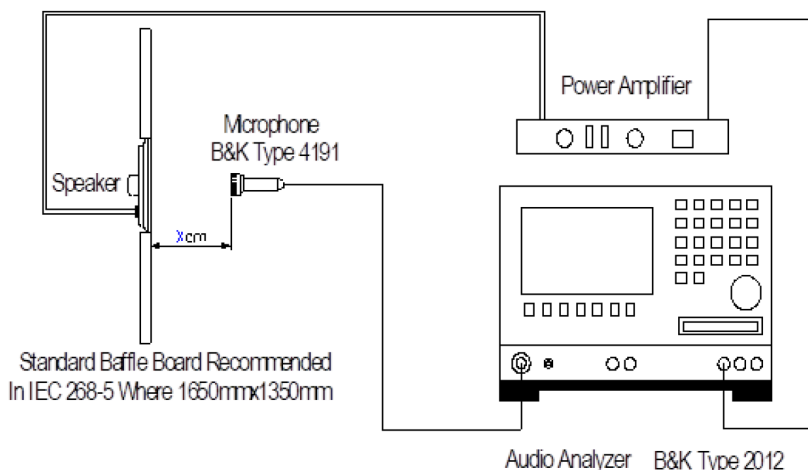
JUDGEMENT

Temperature : 20 ±3°C
 Relative humidity : 60% to 70%,
 Atmospheric pressure : 860mbar to 1060mbar

Standard Test Fixture

Input Power : 1W
 Zero Level : -dB
 Mode : TSR
 Potentiometer Range: 50dB
 Sweep Time : 0.5sec

Standard test condition of speaker



X = 100cm

Part Number Table

Description	Part Number
Speaker, Mylar Cone, 8ohm, 12W, 87mm × 87mm	MP004285

Important Notice : This data sheet and its contents (the "Information") belong to the members of the AVNET group of companies (the "Group") or are licensed to it. No licence is granted for the use of it other than for information purposes in connection with the products to which it relates. No licence of any intellectual property rights is granted. The Information is subject to change without notice and replaces all data sheets previously supplied. The Information supplied is believed to be accurate but the Group assumes no responsibility for its accuracy or completeness, any error in or omission from it or for any use made of it. Users of this data sheet should check for themselves the Information and the suitability of the products for their purpose and not make any assumptions based on information included or omitted. Liability for loss or damage resulting from any reliance on the Information or use of it (including liability resulting from negligence or where the Group was aware of the possibility of such loss or damage arising) is excluded. This will not operate to limit or restrict the Group's liability for death or personal injury resulting from its negligence. Multicomp Pro is the registered trademark of Premier Farnell Limited 2019.