

PRODUCT NUMBER

SEE BELOW AND TABLE ON SHEET 2

74977 - X YY ZZZ LF

BASE NUMBER

LEAD FREE (OPTIONAL)

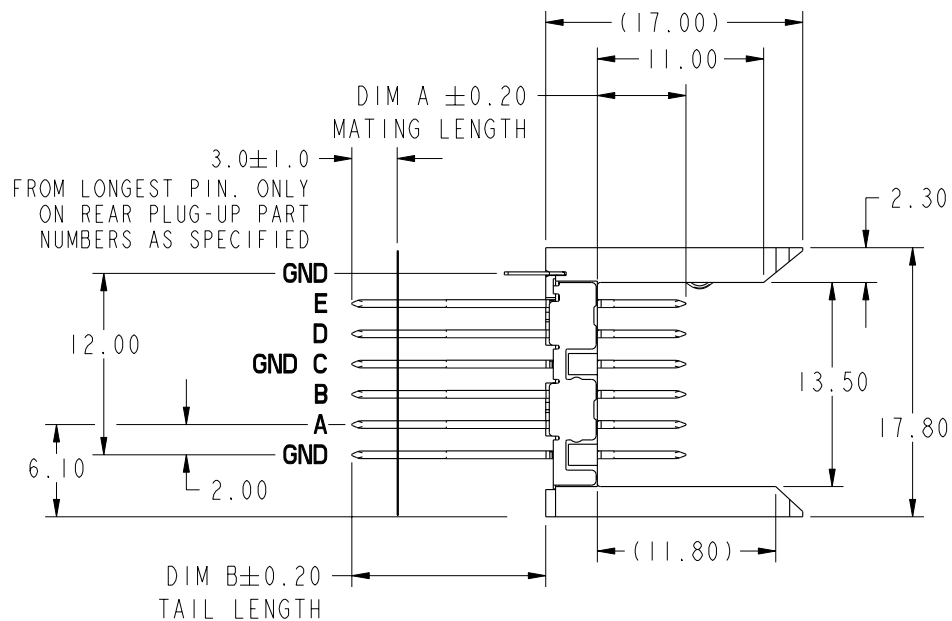
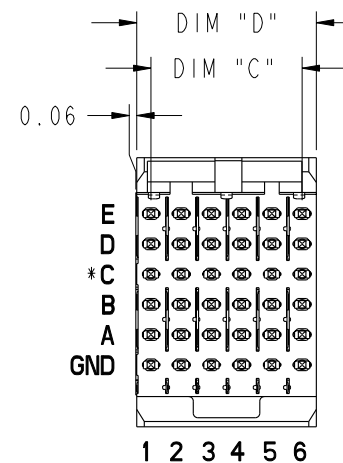
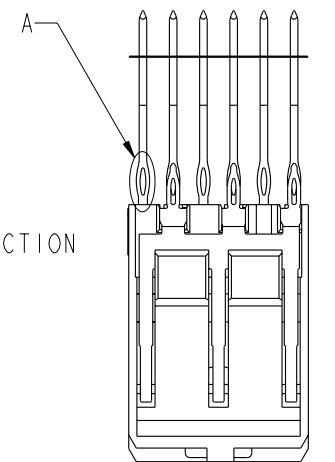
SPECIAL LOAD PATTERN
SEE SHEETS 6-7

SIZE, SEE SHEET 2

PLATING PERFORMANCE
LEVEL, SEE SHEET 2



DETAIL A
SCALE 4:1
SEE NOTE 16



This document is the property of and embodies
CONFIDENTIAL and PROPRIETARY information of FCI.
No part of the information shown on this
document may be used in any way or disclosed
to others without the written consent of FCI.
Copyright FCI.

*ROW C INFORMATION

ODD NUMBER COLUMNS WITHIN ROW C ARE COMMONED
TO GROUND INTERNALLY WITHIN THE HOUSING. THE
EVEN NUMBER COLUMNS WITHIN ROW C ARE NOT.
FOR MAXIMUM PERFORMANCE IT IS RECOMMENDED THESE
EVEN COLUMNS BE GROUND COMMONED WITHIN PCB.
SEE NOTE 13.

| | | | | | | | | | | | |
|--------------------------|----------|----------|------------|--|------------|------------|-------|----------|--|---------------------------|--|
| mat'l code SEE NOTE 5 | | | | tolerances unless otherwise specified | | | | CUSTOMER | | FCI www.fciconnect.com | |
| ltr | ecn no. | dr | date | linear | 0.X ±0.1 | | COPY | | projection | | |
| Y | V06-0544 | DCH | 2006-06-09 | | 0.XX ±.05 | | MM | | title | | |
| AA | V07-0167 | DCH | 2007-03-19 | angles | .XXX ±.020 | | A | | VERTICAL SIGNAL HDR 5 ROW PRESS-FIT, SPECIAL LOAD, STD. | | |
| AB | V07-0677 | HTB | 2007-11-14 | | 0° ±2° | | scale | | product family | | |
| AC | V08-0008 | LP | 2008-1-22 | dr | K. BELL | 2000-03-29 | 1:1 | | METRAL 2000 | | |
| - | - | - | - | engr | M. HAHN | 2000-03-29 | A | | code | | |
| W | V05-0814 | VS | 2005-09-19 | chr | M. HAHN | 2000-03-29 | A | | size | | |
| X | V06-0048 | DAI | 2006-02-08 | appd | M. HAHN | 2000-03-29 | A | | dwg no | | |
| sheet | | revision | AC | AC | AC | AC | AC | AC | 74977 | | |
| index | | sheet | 1 | 2 | 3 | 4 | 5 | 6 | 7 | 213 | |
| | | | | | | | | | | sheet | |
| | | | | | | | | | | 1 of 7 | |

cage code 22526

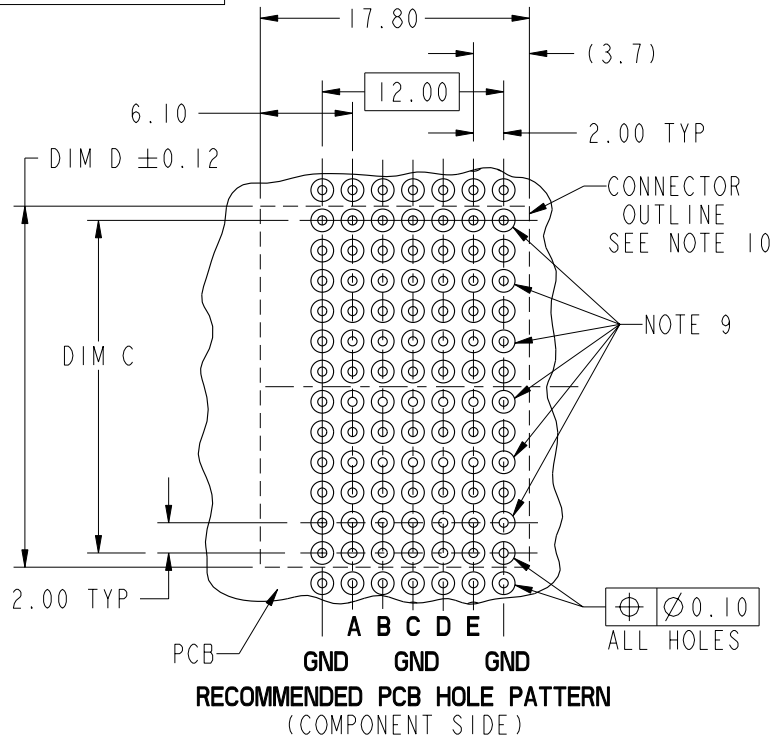
This document is the property of and embodies
 CONFIDENTIAL and PROPRIETARY information of FCJ.
 No part of the information shown on this
 document may be used in any way or disclosed
 to others without the written consent of FCJ.
 Copyright FCJ.



| PRODUCT NUMBER | PLATING PERFORMANCE LEVEL | SHROUD TO USE FOR REAR PLUG-UP APPLICATIONS | LENGTH DIM D | PIN FIELD DIM C | CONNECTOR SIZE | |
|----------------|---------------------------|---|--------------|-----------------|----------------|-------|
| 74977-101ZZZ | TELCORDIA CO | 84621-101 | 11.88 | 10.00 | 1 MOD | |
| 74977-101ZZZLF | | 84621-101LF | | | | |
| 74977-102ZZZ | | 84621-102 | 23.88 | 22.00 | | 2 MOD |
| 74977-102ZZZLF | | 84621-102LF | | | | |
| 74977-103ZZZ | | 84621-103 | 35.88 | 34.00 | | 3 MOD |
| 74977-103ZZZLF | | 84621-103LF | | | | |
| 74977-104ZZZ | | 84621-104 | 47.88 | 46.00 | | 4 MOD |
| 74977-104ZZZLF | | 84621-104LF | | | | |
| 74977-501ZZZ | TELCORDIA UE | 84621-501 | 11.88 | 10.00 | 1 MOD | |
| 74977-501ZZZLF | | 84621-501LF | | | | |
| 74977-502ZZZ | | 84621-502 | 23.88 | 22.00 | | 2 MOD |
| 74977-502ZZZLF | | 84621-502LF | | | | |
| 74977-503ZZZ | | 84621-503 | 35.88 | 34.00 | | 3 MOD |
| 74977-503ZZZLF | | 84621-503LF | | | | |
| 74977-504ZZZ | | 84621-504 | 47.88 | 46.00 | | 4 MOD |
| 74977-504ZZZLF | | 84621-504LF | | | | |
| 74977-901ZZZ | TELCORDIA CO | 84621-101 | 11.88 | 10.00 | 1 MOD | |
| 74977-901ZZZLF | | 84621-101LF | | | | |
| 74977-902ZZZ | | 84621-102 | 23.88 | 22.00 | | 2 MOD |
| 74977-902ZZZLF | | 84621-102LF | | | | |
| 74977-903ZZZ | | 84621-103 | 35.88 | 34.00 | | 3 MOD |
| 74977-903ZZZLF | | 84621-103LF | | | | |
| 74977-904ZZZ | | 84621-104 | 47.88 | 46.00 | | 4 MOD |
| 74977-904ZZZLF | | 84621-104LF | | | | |

| | | | | | | | | | |
|-------------|----------------|------------|------|---------------------------------------|------------|------------|------------|---------------------------|---|
| mat'l code | | SEE NOTE 5 | | tolerances unless otherwise specified | | CUSTOMER | | FCJ www.fcjconnect.com | |
| ltr | ecr no. | dr | date | linear | 0.X ±0.1 | | COPY | | title VERTICAL SIGNAL HDR 5 ROW PRESS-FIT, SPECIAL LOAD, STD. |
| AC | | | | | 0.XX ±0.05 | | projection | | |
| | | | | | .XXX ±.020 | | | | |
| | | | | angles | 0° ±2° | | | | |
| | | | | dr | K. BELL | 2000-03-29 | MM | | product family METRAL 2000 |
| | | | | enr | M. HAHN | 2000-03-29 | | | code 213 |
| | | | | chr | M. HAHN | 2000-03-29 | scale 2:1 | | sheet 2 |
| | | | | appd | M. HAHN | 2000-03-29 | A | | size dwg no 74977 |
| sheet index | revision sheet | | | | | | | | cage code 22526 |

PRODUCT NUMBER
SEE SHEET 2



| PRESS-FIT HOLES | OPTION 1 |
|-----------------------------|---------------------------|
| HOLE DIAMETER AFTER PLATING | 0.65-0.80 |
| DRILLED HOLE | 0.81-0.86 (0.85 DRILL) |
| COPPER PLATING | 0.025 MIN |
| SnPb PLATING | 0.005-0.015 |

SEE PRINT 58351 FOR ADDITIONAL PCB INFORMATION

NOTES:

- SEE APPLICATION SPECIFICATION GS-20-010 FOR INFORMATION ON AVAILABLE TOOLING, CIRCUIT BOARD DESIGN CONSIDERATIONS, REPAIR PROCEDURES AND PRODUCT OFFERINGS.
- SEE FCI PUBLICATION 950511-028 FOR "ELECTRICAL PERFORMANCE DATA FOR DIFFERENTIAL APPLICATIONS."
- SEE FCI PUBLICATION 950511-029 FOR "ELECTRICAL PERFORMANCE DATA FOR SINGLE-ENDED APPLICATIONS."
- UNLESS OTHERWISE SPECIFIED, ALL DIMENSIONS AND TOLERANCES ARE IN ACCORDANCE WITH ASME Y14.5, 1994
- HOUSING MATERIAL: LIQUID CRYSTAL POLYMER, 30% GLASS FILLED, FLAME RETARDANT PER UL 94-V0.
PIN MATERIAL: PHOSPHOR BRONZE
GROUND SPRING MATERIAL: PHOSPHOR BRONZE
STRIPLINE SHIELD MATERIAL: PHOSPHOR BRONZE
- PLATING INFORMATION: PLATING ON CONTACT AREA MEETS THE PERFORMANCE LEVELS AS SHOWN IN TABLE ON SHEET 1. PLATING ON "LF" TAILS IS Sn. PLATING ON ALL OTHER TAILS IS SnPb.
- DIMENSIONAL RESTRICTIONS OF PINS IN HEADERS.
DIM A : 5.0mm MIN, 8.0mm MAX FOR ROWS A-E
DIM A : 5.0mm MIN, 6.3mm MAX FOR ROW GND NEXT TO ROW A
DIM C : 5.0mm MIN, 8.0mm MAX FOR ROWS A-E
DIM C : 4.6mm MIN, 6.3mm MAX FOR ROW GND NEXT TO ROW A
- THE MIN PCB THICKNESS FOR REAR PLUG-UP APPLICATIONS IS 2.9mm SINCE THE COMPLAINT SECTIONS OF THE GROUND SPRING OF THE HEADER DIRECTLY OPPOSE THE GROUND SPRING OF THE SHROUD. THE MIN PCB THICKNESS FOR FRONT PLUG-UP ONLY APPLICATIONS IS 1.6mm.
- THESE HOLES ARE NEEDED FOR REAR PLUG-UP DESIGNS USING A SHROUD AND MAY BE OMITTED FOR FRONT PLUG-UP ONLY DESIGNS.
- THE 'CONNECTOR OUTLINE' IS THE MIN OUTLINE REQUIRED. TO DETERMINE THE OUTLINE NECESSARY TO PERMIT THE VARIOUS TYPES OF REPAIR OPERATIONS, SEE APPLICATION SPECIFICATION GS-20-010.
- CURRENT RATING : 1 AMP PER PIN
- TEMPERATURE RANGE : -55°C TO +105°C
- FOR FRONT PLUG-UP APPLICATIONS, THE EVEN NUMBERED PINS IN ROW 'C' CAN BE USED FOR POWER AS WELL AS FOR GROUND. IF THE SURROUNDING PINS ARE NOT USED FOR POWER, THEN EACH PIN CAN CARRY 3 AMPS. IF THE SURROUNDING PINS ARE USED FOR POWER, THEN EACH PIN CAN CARRY 1 AMP. WHEN THE SURROUNDING PINS ARE USED ONLY FOR LOW SPEED SIGNALS, THEN THE EVEN NUMBERED 'C' ROW PINS CAN ALSO BE USED FOR LOW SPEED SIGNALS. THIS IS NOT TRUE FOR REAR PLUG-UP APPLICATIONS USING METRAL 2000 SHROUD AS IN THIS CASE ALL 'C' ROW PINS ARE COMMON TO GROUND.
- THE PRODUCTS WHERE THE PART NUMBERS ENDS IN LF MEET EUROPEAN UNION DIRECTIVES AND OTHER COUNTRY REGULATIONS AS DESCRIBED IN GS-22-008.
ALL PRODUCTS WILL WITHSTAND EXPOSURE TO 260°C FOR 60 SECONDS IN A CONVECTION, INFRA-RED OR VAPOR PHASE REFLOW OVEN
- FOR LEAD FREE PART NUMBERS ADD "LF" SUFFIX. EXAMPLE: 74977-XYZZZLF
- PIN TYPE IS AT THE MANUFACTURERS OPTION AND CAN BE EITHER BABY-H OR EYE OF THE NEEDLE STYLE

| | | | | | | |
|--------------------------|----------------|---------------------------------------|------|------------|---------------------------|---|
| mat'l code SEE NOTE 5 | | tolerances unless otherwise specified | | CUSTOMER | FCI www.fciconnect.com | |
| ltr | ecr no. | dr | date | linear | projection | title |
| AC | | | | 0.X ±0.1 | MM | VERTICAL SIGNAL HDR 5 ROW PRESS-FIT, SPECIAL LOAD, STD. |
| | | | | 0.XX ±0.05 | MM | product family METRAL 2000 |
| | | | | .XXX ±.020 | MM | code 213 |
| | | | | angles | MM | size |
| | | | | 0° ±2° | MM | 74977 |
| | | | | dr | MM | sheet 3 |
| | | | | enrg | MM | |
| | | | | chr | MM | |
| | | | | appd | MM | |
| | | | | | MM | |
| sheet index | revision sheet | | | | | |

This document is the property of and embodies CONFIDENTIAL and PROPRIETARY information of FCI. No part of the information shown on this document may be used in any way or disclosed to others without the written consent of FCI. Copyright FCI.

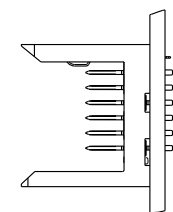
| PIN NO. | DIM A MATING LENGTH | DIM B TAIL LENGTH | PCB THICKNESS RANGE ACCOMMODATED BY PIN'S TAIL LENGTH | | | | |
|---------|---------------------|-------------------|---|-------------|--|-------------|-------------|
| | | | WHEN MATING TO A 73981 OR 84688 SERIES RECEPTACLE | | WHEN MATING TO A 52057 SERIES METRAL 4000 RECEPTACLE | | |
| | | | ROWS A,B,C,D,E | GROUND ROW | ROWS:A,B,D,E | ROW C | GROUND ROW |
| 01* | 5.00 | 4.30 | 1.60 MIN | 1.60 MIN | 1.60 MIN | 1.60 MIN | 1.60 MIN |
| 22 | | 12.20 | 2.95 - 3.80 | 2.95 - 4.20 | 2.95 - 3.80 | 2.95 - 3.80 | 2.95 - 4.20 |
| 30 | | 12.95 | 2.95 - 4.55 | 3.25 - 4.95 | 2.95 - 4.55 | 2.95 - 4.55 | 3.25 - 4.95 |
| 05 | | 13.70 | 2.95 - 5.30 | 4.00 - 5.70 | 3.30 - 5.30 | 2.95 - 5.30 | 4.00 - 5.70 |
| 35 | | 14.45 | 3.05 - 6.05 | 4.75 - 6.45 | 4.05 - 6.05 | 3.05 - 6.05 | 4.75 - 6.45 |
| 48 | | 15.20 | 3.80 - 6.80 | 5.50 - 7.20 | 4.80 - 6.80 | 3.80 - 6.80 | 5.50 - 7.20 |
| 40 | | 15.70 | 4.30 - 7.30 | 6.00 - 7.70 | 5.30 - 7.30 | 4.30 - 7.30 | 6.00 - 7.70 |
| 65 | | 16.40 | 5.00 - 8.00 | 6.70 - 8.40 | 6.00 - 8.00 | 5.00 - 8.00 | 6.70 - 8.40 |
| 09 | | 17.10 | 5.70 - 8.70 | 7.40 - 9.10 | 6.70 - 8.70 | 5.70 - 8.70 | 7.40 - 9.10 |
| 02* | 5.75 | 4.30 | 1.60 MIN | 1.60 MIN | 1.60 MIN | 1.60 MIN | 1.60 MIN |
| 44 | | 12.20 | 2.95 - 3.80 | 2.95 - 4.20 | 2.95 - 3.80 | 2.95 - 3.80 | 2.95 - 4.20 |
| 31 | | 12.95 | 2.95 - 4.55 | 3.25 - 4.95 | 2.95 - 4.55 | 2.95 - 4.55 | 3.25 - 4.95 |
| 06 | | 13.70 | 2.95 - 5.30 | 4.00 - 5.70 | 3.30 - 5.30 | 2.95 - 5.30 | 4.00 - 5.70 |
| 36 | | 14.45 | 3.05 - 6.05 | 4.75 - 6.45 | 4.05 - 6.05 | 3.05 - 6.05 | 4.75 - 6.45 |
| 49 | | 15.20 | 3.80 - 6.80 | 5.50 - 7.20 | 4.80 - 6.80 | 3.80 - 6.80 | 5.50 - 7.20 |
| 25 | | 15.70 | 4.30 - 7.30 | 6.00 - 7.70 | 5.30 - 7.30 | 4.30 - 7.30 | 6.00 - 7.70 |
| 66 | | 16.40 | 5.00 - 8.00 | 6.70 - 8.40 | 6.00 - 8.00 | 5.00 - 8.00 | 6.70 - 8.40 |
| 10 | | 17.10 | 5.70 - 8.70 | 7.40 - 9.10 | 6.70 - 8.70 | 5.70 - 8.70 | 7.40 - 9.10 |
| 03* | 6.50 | 4.30 | 1.60 MIN | 1.60 MIN | 1.60 MIN | 1.60 MIN | 1.60 MIN |
| 45 | | 12.20 | 2.95 - 3.80 | 2.95 - 4.20 | 2.95 - 3.80 | 2.95 - 3.80 | 2.95 - 4.20 |
| 32 | | 12.95 | 2.95 - 4.55 | 3.25 - 4.95 | 2.95 - 4.55 | 2.95 - 4.55 | 3.25 - 4.95 |
| 07 | | 13.70 | 2.95 - 5.30 | 4.00 - 5.70 | 3.30 - 5.30 | 2.95 - 5.30 | 4.00 - 5.70 |
| 37 | | 14.45 | 3.05 - 6.05 | 4.75 - 6.45 | 4.05 - 6.05 | 3.05 - 6.05 | 4.75 - 6.45 |
| 50 | | 15.20 | 3.80 - 6.80 | 5.50 - 7.20 | 4.80 - 6.80 | 3.80 - 6.80 | 5.50 - 7.20 |
| 41 | | 15.70 | 4.30 - 7.30 | 6.00 - 7.70 | 5.30 - 7.30 | 4.30 - 7.30 | 6.00 - 7.70 |
| 24 | | 16.40 | 5.00 - 8.00 | 6.70 - 8.40 | 6.00 - 8.00 | 5.00 - 8.00 | 6.70 - 8.40 |
| 11 | | 17.10 | 5.70 - 8.70 | 7.40 - 9.10 | 6.70 - 8.70 | 5.70 - 8.70 | 7.40 - 9.10 |



This document is the property of and embodies CONFIDENTIAL and PROPRIETARY information of FCI. No part of the information shown on this document may be used in any way or disclosed to others without the written consent of FCI. Copyright FCI.

| | | | | | | | | | |
|-----------------------|----------------|----|------|---------------------------------------|------------|------------|------------|------------------------|--|
| mat'l code SEE NOTE 5 | | | | tolerances unless otherwise specified | | CUSTOMER | | FCI www.fciconnect.com | |
| ltr | ecn no. | dr | date | linear | 0.X ±0.1 | | COPY | | title VERTICAL SIGNAL HDR 5 ROW PRESS-FIT, SPECIAL LOAD, STD. |
| AC | | | | | 0.XX ±0.05 | | projection | | |
| | | | | | .XXX ±.020 | | | | |
| | | | | angles | 0° ±2° | | | | product family METRAL 2000 code 213 size dwg no 74977 sheet 4 |
| | | | | dr | K. BELL | 2000-03-29 | MM | | |
| | | | | engr | M. HAHN | 2000-03-29 | | | |
| | | | | chr | M. HAHN | 2000-03-29 | scale 1:1 | | A |
| | | | | appd | M. HAHN | 2000-03-29 | | | |
| sheet index | revision sheet | | | | | | | | |

| PIN NO. | DIM A MATING LENGTH | DIM B TAIL LENGTH | PCB THICKNESS RANGE ACCOMMODATED BY PIN LENGTH | | | | |
|---------|---------------------|-------------------|---|-------------|--|-------------|-------------|
| | | | WHEN MATING TO A 73981 OR 84688 SERIES RECEPTACLE | | WHEN MATING TO A 52057 SERIES METRAL 4000 RECEPTACLE | | |
| | | | ROWS A,B,C,D,E | GROUND ROW | ROWS:A,B,D,E | ROW C | GROUND ROW |
| 04* | 7.25 | 4.30 | 1.60 MIN | 1.60 MIN | 1.60 MIN | 1.60 MIN | 1.60 MIN |
| 46 | | 12.20 | 2.95 - 3.80 | 2.95 - 4.20 | 2.95 - 3.80 | 2.95 - 3.80 | 2.95 - 4.20 |
| 33 | | 12.95 | 2.95 - 4.55 | 3.25 - 4.95 | 2.95 - 4.55 | 2.95 - 4.55 | 3.25 - 4.95 |
| 08 | | 13.70 | 2.95 - 5.30 | 4.00 - 5.70 | 3.30 - 5.30 | 2.95 - 5.30 | 4.00 - 5.70 |
| 38 | | 14.45 | 3.05 - 6.05 | 4.75 - 6.45 | 4.05 - 6.05 | 3.05 - 6.05 | 4.75 - 6.45 |
| 51 | | 15.20 | 3.80 - 6.80 | 5.50 - 7.20 | 4.80 - 6.80 | 3.80 - 6.80 | 5.50 - 7.20 |
| 42 | | 15.70 | 4.30 - 7.30 | 6.00 - 7.70 | 5.30 - 7.30 | 4.30 - 7.30 | 6.00 - 7.70 |
| 67 | | 16.40 | 5.00 - 8.00 | 6.70 - 8.40 | 6.00 - 8.00 | 5.00 - 8.00 | 6.70 - 8.40 |
| 12 | | 17.10 | 5.70 - 8.70 | 7.40 - 9.10 | 6.70 - 8.70 | 5.70 - 8.70 | 7.40 - 9.10 |
| 19* | | 8.00 | 4.30 | 1.60 MIN | 1.60 MIN | 1.60 MIN | 1.60 MIN |
| 47 | 12.20 | | 2.95 - 3.80 | 2.95 - 4.20 | 2.95 - 3.80 | 2.95 - 3.80 | 2.95 - 4.20 |
| 34 | 12.95 | | 2.95 - 4.55 | 3.25 - 4.95 | 2.95 - 4.55 | 2.95 - 4.55 | 3.25 - 4.95 |
| 20 | 13.70 | | 2.95 - 5.30 | 4.00 - 5.70 | 3.30 - 5.30 | 2.95 - 5.30 | 4.00 - 5.70 |
| 39 | 14.45 | | 3.05 - 6.05 | 4.75 - 6.45 | 4.05 - 6.05 | 3.05 - 6.05 | 4.75 - 6.45 |
| 52 | 15.20 | | 3.80 - 6.80 | 5.50 - 7.20 | 4.80 - 6.80 | 3.80 - 6.80 | 5.50 - 7.20 |
| 43 | 15.70 | | 4.30 - 7.30 | 6.00 - 7.70 | 5.30 - 7.30 | 4.30 - 7.30 | 6.00 - 7.70 |
| 68 | 16.40 | | 5.00 - 8.00 | 6.70 - 8.40 | 6.00 - 8.00 | 5.00 - 8.00 | 6.70 - 8.40 |
| 21 | 17.10 | | 5.70 - 8.70 | 7.40 - 9.10 | 6.70 - 8.70 | 5.70 - 8.70 | 7.40 - 9.10 |



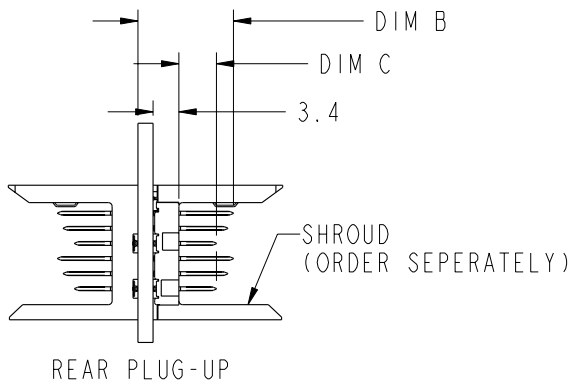
STUB MOUNT

A

A



This document is the property of and embodies CONFIDENTIAL and PROPRIETARY information of FCI. No part of the information shown on this document may be used in any way or disclosed to others without the written consent of FCI. Copyright FCI.



B

B

| | | | | | | | | | |
|-----------------------|----------------|----|------|---------------------------------------|--------------------|------------|---|-------------|------|
| mat'l code SEE NOTE 5 | | | | tolerances unless otherwise specified | | CUSTOMER | FCI www.fciconnect.com | | |
| ltr | ecn no. | dr | date | linear | 0.X ±0.1 | COPY | title | | |
| AC | | | | angles | 0.XX ±0.05 | projection | VERTICAL SIGNAL HDR 5 ROW PRESS-FIT, SPECIAL LOAD, STD. | | |
| | | | | dr | .XXX ±.020 | | product family | METRAL 2000 | |
| | | | | engr | 0° ±2° | | size | dwg no | code |
| | | | | chr | K. BELL 2000-03-29 | | A | 74977 | 213 |
| | | | | appd | M. HAHN 2000-03-29 | | sheet | 5 | |
| sheet index | revision sheet | | | | M. HAHN 2000-03-29 | | | | |

SPECIAL LOAD PATTERNS

| PRODUCT # | ROW | PIN CODES |
|---|-----|-----------|
| 74977-XY001 SEE NOTE 15 LEAD FREE OPTION | E | 01 |
| | D | |
| | C | |
| | B | |
| | A | |
| | GND | |
| 74977-XY002 *RPU SEE NOTE 15 LEAD FREE OPTION | E | 22 |
| | D | |
| | C | |
| | B | |
| | A | |
| | GND | |
| 74977-XY003 *RPU SEE NOTE 15 LEAD FREE OPTION | E | 30 |
| | D | |
| | C | |
| | B | |
| | A | |
| | GND | |
| 74977-XY011 SEE NOTE 15 LEAD FREE OPTION | E | 02 |
| | D | |
| | C | |
| | B | |
| | A | |
| | GND | |
| 74977-XY012 *RPU SEE NOTE 15 LEAD FREE OPTION | E | 44 |
| | D | |
| | C | |
| | B | |
| | A | |
| | GND | |
| 74977-XY012 *RPU SEE NOTE 15 LEAD FREE OPTION | E | 22 |
| | D | |
| | C | |
| | B | |
| | A | |
| | GND | |

PCB THICKNESS RANGE FOR REAR PLUG UP APPLICATIONS 2.95 TO 3.80mm

PCB THICKNESS RANGE FOR REAR PLUG UP APPLICATIONS 3.25 TO 4.55mm

PCB THICKNESS RANGE FOR REAR PLUG UP APPLICATIONS 2.95 TO 3.80mm

* REAR PLUG-UP PART NUMBER

SPECIAL LOAD PATTERNS

| PRODUCT # | ROW | PIN CODES |
|---|-----|-----------|
| 74977-XY013 *RPU SEE NOTE 15 LEAD FREE OPTION | E | 06 |
| | D | |
| | C | |
| | B | |
| | A | |
| | GND | |
| 74977-XY021 SEE NOTE 15 LEAD FREE OPTION | E | 03 |
| | D | |
| | C | |
| | B | |
| | A | |
| | GND | |
| 74977-XY050 SEE NOTE 15 LEAD FREE OPTION | E | 02 |
| | D | |
| | C | |
| | B | |
| | A | |
| | GND | |
| 74977-XY051 *RPU SEE NOTE 15 LEAD FREE OPTION | E | 25 |
| | D | |
| | C | |
| | B | |
| | A | |
| | GND | |
| 74977-XY051 *RPU SEE NOTE 15 LEAD FREE OPTION | E | 49 |
| | D | |
| | C | |
| | B | |
| | A | |
| | GND | |

PCB THICKNESS RANGE FOR REAR PLUG UP APPLICATIONS 3.25 TO 4.55mm

PCB THICKNESS RANGE FOR REAR PLUG UP APPLICATIONS 5.50 TO 7.20mm



This document is the property of and embodies CONFIDENTIAL and PROPRIETARY information of FCI. No part of the information shown on this document may be used in any way or disclosed to others without the written consent of FCI. Copyright FCI.

| | | | | | | | | |
|-----------------------|----------------|----|------|---------------------------------------|--------------------|------------|---|-------|
| mat'l code SEE NOTE 5 | | | | tolerances unless otherwise specified | | CUSTOMER | FCI www.fciconnect.com | |
| ltr | ecr no. | dr | date | linear | 0.X ±0.1 | projection | COPY | |
| AC | | | | | 0.XX ±0.05 | | title | |
| | | | | angles | .XXX ±.020 | | VERTICAL SIGNAL HDR 5 ROW PRESS-FIT, SPECIAL LOAD, STD. | |
| | | | | | 0° ±2° | | product family | |
| | | | | dr | K. BELL 2000-03-29 | | METRAL 2000 | code |
| | | | | enrg | M. HAHN 2000-03-29 | | size | 213 |
| | | | | chr | M. HAHN 2000-03-29 | | dwg no | sheet |
| | | | | appd | M. HAHN 2000-03-29 | | A | 74977 |
| sheet index | revision sheet | | | | | | | |

SPECIAL LOAD PATTERNS

| PRODUCT # | ROW | PIN CODES |
|---|-----|-----------|
| 74977-XY052 SEE NOTE 15 LEAD FREE OPTION | E | 01 |
| | D | |
| | C | 03 |
| | B | 01 |
| | A | |
| | GND | |
| 74977-XY053 SEE NOTE 15 LEAD FREE OPTION | E | 02 |
| | D | |
| | C | |
| | B | |
| | A | |
| | GND | |
| 74977-XY054 *RPU SEE NOTE 15 LEAD FREE OPTION | E | 25 |
| | D | |
| | C | |
| | B | |
| | A | |
| | GND | |
| 74977-XY055 *RPU SEE NOTE 15 LEAD FREE OPTION | E | 06 |
| | D | |
| | C | |
| | B | |
| | A | |
| | GND | |

PCB THICKNESS
RANGE FOR REAR
PLUG UP
APPLICATIONS
*4.30 TO 7.30mm

PCB THICKNESS
RANGE FOR REAR
PLUG UP
APPLICATIONS
*2.95 TO 5.30mm

SPECIAL LOAD PATTERNS

| PRODUCT # | ROW | PIN CODES | |
|---|-----|-----------|----|
| 74977-XY056 *RPU SEE NOTE 15 LEAD FREE OPTION | E | 22 | |
| | D | | |
| | C | 45 | |
| | B | 22 | |
| | A | | |
| | GND | | |
| 74977-XY057 SEE NOTE 15 LEAD FREE OPTION | E | 02 | |
| | D | | |
| | C | | |
| | B | | |
| | A | | 01 |
| | GND | | 02 |
| 74977-XY058 ***RPU SEE NOTE 15 LEAD FREE OPTION | E | 22 | |
| | D | | |
| | C | 45 | |
| | B | 22 | |
| | A | | |
| | GND | | |
| 74977-XY059 SEE NOTE 15 LEAD FREE OPTION | E | 03 | |
| | D | | |
| | C | 19 | |
| | B | 03 | |
| | A | | |
| | GND | 02 | |

PCB THICKNESS
RANGE FOR REAR
PLUG UP
APPLICATIONS
2.95 TO 3.80mm



This document is the property of and embodies
 CONFIDENTIAL and PROPRIETARY information of FCI.
 No part of the information shown on this
 document may be used in any way or disclosed
 to others without the written consent of FCI.
 Copyright FCI.

*REAR PLUG-UP PART NUMBER
WITH PIN ALIGNER
***REAR PLUG-UP PART NUMBER
WITHOUT PIN ALIGNER

| | | | | | | | | | | |
|---------------------------|----------------|----|------|--|--------------------|------------|---------------------------|---|-------|---|
| mat'l code SEE SHEET 5 | | | | tolerances unless otherwise specified | | CUSTOMER | FCI www.fciconnect.com | | | |
| ltr | ecr no. | dr | date | linear | 0.X ±0.1 | projection | COPY | | | |
| AC | | | | | 0.XX ±0.05 | | | title VERTICAL SIGNAL HDR 5 ROW PRESS-FIT, SPECIAL LOAD, STD. | | |
| | | | | | .XXX ±.020 | | | product family METRAL 2000 code | | |
| | | | | angles | 0° ±2° | | size | dwg no | | |
| | | | | dr | K. BELL 2000-03-29 | | A | 74977 | 213 | |
| | | | | engr | M. HAHN 2000-03-29 | | | | sheet | 7 |
| | | | | chr | M. HAHN 2000-03-29 | | | | scale | |
| | | | | appd | M. HAHN 2000-03-29 | | | | 1:1 | |
| sheet index | revision sheet | | | | | | | | | |

Mouser Electronics

Authorized Distributor

Click to View Pricing, Inventory, Delivery & Lifecycle Information:

[FCI / Amphenol:](#)

[74977-101050LF](#) [74977-101001LF](#) [74977-101011](#) [74977-101013](#) [74977-101021](#) [74977-102001](#) [74977-103001](#)
[74977-104002](#) [74977-104011](#) [74977-101002LF](#) [74977-101003LF](#) [74977-101012LF](#) [74977-101055LF](#) [74977-](#)
[101056LF](#) [74977-103011LF](#) [74977-301013LF](#) [74977-901001LF](#) [74977-901002LF](#) [74977-901011LF](#) [74977-901001](#)
[74977-901002](#) [74977-101011LF](#) [74977-101013LF](#) [74977-101021LF](#) [74977-101052LF](#) [74977-102001LF](#) [74977-](#)
[103001LF](#) [74977-104002LF](#) [74977-104011LF](#) [74977-302057LF](#) [74977-101001](#) [74977-101050](#) [74977-101002](#)
[74977-101003](#) [74977-101012](#) [74977-101051](#) [74977-101051LF](#) [74977-101055](#) [74977-101056](#) [74977-501011](#)
[74977-501011LF](#)