

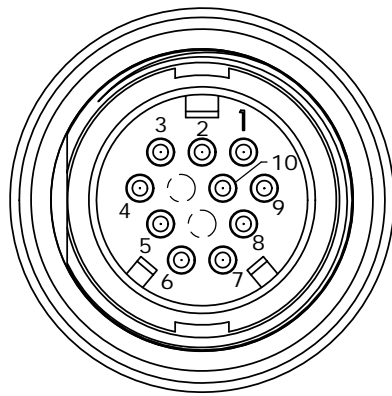
CUSTOMER PRINT

PART NUMBER: W4281-1XPG-3ES

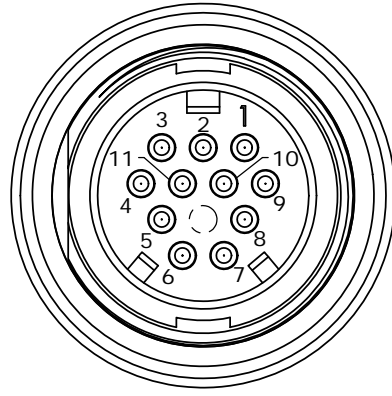
ASS'Y P/N	CONTACTS	HOLE POS. CLOSED
W4281-10PG-3ES	10 - #20	11, 12
W4281-11PG-3ES	11 - #20	12
W4281-12PG-3ES	12 - #20	NONE
W4281-1XPG-3ES		

NO. OF CONTACTS

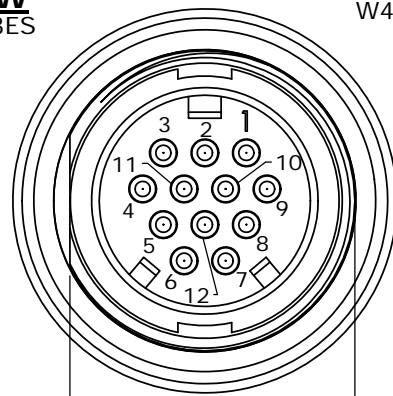
- NOTES:**
- ALL PARTS TO BE BULK PACKED.
 - CONTACTS ASSEMBLED INTO CONNECTOR.
 - BACK WELL FILLED WITH EPOXY.
 - ALL DIMENSIONS ARE REFERENCE ONLY EXCEPT WHERE NOTED WITH TOLERANCE. DIMENSIONS IN BRACKETS [] ARE METRIC.
 - PC TAIL LENGTH OPTIONS:
 - STANDARD (SHORT) TAIL = 0.114in [W4281-1XPG-3ES]
 - INTERMEDIATE = 0.202in [W4291-1XPG-3ES]
 - LONG = 0.257in [W4292-1XPG-3ES]



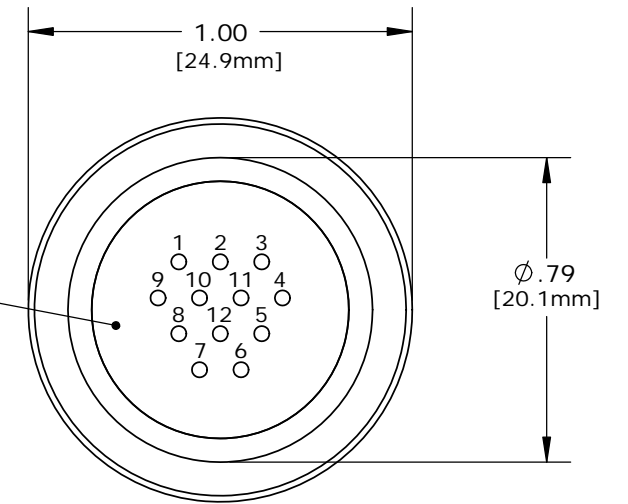
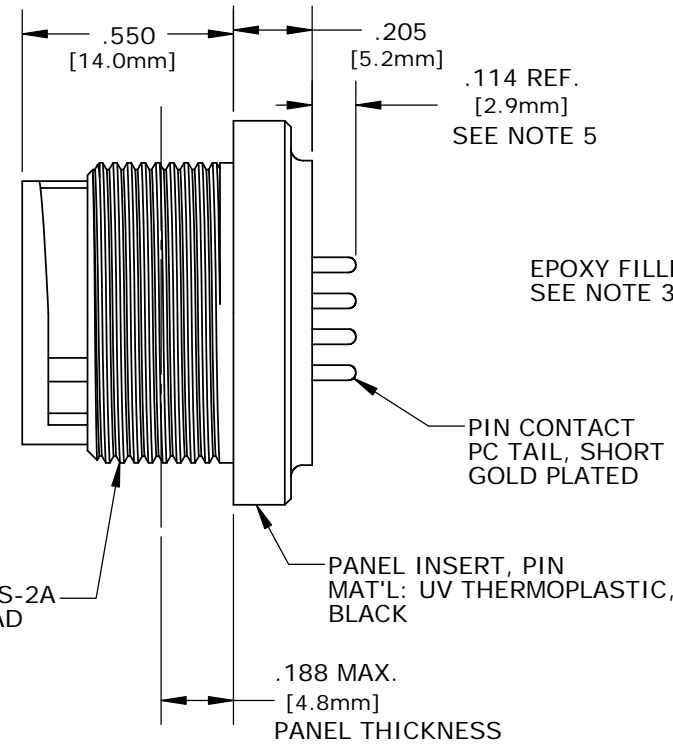
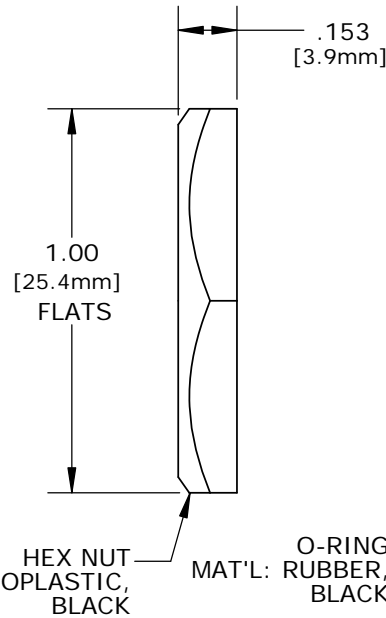
FACE VIEW
W4281-10PG-3ES
10-POS.



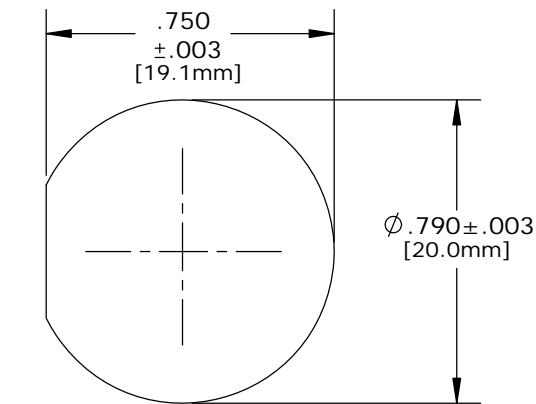
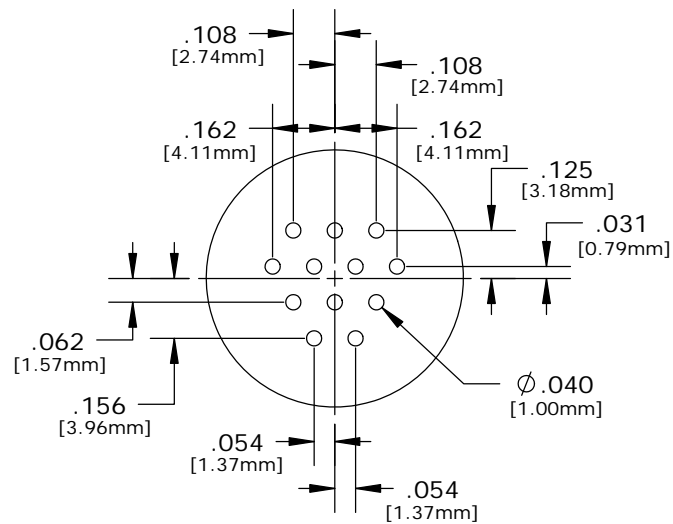
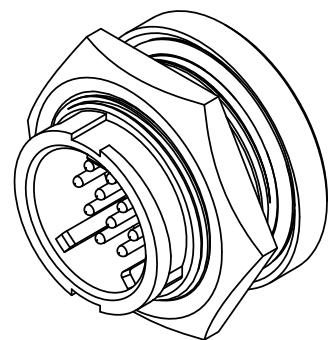
FACE VIEW
W4281-11PG-3ES
11-POS.



FACE VIEW
W4281-12PG-3ES
12-POS.



PC TAIL VIEW
W4281-10PG-3ES - 10-POS. (11&12 CLOSED)
W4281-11PG-3ES - 11-POS. (12 CLOSED)
W4281-12PG-3ES - 12-POS. (ALL OPEN)



CUSTOMER APPROVAL

THIS DOCUMENT CONTAINS CONFIDENTIAL INFORMATION PROPRIETARY TO CONXALL CORPORATION. ANY REPRODUCTION, DISCLOSURE, OR USE OF THIS DOCUMENT /INFORMATION IS EXPRESSLY PROHIBITED UNLESS AUTHORIZED IN WRITING BY CONXALL CORPORATION.

APPROVED BY: _____

DATE: _____

REV.	INIT.	DATE	DESCRIPTION
A	PAK	09/12/19	DRAWING CREATED AND RELEASED PER DOR 10-2523JS-1

<p>ALL INFORMATION ILLUSTRATED IS THE PROPERTY OF CONXALL CORPORATION. UNAUTHORIZED DUPLICATION OR DISTRIBUTION OF THIS DOCUMENT IS PROHIBITED.</p> <p>UNLESS OTHERWISE SPECIFIED TOLERANCES: 3 PLACE DECIMALS ±.005 ANGLES ±1° FRACTIONS ±1/16</p> <p>CRITICAL CHARACTERISTIC FLAG PER SPEC. XXXX</p>	<p>ORIG. DRAWN BY: PAK</p> <p>DATE: 10/02/14</p> <p>CHECKED BY:</p> <p>APPROVED BY:</p> <p>SCALE: NTS</p> <p>SIZE: B</p> <p>SHEET: 1 OF 1</p> <p>FILE: W4281-1XPG-3ES</p> <p>DIRECTORY: SLW</p>	<p>601 E. WILDWOOD VILLA PARK, IL 60181</p> <p>TITLE: PANEL PIN, W/ EPOXY 12-POS., #20 PC TAIL, SHORT (STD.) MULTI-CON-X, E-KEY, WEATHER RESISTANT STANDARD PRODUCT</p> <p>CUSTOMER: STANDARD PRODUCT</p> <p>PART NUMBER: W4281-1XPG-3ES</p>	<p>REV A</p>
--	---	--	--------------

Mouser Electronics

Authorized Distributor

Click to View Pricing, Inventory, Delivery & Lifecycle Information:

[Switchcraft:](#)

[W4281-11PG-3ES](#) [W4281-12PG-3ES](#) [W4281-10PG-3ES](#)