

LLF70 Series

Compact, External Fitting, Low Level, Low S.G. Float Switch



- Suitable for low specific gravity liquids (0.7 S.G.)
- Very low level sensing
- Class leading compact design
- Compression seal fitting
- Flying Lead or M12 plug connection
- Available in Nylon, Polypropylene, PPS & PVDF
- 25VA & 100VA versions available
- Many variants are UL recognised components File No. E171218
- Many variants have WRAS and /or UL approval

The LLF70 series is designed for fitting through a tank wall from the outside, where access to the inside for fitting is not possible.

These devices are particularly suitable for detecting low levels of liquids in the bottom of tanks and containers, and for lower SG liquids. Typical applications include vending machines, commercial dishwashers and auxiliary tanks on vehicles.

These are manufactured in a variety of plastics, with a choice of gasket materials, to suit most commonly used liquids.

The switch action may be reversed by mounting the device with the float able to move upwards away from the body, instead of the more normal downwards direction.

Available with either flying leads or M12 socket for electrical connection. Cable sets with M12 plugs are also available.

Custom versions can be made for particular applications. Please contact Cynergy3 with your requirements.

Technical Specification	LLF73	LLF74	LLF78	LLF76	LLF77
Material	Nylon	Polypropylene WRAS approved	Polypropylene UL approved	Polyphenylene Sulphide (PPS)	Polyvinylidene Fluoride (PVDF)
Colour	Black	Opaque	White	Grey	Green
Temp. Range °C	-20 / +75	-20 / +100	-20 / +100	-10 / +120*	-10 / +105
°F	-4 / +167	-4 / +212	-4 / +212	+14 / +248*	-14 / +221
Min. Fluid SG	0.7	0.7	0.7	0.7	0.7
Must close level (SG=1)	1mm	1mm	1mm	1mm	1mm
Must open level (SG=1)	10mm	10mm	10mm	10mm	10mm

* ETFE cable needs to be selected in order to achieve the maximum temperature rating

Electrical Specification	25W (Y code)	100W (H code)
Contact Form	N/O (N/C)	N/O (N/C)
Switching Power Max VA	25	100
Switching Voltage AC Max V	240	300
Switching Voltage DC Max V	120	300
Switching Current Max A	0.6	1

All ratings are for resistive load only.

Standard Parts	Material	Max Power	Leadouts	Gasket	Approvals
LLF73H100RN	Nylon	100VA	100cm PVC 16/0.2	Nitrile	WRAS
LLF73Y100RN	Nylon	25VA	100cm PVC 16/0.2	Nitrile	WRAS
LLF73Y100RM	Nylon	25VA	100cm PVC 16/0.2	Silicone	WRAS
LLF74H100RN	Polypropylene	100VA	100cm PVC 16/0.2	Nitrile	WRAS
LLF74Y100RN	Polypropylene	25VA	100cm PVC 16/0.2	Nitrile	WRAS
LLF74Y100RM	Polypropylene	25VA	100cm PVC 16/0.2	Silicone	WRAS
LLF76H100RN	PPS	100VA	100cm PVC 16/0.2	Nitrile	WRAS & UL
LLF76Y100RN	PPS	25VA	100cm PVC 16/0.2	Nitrile	WRAS & UL
LLF77Y100GN	PVDF	25VA	100cm PTFE 7/0.2	Nitrile	UL
LLF77H100GN	PVDF	100VA	100cm PTFE 7/0.2	Nitrile	UL
LLF77Y100GV	PVDF	25VA	100cm PTFE 7/0.2	Viton	UL
LLF77H100GV	PVDF	100VA	100cm PTFE 7/0.2	Viton	UL
LLF78H100RN	PP (UL)	100VA	100cm PVC 16/0.2	Nitrile	UL
LLF78Y100RN	PP (UL)	25VA	100cm PVC 16/0.2	Nitrile	UL
LLF73HNP	Nylon	100VA	M12 connection	Nitrile	WRAS
LLF73YNP	Nylon	25VA	M12 connection	Nitrile	WRAS
LLF74HNP	Polypropylene	100VA	M12 connection	Nitrile	WRAS
LLF74YNP	Polypropylene	25VA	M12 connection	Nitrile	WRAS
LLF76HNP	PPS	100VA	M12 connection	Nitrile	WRAS & UL
LLF76YNP	PPS	25VA	M12 connection	Nitrile	WRAS & UL
LLF77HNP	PVDF	100VA	M12 connection	Nitrile	UL
LLF77YNP	PVDF	25VA	M12 connection	Nitrile	UL
LLF77HVP	PVDF	100VA	M12 connection	Viton	UL
LLF77YVP	PVDF	25VA	M12 connection	Viton	UL
LLF78HNP	PP (UL)	100VA	M12 connection	Nitrile	UL
LLF78YNP	PP (UL)	25VA	M12 connection	Nitrile	UL

Cynergy3 Components Ltd. 7 Cobham Road, Ferndown Industrial Estate, Wimborne, Dorset, BH21 7PE, United Kingdom
Telephone: +44 (0)1202 897969 Email: c3w_sales@sensata.com

ISO9001 CERTIFIED

cynergy3-llf70-v3



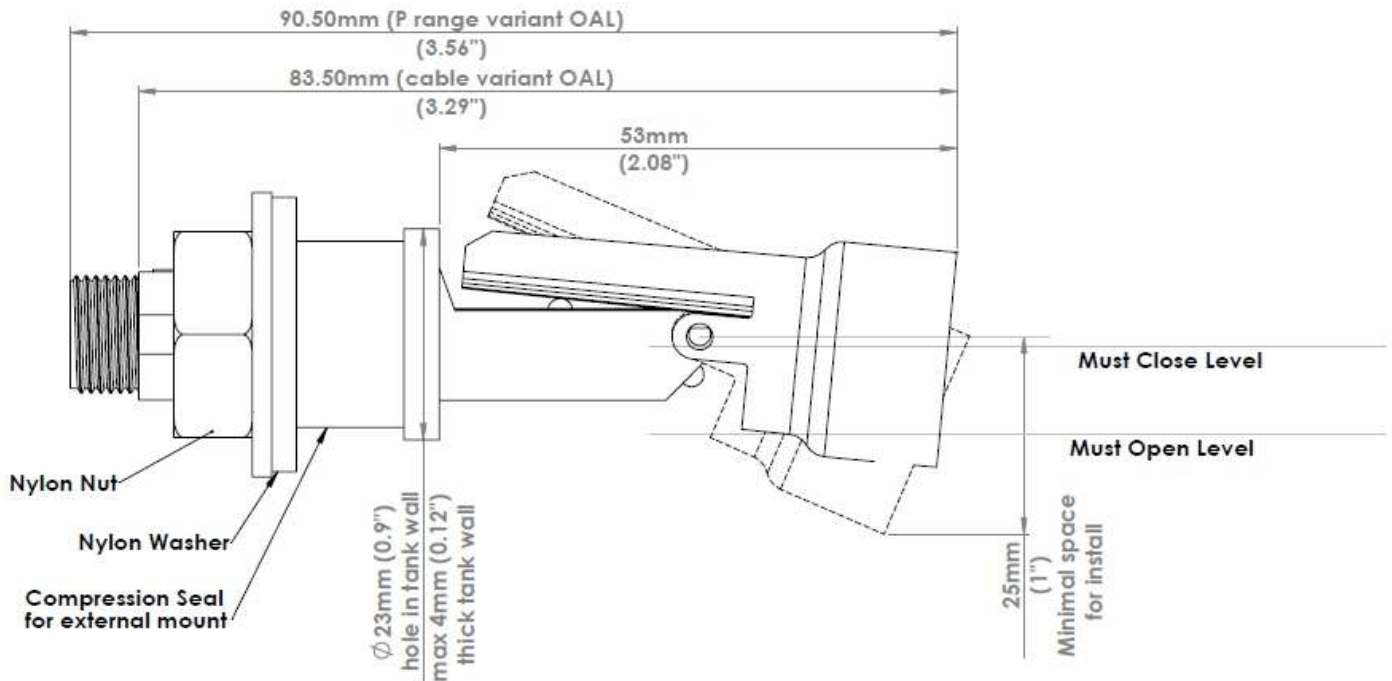
Made in the UK

www.cynergy3.com

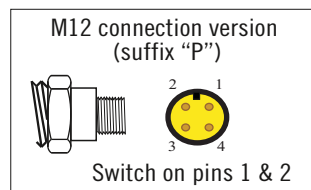
LLF70 Series

Compact, External Fitting, Low Level, Low S.G. Float Switch

Mechanical Dimensions



Electrical Connections



Mouser Electronics

Authorized Distributor

Click to View Pricing, Inventory, Delivery & Lifecycle Information:

[Sensata:](#)

[LLF77YNP](#) [LLF78H100RN](#) [LLF78Y100RN](#) [LLF77Y100GN](#) [LLF76Y100RN](#) [LLF76YNP](#)