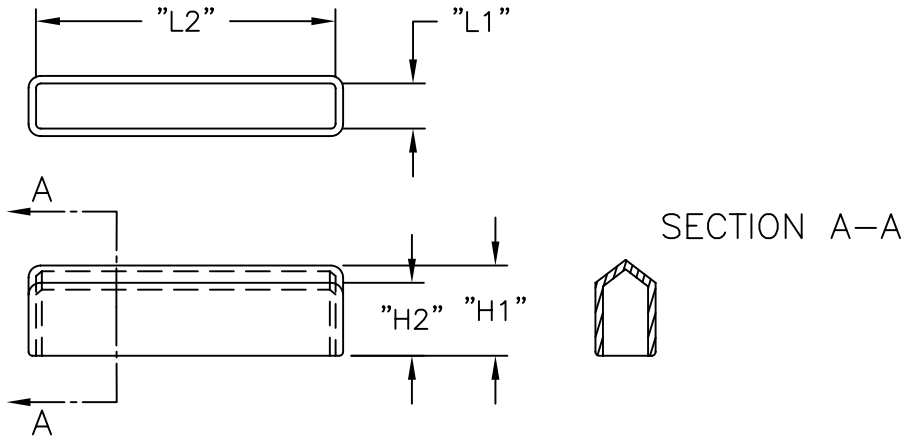


PART NO.	"H1" REF.	"H2" REF.	"L1"	"L2"	FUSE TYPE
840620	1/2 (12.7)	25/64 (9.9)	.24 (6.0)	.79 (20.0)	METRIC
840730	1/2 (12.7)	25/64 (9.9)	.28 (7.0)	1.18 (30.0)	METRIC
840832	5/8 (15.9)	37/64 (14.7)	.32 (8.0)	1.26 (32.0)	METRIC
840836	1/2 (12.7)	25/64 (9.9)	.32 (8.0)	1.42 (36.0)	STD 1/4X1-1/4



NOTES:  
 1. MATERIAL: FLEXIBLE PVC (RMS-55).  
 2. COLOR: TRANSPARENT BLUE.

A		CHANGED FILE NO.	SM 03.22.02	TITLE: "QUICK FIT" FUSE COVERS			⊕	▭	DWG IN IN (MM)	QR
REV		DESCRIPTION	ENGR DATE	TOLERANCES UNLESS NOTED .XX=±.020 .XXX=±.015 FRAC=±1/64 ANG=±1°	FILE # 840XXX	DWN: J.B.	APP:	FINAL		
				MAT'L: SEE NOTES	DT: 09-21-95	DT:	PART #		PRINT	
				RE: RICHCO, INC.	RICHCO INC. PO BOX 804238, CHICAGO, 60680 (773) 539-4060		SEE TABLE		TYPE CA	

# Mouser Electronics

Authorized Distributor

Click to View Pricing, Inventory, Delivery & Lifecycle Information:

Essentra:

[840832](#) [840620](#) [840730](#) [840836](#)