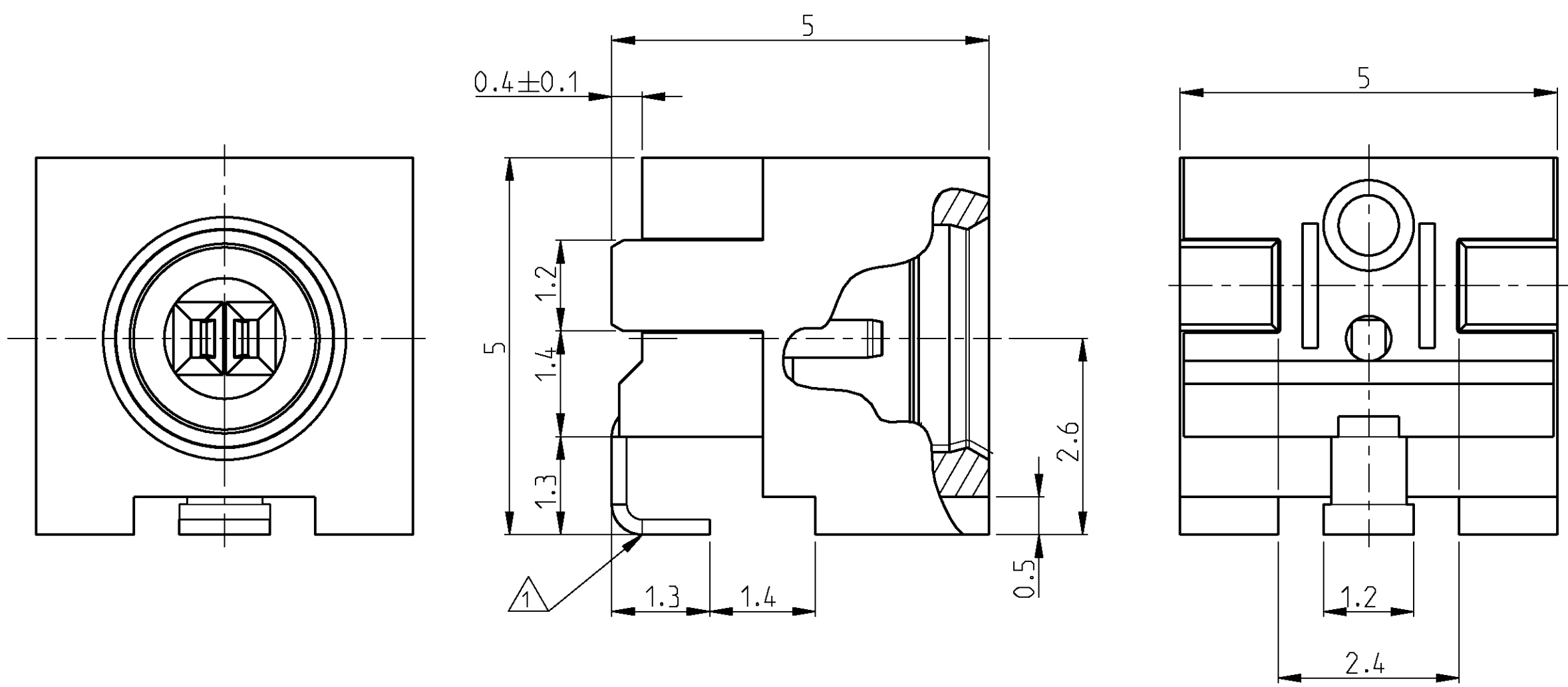
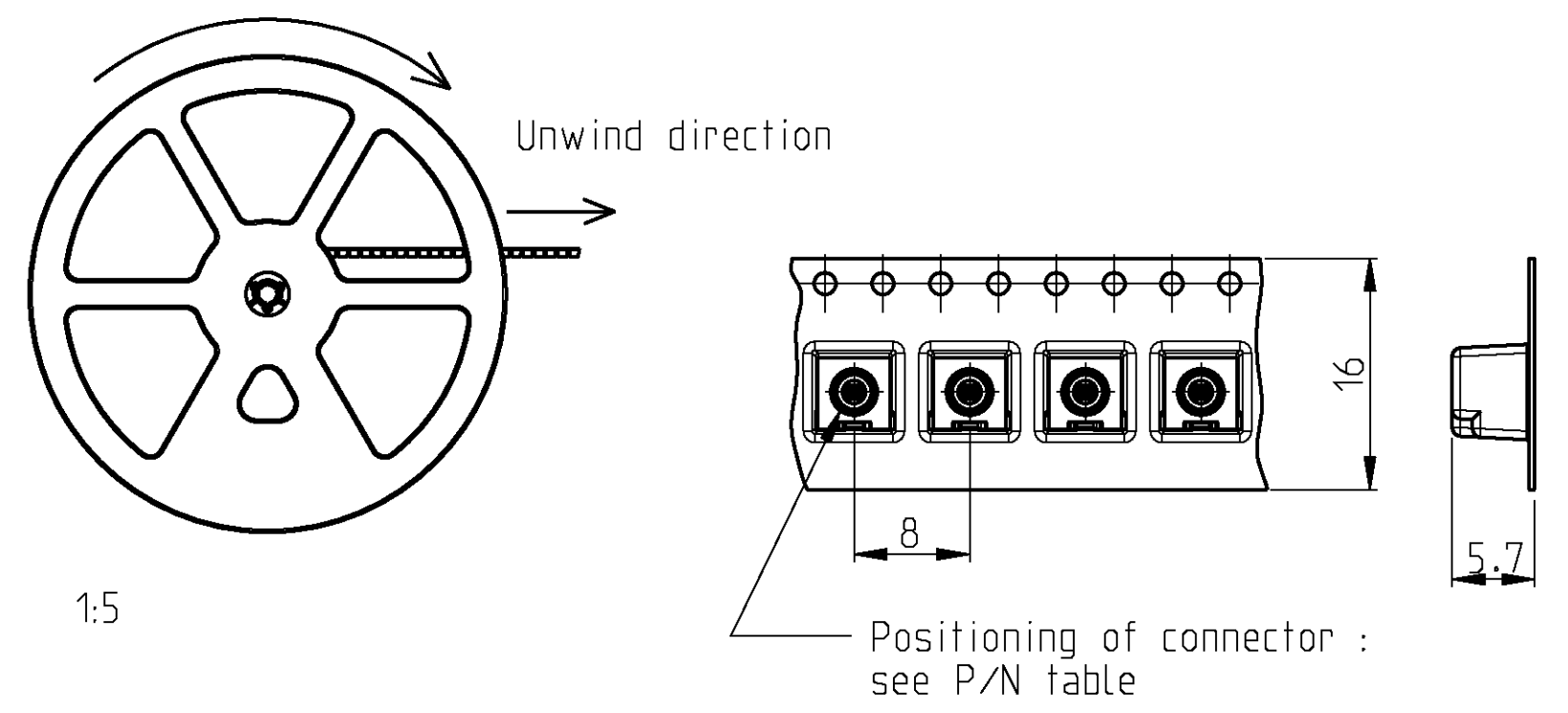


THIS DRAWING IS UNPUBLISHED. RELEASED FOR PUBLICATION  
 © COPYRIGHT - BY - ALL RIGHTS RESERVED.

LOC		DIST		REVISIONS			
P	LTR	DESCRIPTION	DATE	DWN	APVD		
	A1	REVISED PER ECO-11-005150	28MAR11	RK	HMR		

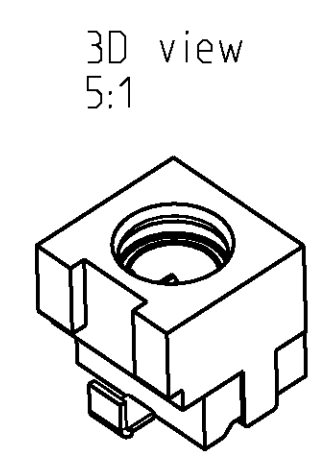


Packaging : Tape on reel  
 Reel width : 22.4 mm  
 Reel diameter : 330 mm  
 Quantity per reel : 1500

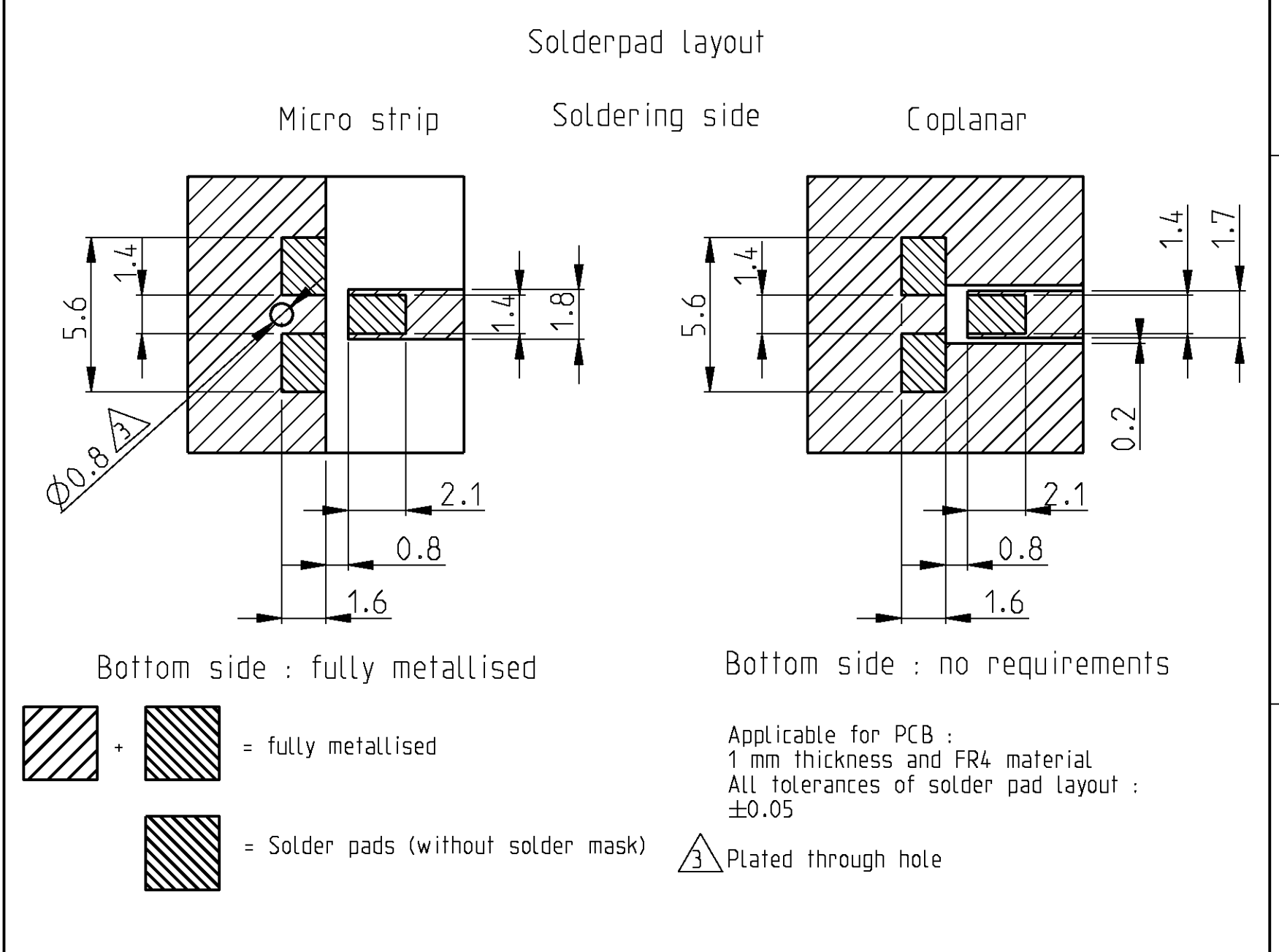


- ① Signal contact solder lead
- ② Partial Sn plating on ①
- 3) Interface dimensions in accordance with CECC22340
- 4) Comply with IEC 60286-3 and EIA-481

TE CONNECTIVITY part number	Style	Positioning in tape
6-1460820-1 (ROHS Compliant) ②	Straight 	Straight 
6-1460820-2 (ROHS Compliant) ②	Right angled 	Right angled 



1:1



DWN 07OCT2005 AH CHK 12OCT2005 RL		APVD -		NAME SMD Jack, series MMCX	
PRODUCT SPEC -		APPLICATION SPEC -		SIZE A2	
MATERIAL -		WEIGHT -		CAGE CODE 00779	
DIMENSIONS: mm		TOLERANCES UNLESS OTHERWISE SPECIFIED:		DRAWING NO C=1460820	
0 PLC ±		1 PLC ±		RESTRICTED TO -	
2 PLC ±		3 PLC ±		SCALE 15:1	
4 PLC ±		ANGLES ±		SHEET 1 OF 1	
FINISH		CUSTOMER DRAWING		REV A1	

Active part numbers : contact TE CONNECTIVITY for other configuration availability

# Mouser Electronics

Authorized Distributor

Click to View Pricing, Inventory, Delivery & Lifecycle Information:

[TE Connectivity:](#)

[6-1460820-2](#)