



## Pancake 1/4" Right Angle Plugs



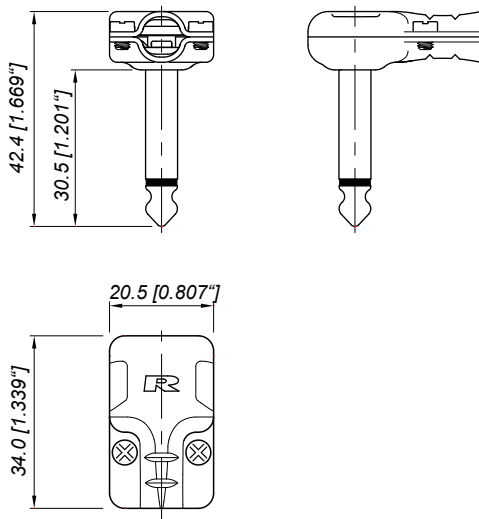
RP2RCF



RP2RCF-BAG

- 1/4" mono plug
- Right angle version
- Available with nickel or black cover
- Heavy duty cable clamp for best strain relief
- Cable O.D. up to 7 mm

### RPRCF\*



## Ordering Information

Type No.	Mono 2 pole	Description
1/4" right angle plugs		
RP2RCF	•	2 pole 6.35 mm right angle plug, pancake-type, nickel metal bottom housing and top cover, nickel plated contacts. Single packed
RP2RCF-BAG	•	2 pole 6.35 mm right angle plug, pancake-type, nickel metal bottom housing, black top cover, nickel plated contacts. Single packed

Note: Bulk packed version available with suffix "-D", to be ordered in multiples of 100 pcs.

## Specification

Phone  
plugs

Electrical	
Rated current and contact resistance	depends on mating connector
Insulation resistance	≥ 1 GΩ
Dielectric strength	> 1.0 kV dc
Mechanical	
Cable O.D.	6 - 7 mm
Wiresize	0.22 mm <sup>2</sup> / 24 AWG
Lifetime	> 1'000 mating cycles
Solderability	complies with IEC68-2-20
Operating temperature	-20°C to +70°C
Material	
Shell	Steel
Shell plating	- bottom - cover
	Nickel Nickel or Black
Contacts	Brass
Contacts plating	Nickel

Part number coding: BAG.... black handle, nickel plated contacts

# Mouser Electronics

Authorized Distributor

Click to View Pricing, Inventory, Delivery & Lifecycle Information:

[Neutrik:](#)

[RP2RCF-BAG-D](#) [RP2RCF-BAG](#) [RP2RCF](#) [RP2RCF-D](#)