

# TMC 7 B1 END CAP - Wiring bridge end cover



1022231

<https://www.phoenixcontact.com/us/products/1022231>

Please be informed that the data shown in this PDF document is generated from our online catalog. Please find the complete data in the user documentation. Our general terms of use for downloads are valid.

Protective end covers for TMC 7 single-pole bus bars



## Commercial data

Item number	1022231
Packing unit	1 pc
Note	Made to order (non-returnable)
Sales key	CL09
Product key	CLA126
GTIN	4055626515717
Weight per piece (including packing)	0.86 g
Weight per piece (excluding packing)	0.86 g
Customs tariff number	39269097
Country of origin	DE

# TMC 7 B1 END CAP - Wiring bridge end cover



1022231

<https://www.phoenixcontact.com/us/products/1022231>

## Technical data

### Product properties

Type	Cover
------	-------

### Material specifications

Color	light grey (RAL 7035)
	light grey (RAL 7035)

# TMC 7 B1 END CAP - Wiring bridge end cover

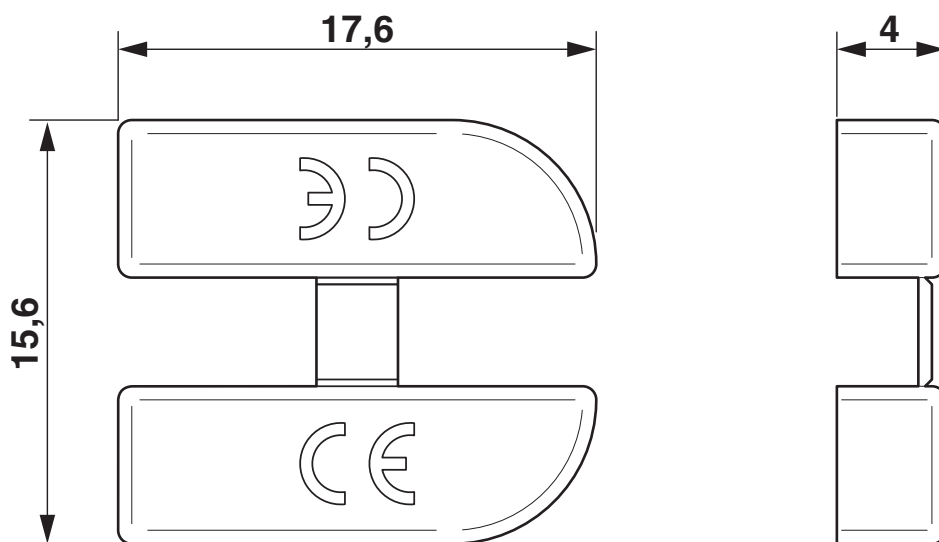
1022231

<https://www.phoenixcontact.com/us/products/1022231>



## Drawings

Dimensional drawing



# TMC 7 B1 END CAP - Wiring bridge end cover



1022231

<https://www.phoenixcontact.com/us/products/1022231>

## Approvals

To download certificates, visit the product detail page: <https://www.phoenixcontact.com/us/products/1022231>



**UL Listed**

Approval ID: FILE E 123528



**cUL Listed**

Approval ID: FILE E 123528

**cULus Listed**

# TMC 7 B1 END CAP - Wiring bridge end cover

1022231

<https://www.phoenixcontact.com/us/products/1022231>



## Classifications

### ECLASS

ECLASS-11.0	27140492
-------------	----------

# TMC 7 B1 END CAP - Wiring bridge end cover



1022231

<https://www.phoenixcontact.com/us/products/1022231>

## Environmental product compliance

### EU RoHS

Fulfills EU RoHS substance requirements	Yes, No exemptions
---	--------------------

### China RoHS

Environment friendly use period (EFUP)	EFUP-25
	An article-related China RoHS declaration table can be found in the download area for the respective article under "Manufacturer declaration". For all articles with EFUP-E, no China RoHS declaration table issued and required.

### EU REACH SVHC

REACH candidate substance (CAS No.)	No substance above 0.1 wt%
-------------------------------------	----------------------------

Phoenix Contact 2024 © - all rights reserved

<https://www.phoenixcontact.com>

Phoenix Contact USA  
586 Fulling Mill Road  
Middletown, PA 17057, United States  
(+717) 944-1300  
[info@phoenixcon.com](mailto:info@phoenixcon.com)