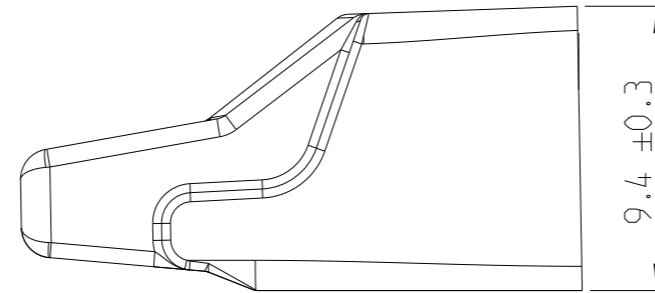
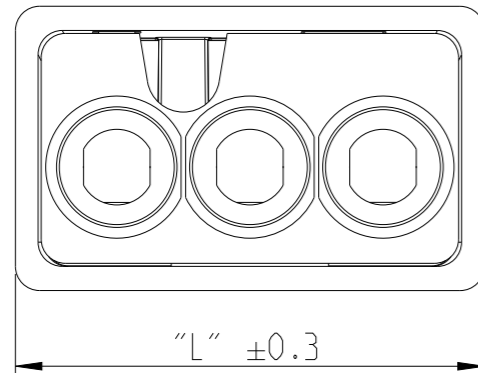


P	LTR	DESCRIPTION	DATE	DWN	APVD
A1		ADDED PN -5	08NOV2021	MZ	MZ
B		PART MODEL TYPE CODE UPDATE	24NOV2021	MHS	MZ
B1		UPDATED DRAWING	06APR2022	DM	MZ
B2		UPDATED DRAWING	21FEB2023	MZ	MZ



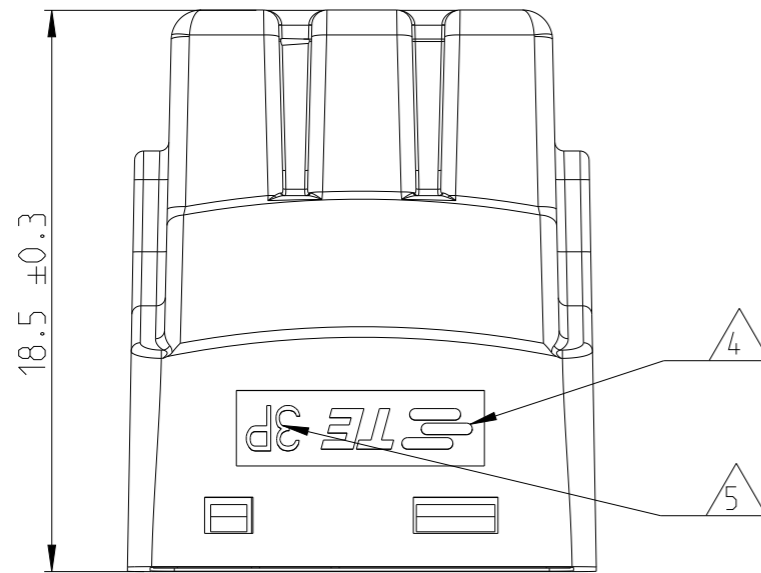
P/N 2388553-3 SHOWN FOR REFERENCE ONLY

NOTES:

- HOUSING MATERIAL:  
- POLYCARBONATE AND POLYPROPYLENE
- COLOUR: SEE TABLE
- CONTACT MATERIAL:  
- TERMINAL: TIN PLATED COPPER ALLOY  
- SPRING: STEEL

△4 TE LOGO

△5 MODEL TYPE CODE



MODEL TYPE	LENGTH DIM "L"	COLOUR	NO. OF POSITIONS	DESCRIPTION	PART NO.
5P	24.3	TRANSPARENT / BLUE	5	PUSH-IN CONNECTOR, 5 POSITIONS	2388553-5
4P	19.9	TRANSPARENT / YELLOW	4	PUSH-IN CONNECTOR, 4 POSITIONS	2388553-4
3P	15.5	TRANSPARENT / ORANGE	3	PUSH-IN CONNECTOR, 3 POSITIONS	2388553-3
2P	11.1	TRANSPARENT / RED	2	PUSH-IN CONNECTOR, 2 POSITIONS	2388553-2

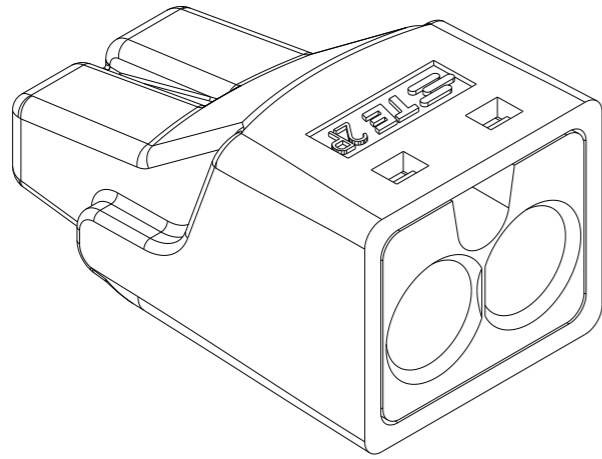
THIS DRAWING IS A CONTROLLED DOCUMENT.

DIMENSIONS: mm		TOLERANCES UNLESS OTHERWISE SPECIFIED:	
	0 PLC	±0.10	
	1 PLC	±0.15	
	2 PLC	±0.20	
	3 PLC	±0.25	
	4 PLC	±0.30	
	ANGLES	±	
MATERIAL		FINISH	
-	-	-	-

DWN	M. ZUCCA	10MAR2021
CHK	M. ZUCCA	10MAR2021
APVD	M. ZUCCA	21JUL2021
PRODUCT SPEC	-	-
APPLICATION SPEC	-	-
WEIGHT	-	-
CUSTOMER DRAWING		

TE Connectivity		NAME		PUSH-IN CONNECTOR, 2, 3, 4 AND 5 POS
		SIZE	CAGE CODE	
DRAWING NO		RESTRICTED TO		
A3		00779		©=2388553
SCALE		SHEET		REV
4:1		1 OF 2		B2

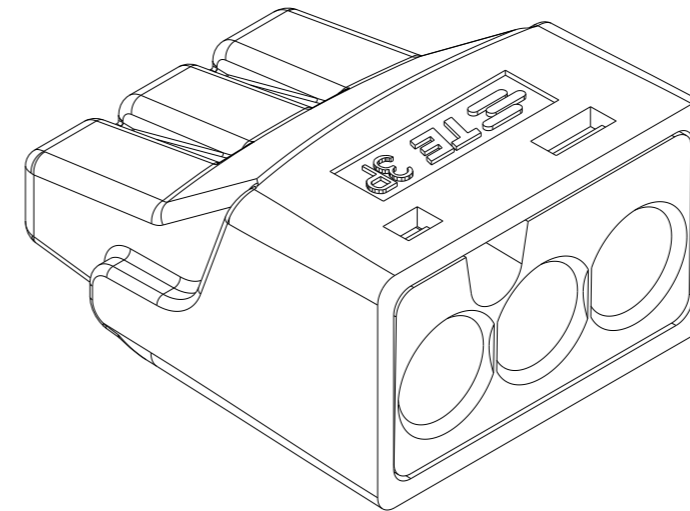
P/N 2388553-2 AS SHOWN



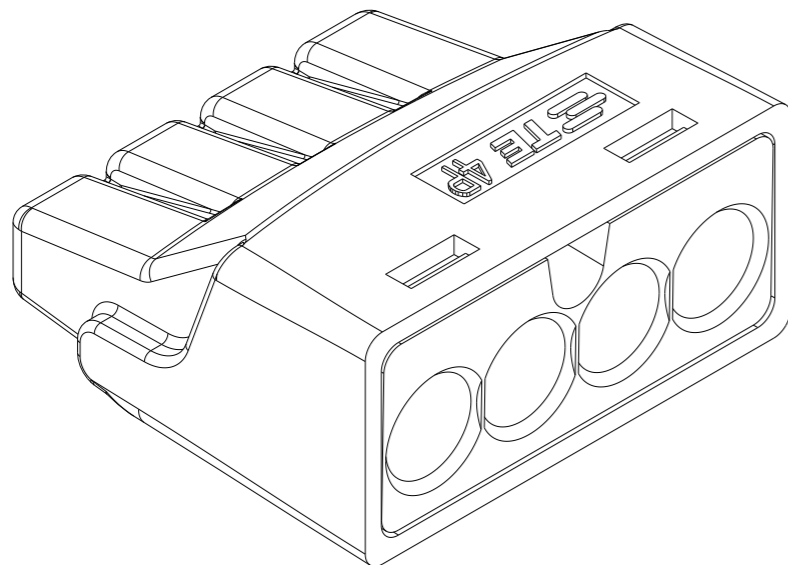
REVISIONS

P	LTR	DESCRIPTION	DATE	DWN	APVD
-	-	SEE SHEET 1	-	-	-

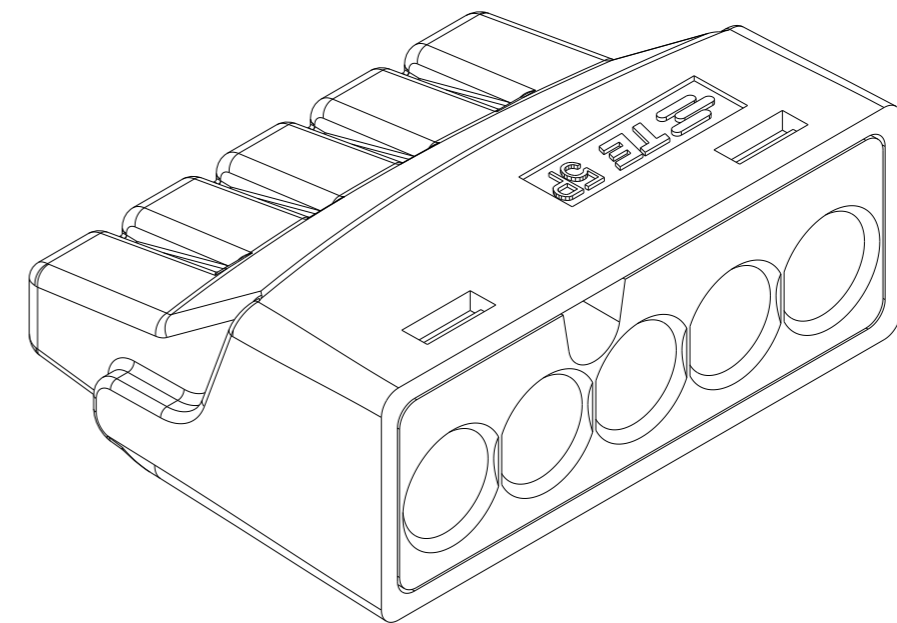
P/N 2388553-3 AS SHOWN



P/N 2388553-4 AS SHOWN



P/N 2388553-5 AS SHOWN



THIS DRAWING IS A CONTROLLED DOCUMENT.

DIMENSIONS: mm	
MATERIAL	FINISH
-	-

TOLERANCES UNLESS OTHERWISE SPECIFIED:	
0 PLC	±0
1 PLC	±0
2 PLC	±0
3 PLC	±0
4 PLC	±0
ANGLES	±
FINISH	-

DWN	M. ZUCCA	10MAR2021
CHK	M. ZUCCA	10MAR2021
APVD	M. ZUCCA	21JUL2021
PRODUCT SPEC	-	-
APPLICATION SPEC	-	-
WEIGHT	-	-
CUSTOMER DRAWING		



NAME PUSH-IN CONNECTOR, 2, 3, 4 AND 5 POS				RESTRICTED TO
SIZE	CAGE CODE	DRAWING NO	-	
A3	00779	©-2388553	-	
SCALE	SHEET	OF	REV	
4:1	2	2	B2	