

Pressure sensors

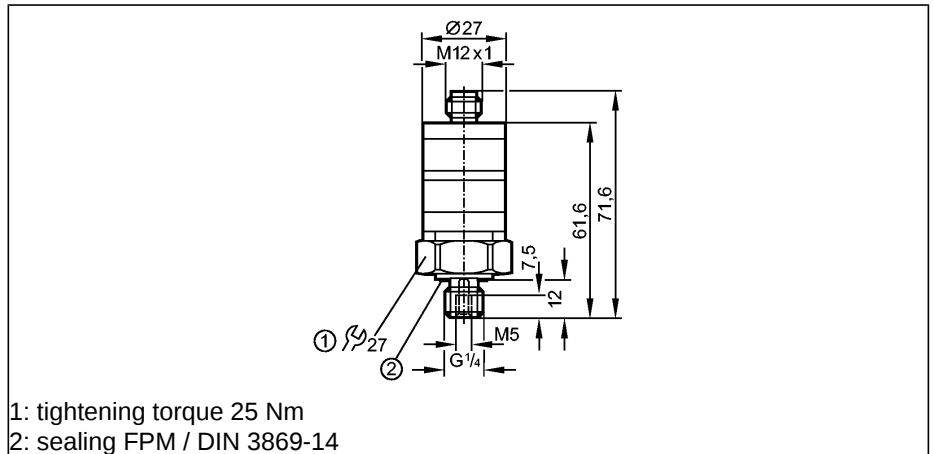
PK7520

Electronic pressure monitor
PK75

Connector
Process connection G $\frac{1}{4}$ A / M5 I

2 switching outputs

Measuring range
0...400 bar
0...5800 PSI



1: tightening torque 25 Nm
2: sealing FPM / DIN 3869-14



Made in Germany

Application
Electrical design
Output

Operating voltage	[V]
Current rating	[mA]
Short-circuit protection	
Reverse polarity protection	
Overload protection	
Voltage drop	[V]
Current consumption	[mA]

Pressure rating	
Bursting pressure min.	

Setting range	
Set point, SP	
Hysteresis	

Adjustment of the switch point

Deviations (% of value of measuring range)

Switch point accuracy	
Characteristics deviation	
Repeatability	
Temperature drift (/ 10 K)	
in the temperature range	

Type of pressure: relative pressure
Liquids and gases
DC PNP
2 x normally open

Operating voltage	9.6...32 DC
Current rating	500
Short-circuit protection	pulsed
Reverse polarity protection	yes
Overload protection	yes
Voltage drop	< 2
Current consumption	< 25

Pressure rating	600 bar	8700 PSI
Bursting pressure min.	1600 bar	23200 PSI

Setting range	12...400 bar	174...5800 PSI
Hysteresis	8 bar	116 PSI

Adjustment of the switch point: setting rings

Switch point accuracy	< ± 2.5 *
Characteristics deviation	< ± 1.5 (BFSL) / < ± 2.5 (LS) **
Repeatability	< ± 0.5
Temperature drift (/ 10 K)	< ± 0.5
in the temperature range	0...80

PK7520

Switching frequency [Hz]	100
Ambient temperature [°C]	-25...80
Medium temperature [°C]	-25...80
Storage temperature [°C]	-40...100
Protection	IP 67, III
Insulation resistance [MΩ]	> 100 (500 V DC)
Shock resistance	DIN IEC 68-2-27: 50 g (11 ms)
Vibration resistance	DIN IEC 68-2-6: 20 g (10...2000 Hz)
Switching cycles min.	50 million
EMC	EN 61000-4-2 ESD: 4 kV CD / 8 kV AD EN 61000-4-3 HF radiated: 10 V/m EN 61000-4-4 Burst: 2 kV EN 61000-4-6 HF conducted: 10 V
MTTF [Years]	513
Housing materials	PBT (Pocan); PC (Makrolon); FPM (Viton); stainless steel 316L / 1.4404
Materials (wetted parts)	stainless steel 316L / 1.4404; FPM (Viton)
Display	Switching status 2 x LED yellow
Connection	M12 connector
Weight [kg]	0.095
Remarks	*) Setting accuracy **) BFSL = Best Fit Straight Line / LS = Limit Value Setting

Wiring

