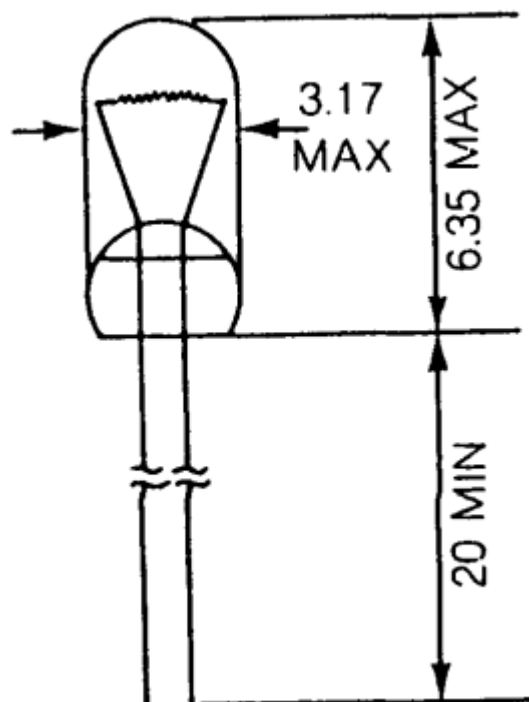


Datasheet

Wire Terminal Filament Indicator Lamp, Clear, 24 V, 20 mA, 10000h

RS Stock number [360-7929](#)

Drawing (mm):



Specifications:

Bulb Diameter:	3.17mm max.
Length:	6.35mm max.
Base Type:	Wire Terminal
Voltage:	24V
Amperage:	20mA \pm 10%
Filament Type:	CC-2F Vacuum Type
MSCP:	0.05 CP \pm 20%
Life Hours:	10000Hrs