

6

5

4

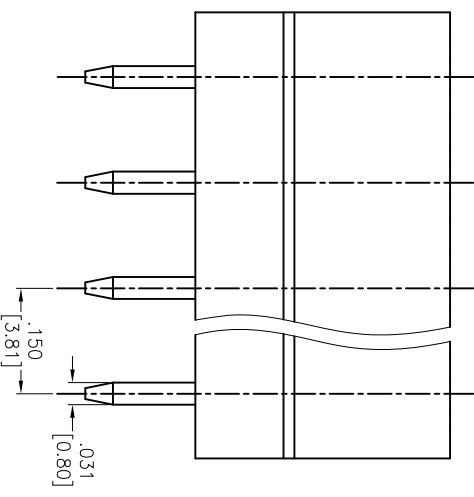
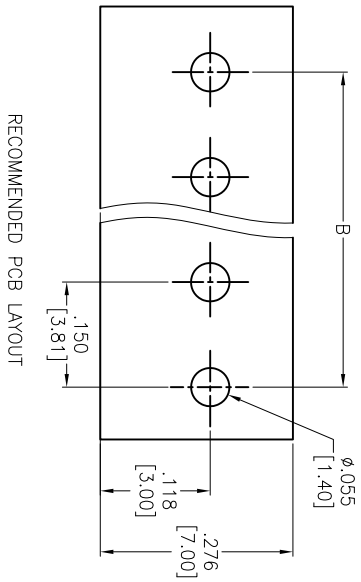
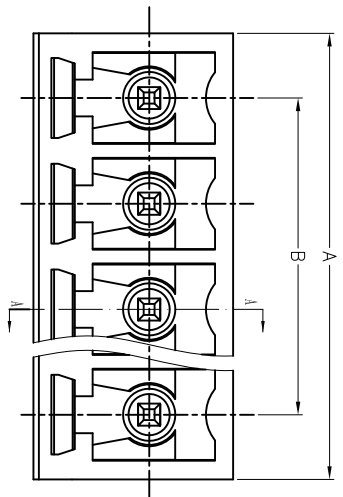
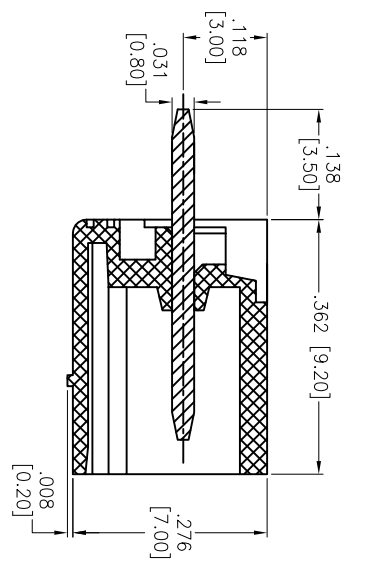
3

2

1

APPROVED: \_\_\_\_\_  
 DATE: \_\_\_\_\_ TITLE: \_\_\_\_\_

Rev	AWO #	Description	Date	Appr
-		RELEASED	5/5/14	
A		REVISED SPEC.	6/4/14	HRVY



**SPECIFICATIONS:**  
 Material:  
 Insulator: PA66, rated UL 94V-0  
 Insulator color: Green  
 Contact: Brass, Tin plated

**Electrical:**  
 Operation voltage: 300 VAC max  
 Current rating: 8 Amps max

**Environmental:**  
 Contact resistance: 20 mohms max  
 Insulation resistance: 500 Mohms min @ 500 VDC  
 Dielectric withstanding voltage: 2,000 VAC for 1 minute

**Operating temperature:** -40°C to +105°C  
 Lead free, RoHS compliant.



Positions: 02 thru 24  
 A = .150 [3.81] x No. of Spaces + .181 [4.60]  
 B = .150 [3.81] x No. of Spaces

UNLESS OTHERWISE SPECIFIED  
 ALL DIMENSIONS ARE INCHES [MM]  
 TOLERANCES: EXCEPT AS NOTED  
 INCHES Holes ±.10  
 .XX ±.020  
 .XXX ±.015  
 .XXX ±.010

**ADAM TECH**  
 909 Rahway Avenue, Union, NJ 07083  
 Phone: 908-687-5000 Fax: 908-687-5710

APPROVALS	DATE	TITLE	SIZE	PART NO.	REV.
DRAWN	HR	5/5/14		EBRA-XX-B	A
CHECKED	SY	5/5/14	X		
APPROVED					

6

5

4

3

2

1