

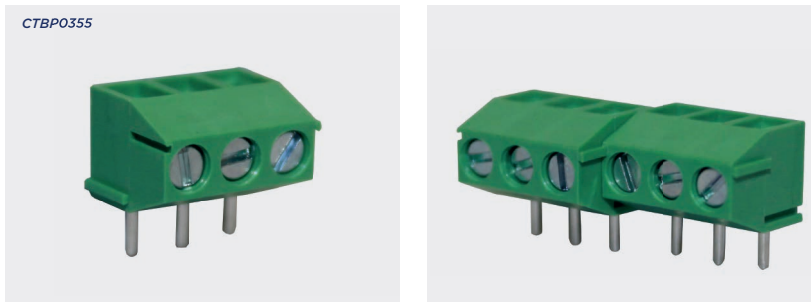


3.5mm low profile 90° wire protector terminal blocks

Product overview

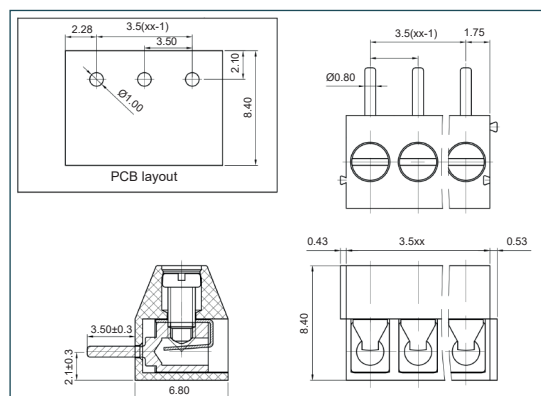
- 2-12 pole interlocking
- 4-12 pole pre-assembled
- Ultra low profile
- Moulded in green UL94-V0 flame retardant PA
- Wire protector terminals
- 0.5-1.0mm² (24-18AWG) cable
- Captive screws
- Guided pin alignment
- Double interlock mechanism for increased strength
-   approved

CTBP0355



SPECIFICATION	
Rating	UL=10A/300V, VDE=10A/250V
Dielectric strength	≥1.25kV
Impulse withstand voltage	2.0kV
Working temperature	-40°C to +105°C
Moulding	UL94-V0 flame retardant PA66
Pin/terminal	Tinned, nickel plated brass
Rising clamp	Tinned, nickel plated brass
Screw/torque	M2 steel zinc plated, 0.2Nm
Recommended PCB hole size	ø1.3mm

PART NO.	POLES	LENGTH
CTBP0355/2	2	7mm
CTBP0355/3	3	10.5mm
CTBP0355/4	4	14mm
CTBP0355/5	5	17.5mm
CTBP0355/6	6	21mm
CTBP0355/7	7	24.5mm
CTBP0355/8	8	28mm
CTBP0355/9	9	31.5mm
CTBP0355/10	10	35mm
CTBP0355/11	11	38.5mm
CTBP0355/12	12	42mm



KEY FEATURES

Ultra low profile | Double interlock mechanism | Wire protector terminals



081

TERMINAL STRIPS

095

WIRE TO BOARD
CONNECTORS

100

CIRCULAR
CONNECTORS

151

IP68 CONNECTORS

158

INTERFACE
MODULES AND
RELAY BASES