



Pressure Sensor, 0-2MPa, Gauge, 3.3VDC, I2C signal

## PS8808 Series IOT Pressure Sensors Technical Data Sheet

**PS8808-2000k3CBNG**

### Features

- Pressure range 0-2MPa
- Gauge pressure sensor
- Constant current / Constant Voltage power supply
- Output in I<sup>2</sup>C interface and protocol
- Stainless Steel 316L

### Applications

- Industrial process control
- Gas, liquid pressure measurement
- Pressure checking meter
- Pressure calibrator
- Cooling equipment and air conditioning system
- Aviation and navigation inspection

### Description

PS8808-2000k3CBNG Digital Output Pressure Transducer is a piezoresistive pressure sensor with 316L stainless steel corrugated diaphragm and isolated oil-filling construction. The sensing package utilizes silicone oil to transfer pressure from the 316L stainless steel diaphragm to the sensing die. The pressure is transformed to an analog electrical signal. With an integrated circuit for temperature compensation and nonlinear correction, it provides output data conforming to I<sup>2</sup>C interface protocol. It is widely used for various liquid pressure measurements compatible with stainless steel and viton.

### Product Configuration

Application:	Pressure Sensor
Pressure Type:	Gauge
Electrical Connector:	5-pin PH2.0

### General Specifications

Description	Minimum	Typical	Maximum	Unit
Pressure Range	0		2	MPa
Accuracy (Pressure)		±0.5		%Full Scale
Accuracy (Temperature)		±1.5		°C
Long Term Stability		±0.3		%Full Scale/year
Overpressure		1.5		xFull Scale

### Electrical Specifications

Description	Minimum	Typical	Maximum	Unit
Output Signal		5%-95%		
Power Supply/Excitation Level		3.3±0.1		VDC
Power Supply Current		2.5		mA
Sampling Interval			1.5	msec



an INFINIT® brand



Pressure Sensor, 0-2MPa, Gauge, 3.3VDC, I2C signal

## PS8808 Series IOT Pressure Sensors Technical Data Sheet

PS8808-2000k3CBNG

### Material Specifications

Description	Material
Diaphragm	Stainless Steel 316L
Plug Housing	Stainless Steel 316L

### Mechanical Specifications

#### Electrical Connection

Wire Color	(I <sup>2</sup> C) Standard Mode
Black	-IN
Red	+IN
Blue	SCL
White	SDA
Yellow	NULL



### Environmental Specifications

Temperature (Operating)	-10°C to 80°C
Temperature (Storage)	-40°C to 125°C
Shock	10g, 20Hz-2000Hz
Impact	100g, 11ms
Certifications	ROHS Compliant CE Compliant

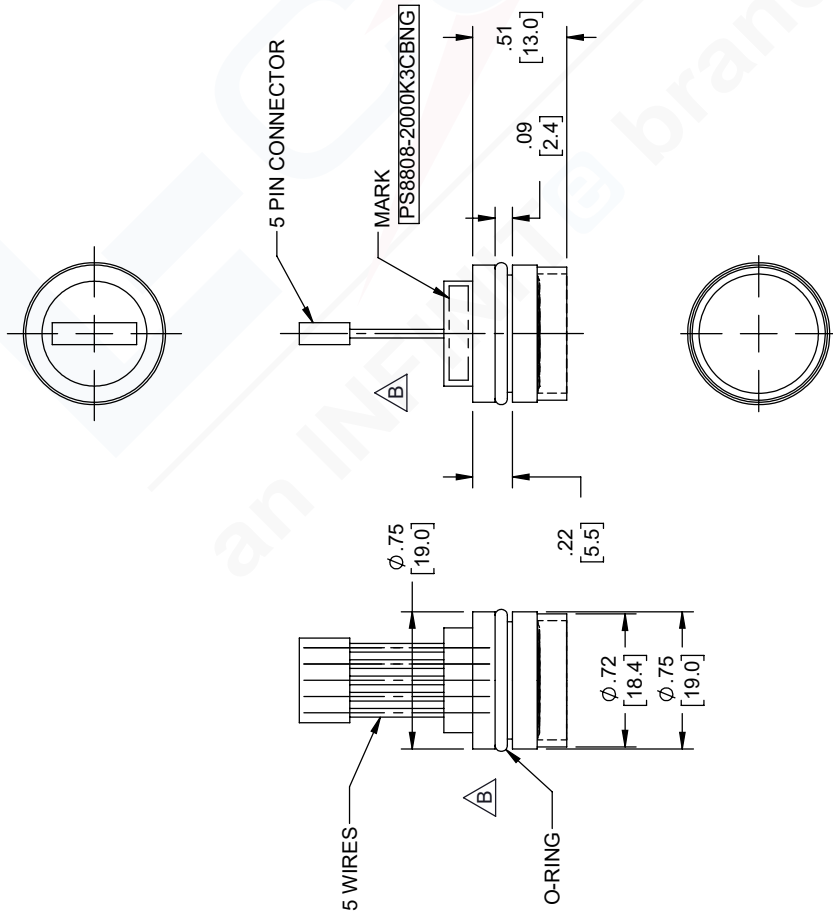
The Infinite Electronics portfolio includes coaxial cable assemblies, connectors, adapters and custom products, as well as our wireless product line which includes antennas, RF amplifiers, lightning and surge protectors, and NEMA rated enclosures.

The information contained in this document is accurate to the best of our knowledge and representative of the part described herein. It may be necessary to make modifications to the part and/or the documentation of the part, in order to implement improvements. L-com reserves the right to make such changes as required. Unless otherwise stated, all specifications are nominal. L-com does not make any representation or warranty regarding the suitability of the part described herein for any particular purpose, and L-com does not assume any liability arising out of the use of any part or documentation.

# PS8808-2000k3CBNG CAD Drawing

Pressure Sensor, 0-2MPa, Gauge, 3.3VDC, I2C signal

REVISIONS			
REV.	DESCRIPTION	DATE	APPROVED
B	ECN 10065; DELETED DIM [4.0] & [14.5]	08/28/19	TOZA



UNLESS OTHERWISE SPECIFIED LENGTH DIMENSIONS AND ANGLES DIMENSIONS IN MILLIMETERS		THE INFORMATION AND DESIGN IN THIS DOCUMENT IS THE PROPERTY OF L-CORPORATION. ALL RIGHTS RESERVED.	
TOLERANCES: .XX±.2 [5.08]   FRACTIONS ± 1/32 .XX±.01 [25]   ANGLES ± 1° .XXX±.005 [13]		SHEET 1 OF 1	
ALL DIMENSIONS SHOWN ARE FOR REFERENCE ONLY.		SCALE N/A	
THIRD-ANGLE PROJECTION		www.L-com.com   e-mail: CustomerService@L-com.com	
SIZE	CAGE	DRAWN BY	PART NUMBER
A	43321	DZINN	PS8808-2000K3CBNG
			REV
			B

**L-com**  
an INFINITT brand

50 High Street, West Mill, 3rd Floor, Suite #30  
North Andover, MA 01845 USA  
Phone: 1 800 341 5266 | 1 978 682 6936  
Fax: 1 978 689 9484  
www.L-com.com | e-mail: CustomerService@L-com.com

THESE COMMODITIES, TECHNOLOGY OR SOFTWARE WERE EXPORTED FROM THE UNITED STATES IN ACCORDANCE WITH THE EXPORT ADMINISTRATION REGULATIONS. DIVERSION CONTRARY TO U.S. LAW PROHIBITED.