

6

5

4

3

2

1

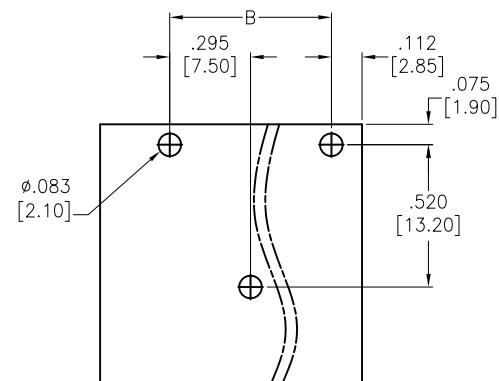
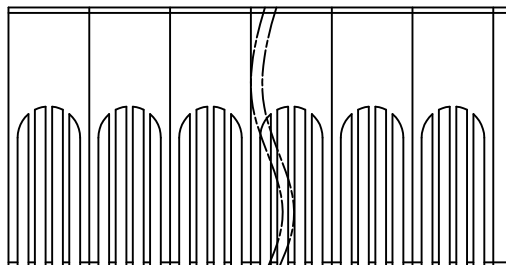
APPROVED: _____

DATE: _____ TITLE: _____

Rev	AWO #	Description	Date	Appr
-		RELEASED	11/26/18	

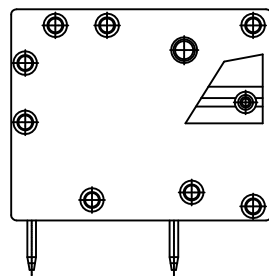
D

D

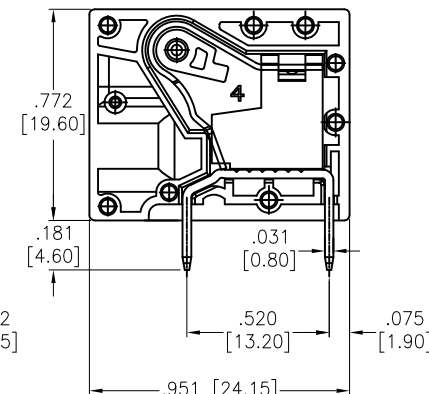
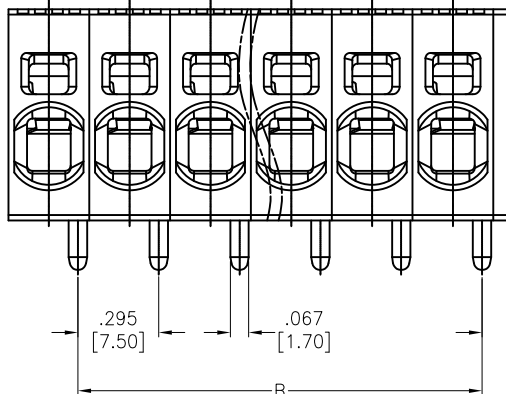


C

C



01P 02P 03P 04P xxP



B

B

SPECIFICATIONS:

Material:
 Insulator: PA, rated UL 94V-0
 Insulator color: Green
 Contact: Copper Alloy
 Electrical:
 Voltage rating: 600 V
 Current rating: 40 A
 Dielectric withstanding voltage: 2,200 VAC for 1 minute
 Mechanical:
 Strip length: 15~16mm
 Wire Range: 24~8 AWG
 Temperature Rating:
 Operating temperature: -40°C to +105°C
 Environmental:
 Lead free, RoHS compliant.

Poles: 01 thru XXP
 A = .295 [7.50] X No. of Positions +.071 [1.80]
 B = .295 [7.50] X No. of Spaces



UNLESS OTHERWISE SPECIFIED ALL DIMENSIONS ARE INCHES [MM] TOLERANCES: EXCEPT AS NOTED		ADAM TECH		909 Rahway Avenue, Union, NJ 07083 Phone: 908-687-5000 Fax: 908-687-5710	
INCHES		HOLES		TITLE	
.X ± .10	Ø.X ± .10	SPRING CLAMP EURO BLOCK, .295 [7.50] PITCH			
.XX ± .020	Ø.XX ± .015	APPROVALS		DATE	
.XXX ± .015	Ø.XXX ± .010	DRAWN	AY	11/26/18	
		CHECKED	AC	11/26/18	
		APPROVED			
SIZE	PART NO.	REV.			
X	EB167A-XX-M	-	REF:	S00067C	SCALE: NTS
		SHEET		1 OF 1	

6

5

4

3

2

1

A

A